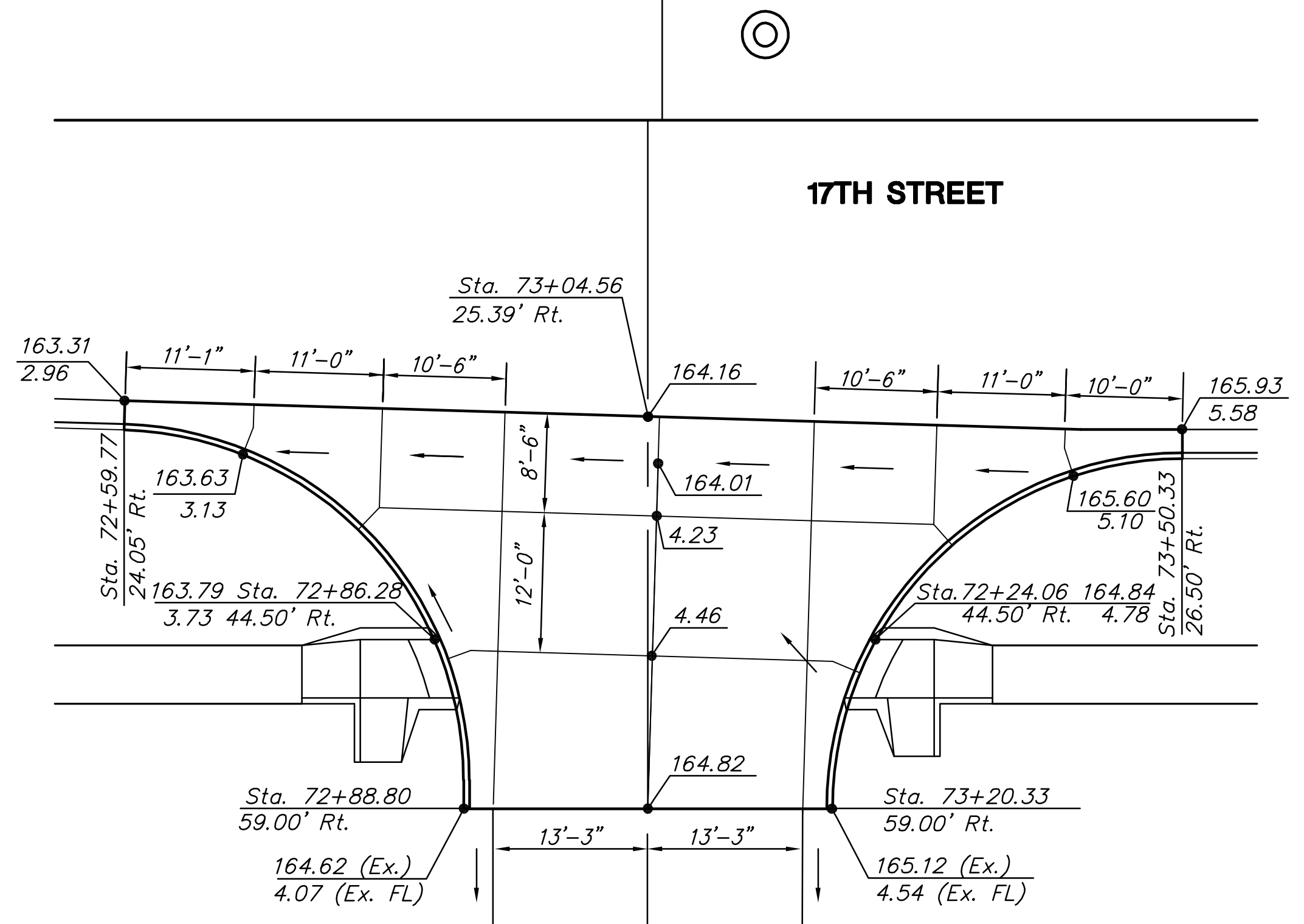
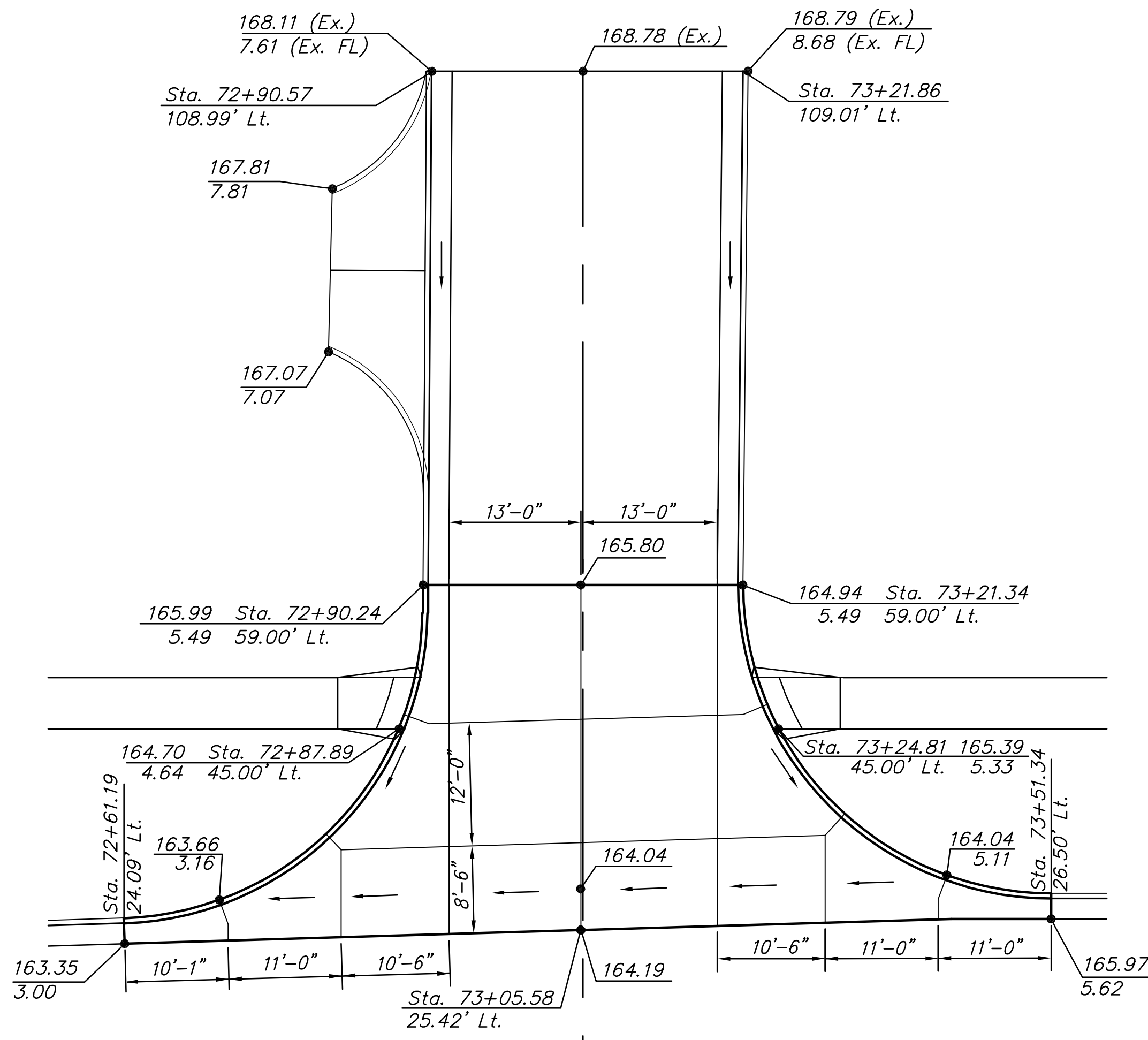


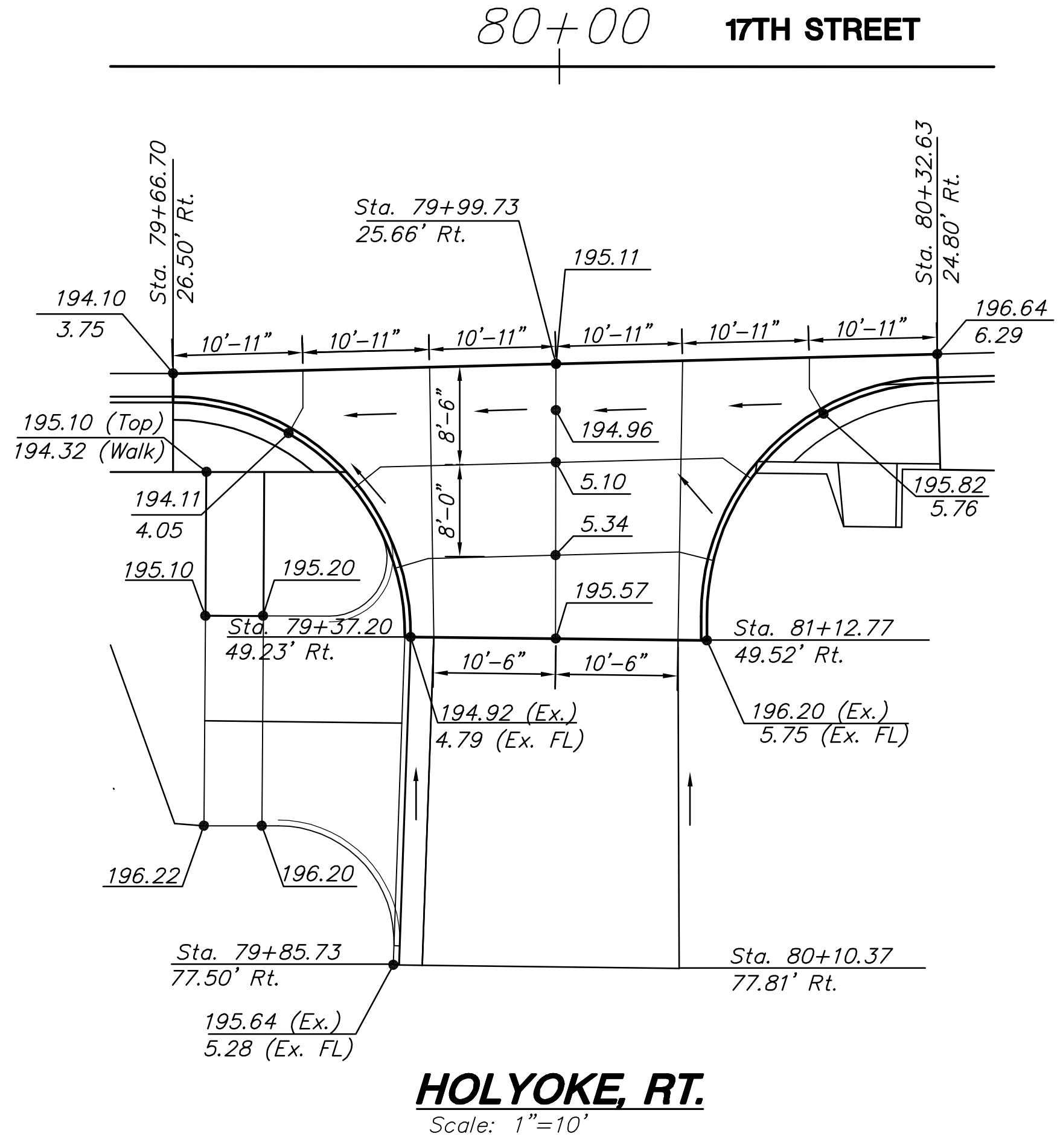
STATE	PROJECT NO.	YEAR	SHEET NO.	SHEETS
KANSAS	87 N-0349-01	2009	38	133

**MKEC**  
ENGINEERING  
CONSULTANTS, INC.  
411 N. WEBB ROAD  
WICHITA, K.S. 67206  
316-684-9600

**17th STREET  
FROM GROVE TO HILLSIDE**



**LORRAINE LT. & RT.**  
Scale: 1"=10'



**HOLYOKE RT.**  
Scale: 1"=10'

**LEGEND**

← Valley Gutter Flow Location

$\frac{100.00}{00.00}$  Back of Curb Elevation  
Flow Line Elevation

$\frac{100.00}{00.00}$  Back of Curb Elevation  
High Edge of Curb Elevation

See Sheet 39 for Valley Gutter Details. See Sheet 3 for Side Road Typical Sections.

**VALLEY GUTTER DETAILS**  
SHEET TITLE  
87 N-0349-01  
PROJECT NUMBER

JRA  
DESIGN BY  
JSB  
DRAWN BY  
JRA  
CHECKED BY

ISSUED  
May 28, 2009  
REVISED

SHEET NO.  
**38 of 133**

PLOT: Thursday, May 28, 2009 @ 10:34AM

J:\CIVIL\04179\DWG\PAV\04179-INT5.DWG