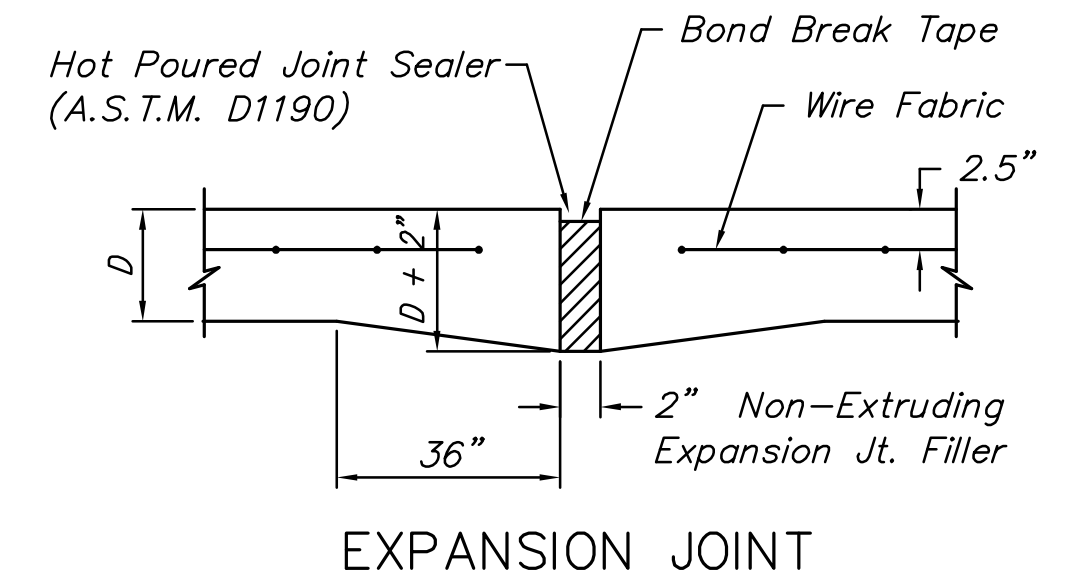


STATE	PROJECT NO.	YEAR	SHEET NO.	SHEETS
KANSAS	87 N-0349-01	2009	39	133

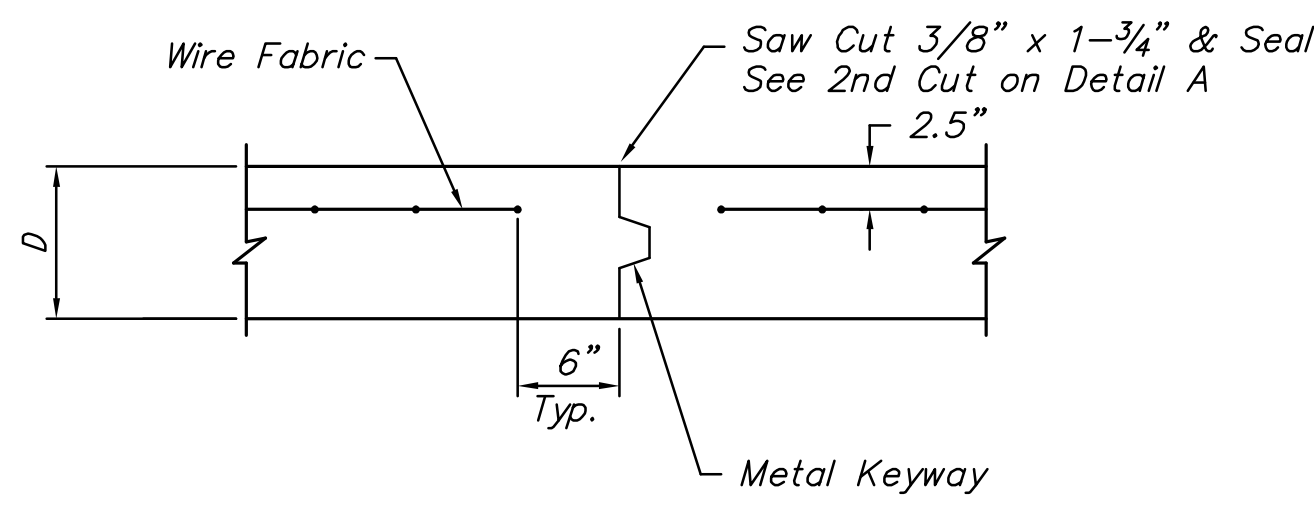
MKEC
ENGINEERING
CONSULTANTS, INC.
411 N. WEBB ROAD
WICHITA, K.S. 67206
316-684-9600

**37TH STREET IMPROVEMENTS
FROM
MAIZE ROAD TO TYLER ROAD**

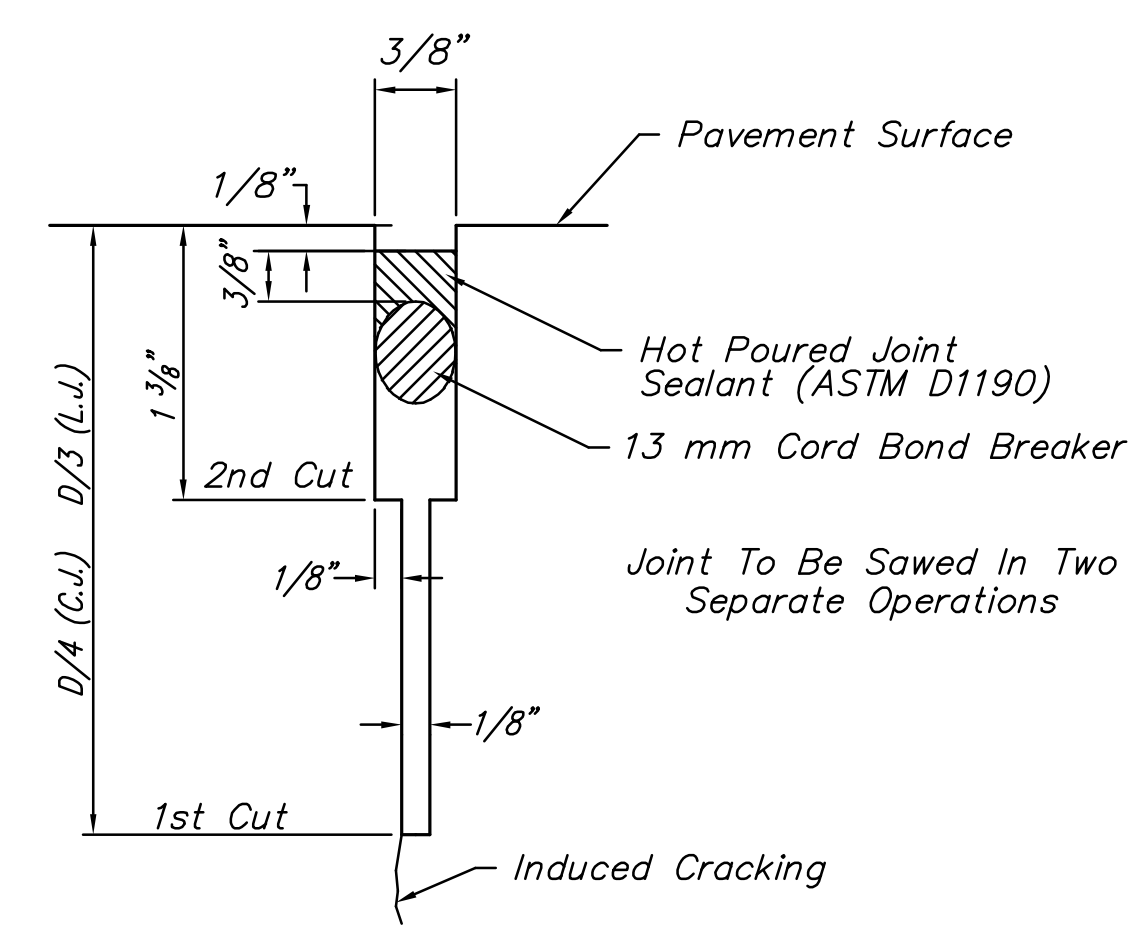


EXPANSION JOINT

NOTE: Extra Thickness to be Subsidiary to Price of Square Yards Pavement

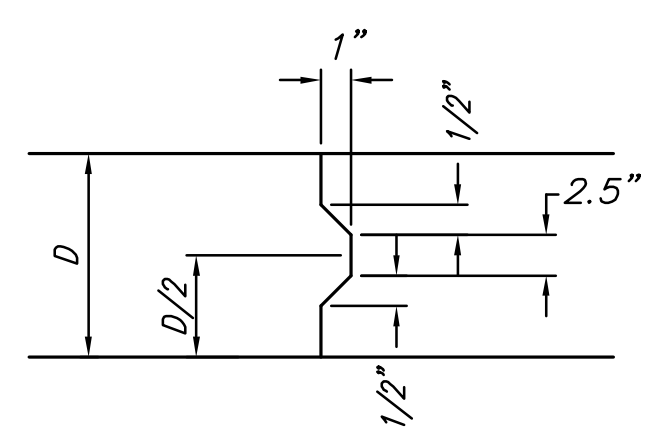


OPTIONAL CONTRACTION JOINT

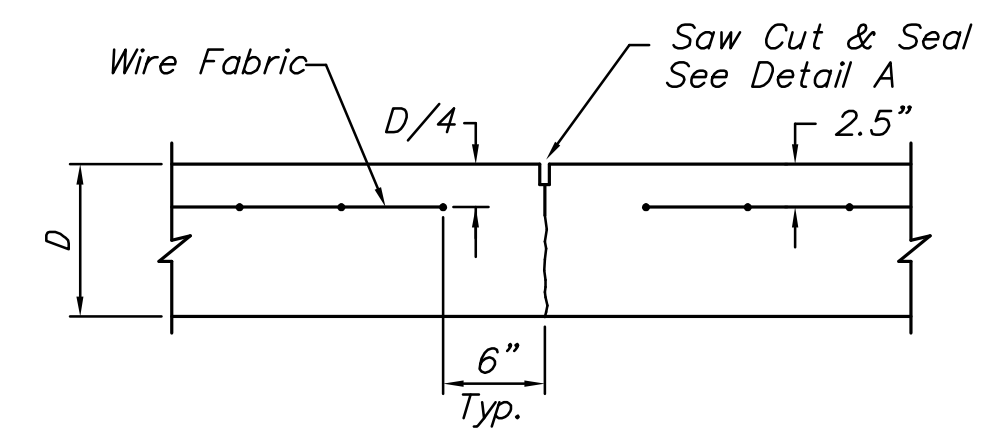


SAW JOINT DETAIL

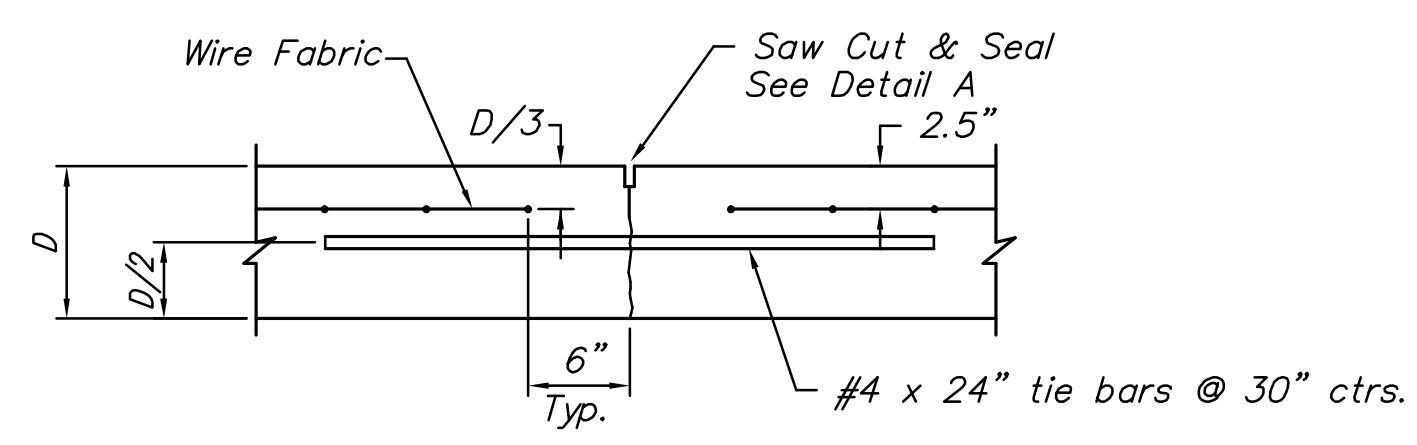
D = 8"



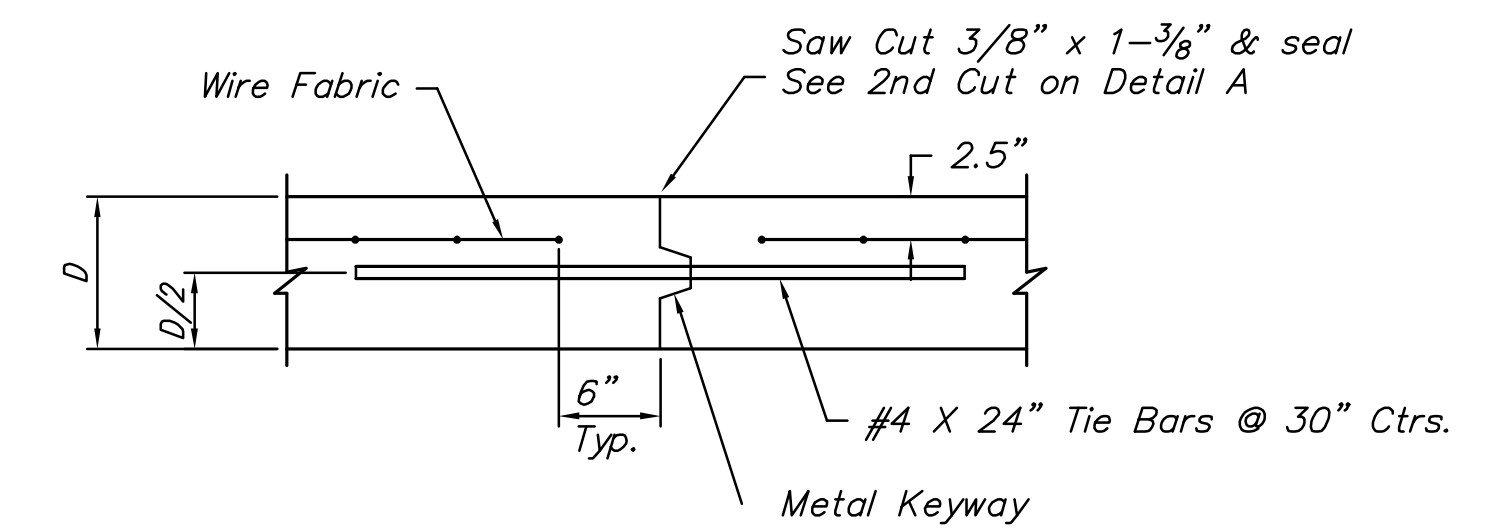
KEYWAY DETAIL



CONTRACTION JOINT DETAIL (C.J.)

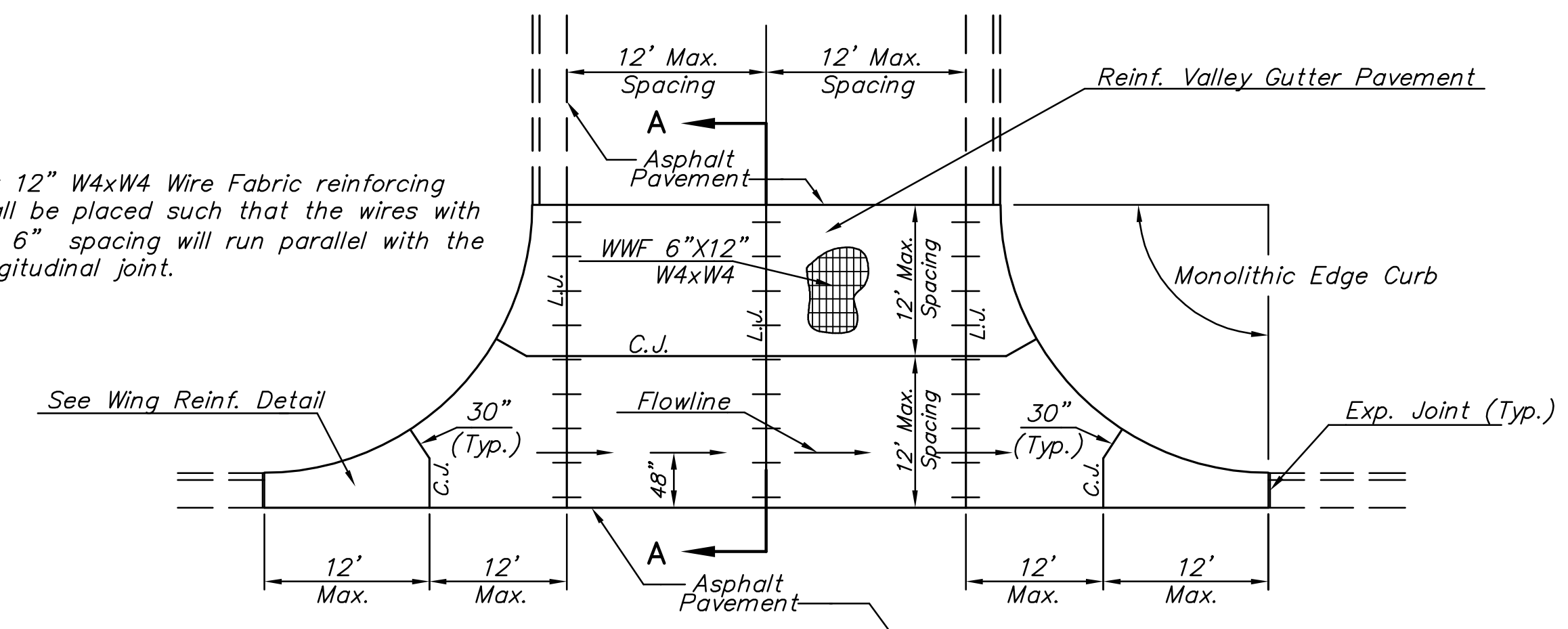


LONGITUDINAL JOINT DETAIL (L.J.)

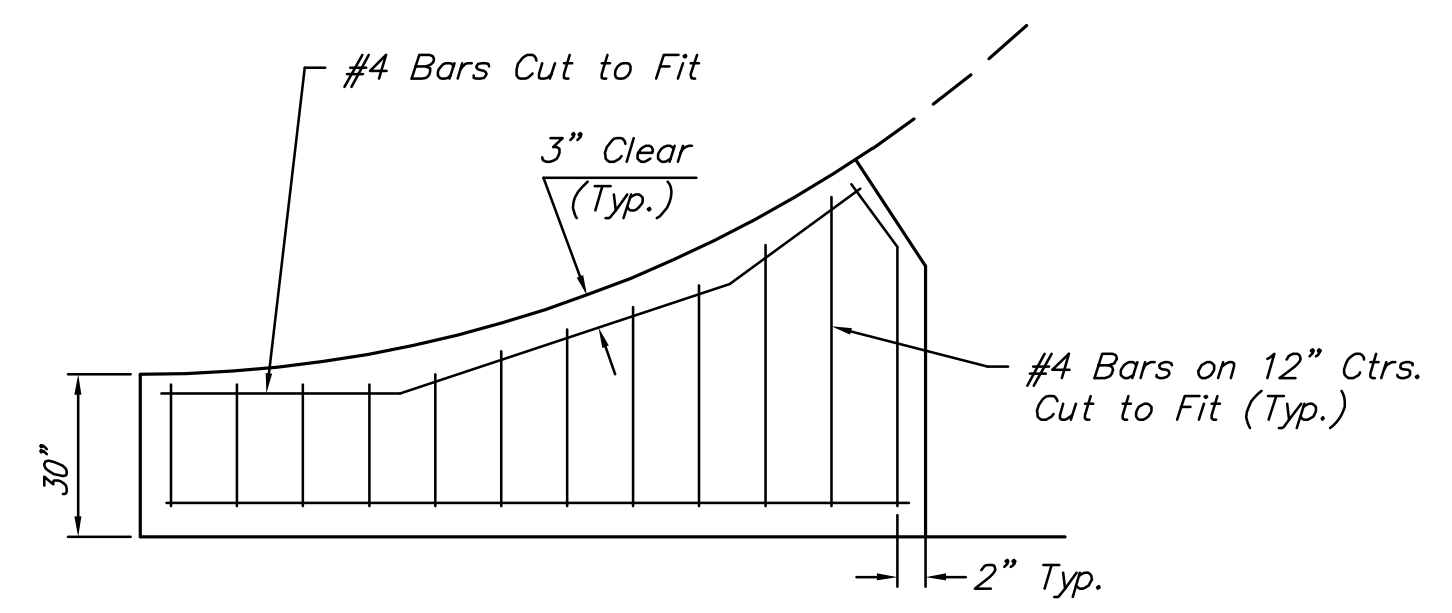


OPTIONAL LONGITUDINAL JOINT DETAIL (L.J.)

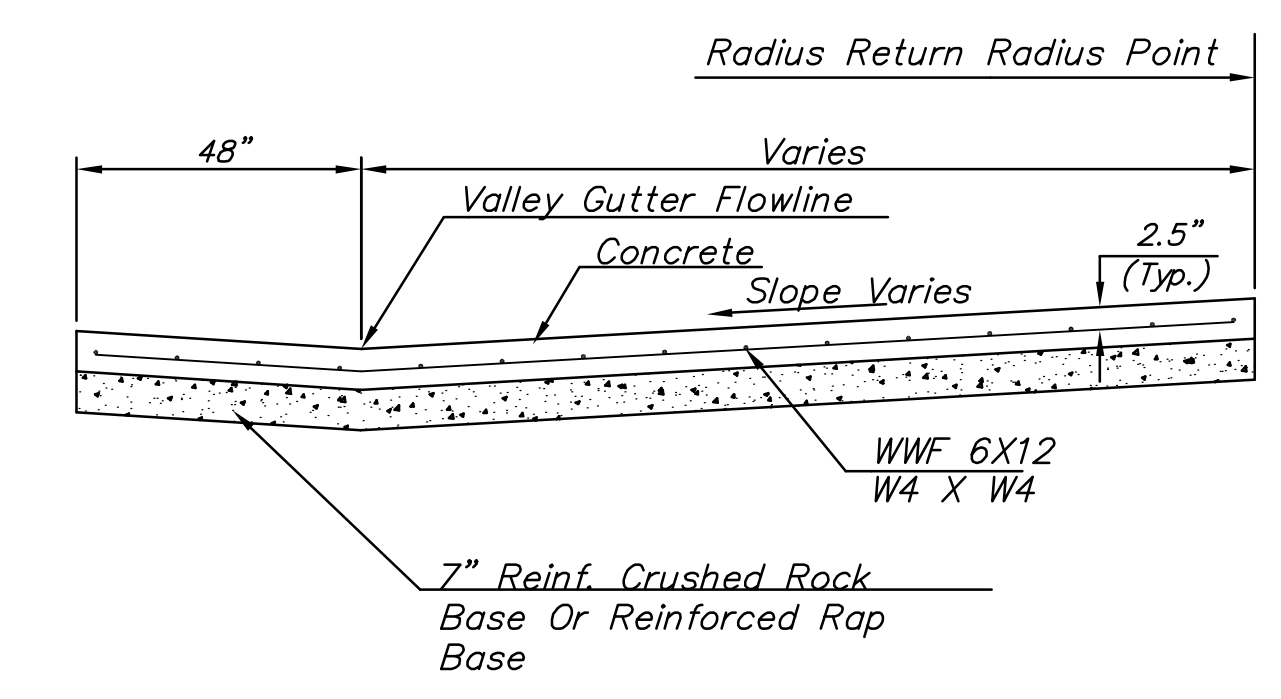
6"x 12" W4xW4 Wire Fabric reinforcing shall be placed such that the wires with the 6" spacing will run parallel with the longitudinal joint.



PLAN



WING REINFORCING DETAIL



SECTION A-A

REINFORCED VALLEY GUTTER DETAIL

PLOTTED: Thursday, May 28, 2009 @ 10:42AM

J:\Civil\04179\dwg_details\04179VgDetails

PAVING PLAN
Sta. 48+43.75
to
Sta. 54+00
SHEET TITLE
47241693
PROJECT NUMBER

JRA
DESIGN BY
JSB
DRAWN BY
JRA
CHECKED BY

ISSUED
May 28, 2009
REVISED

SHEET NO.
39 of 133