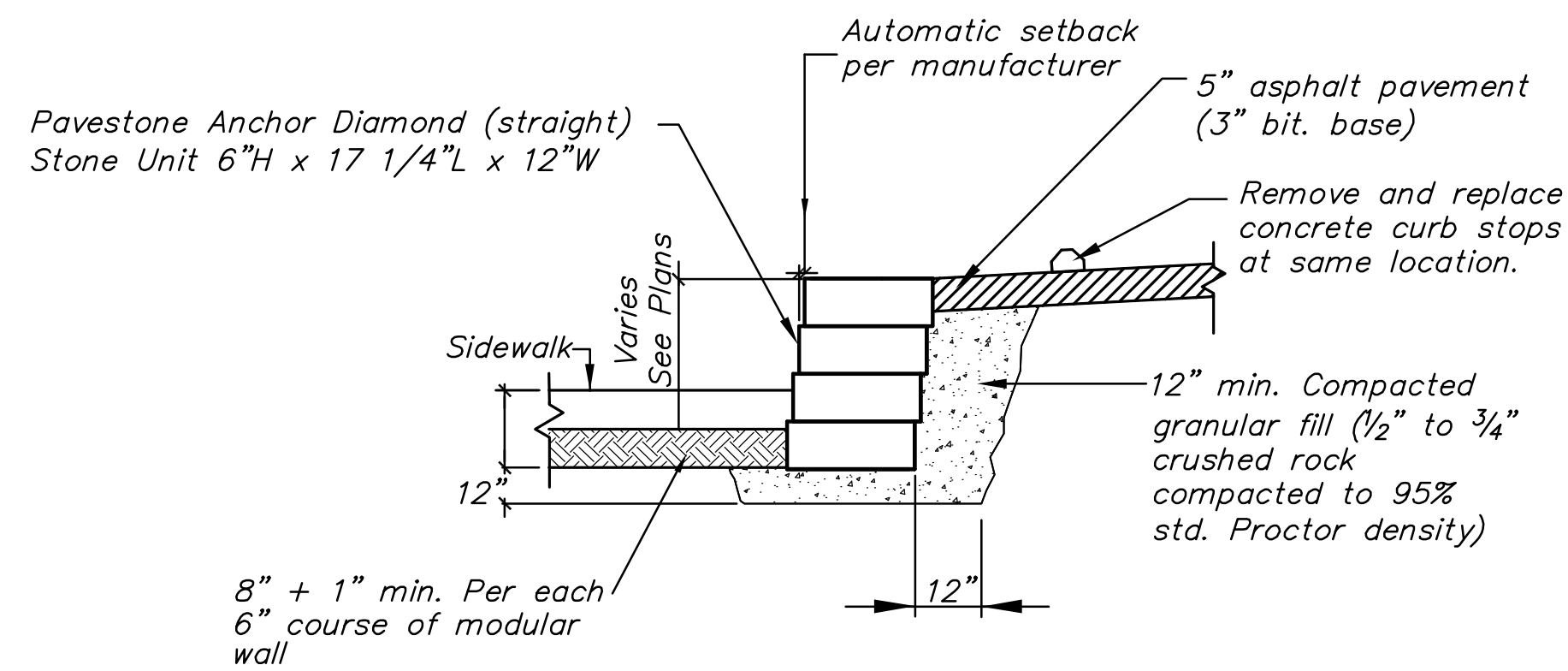


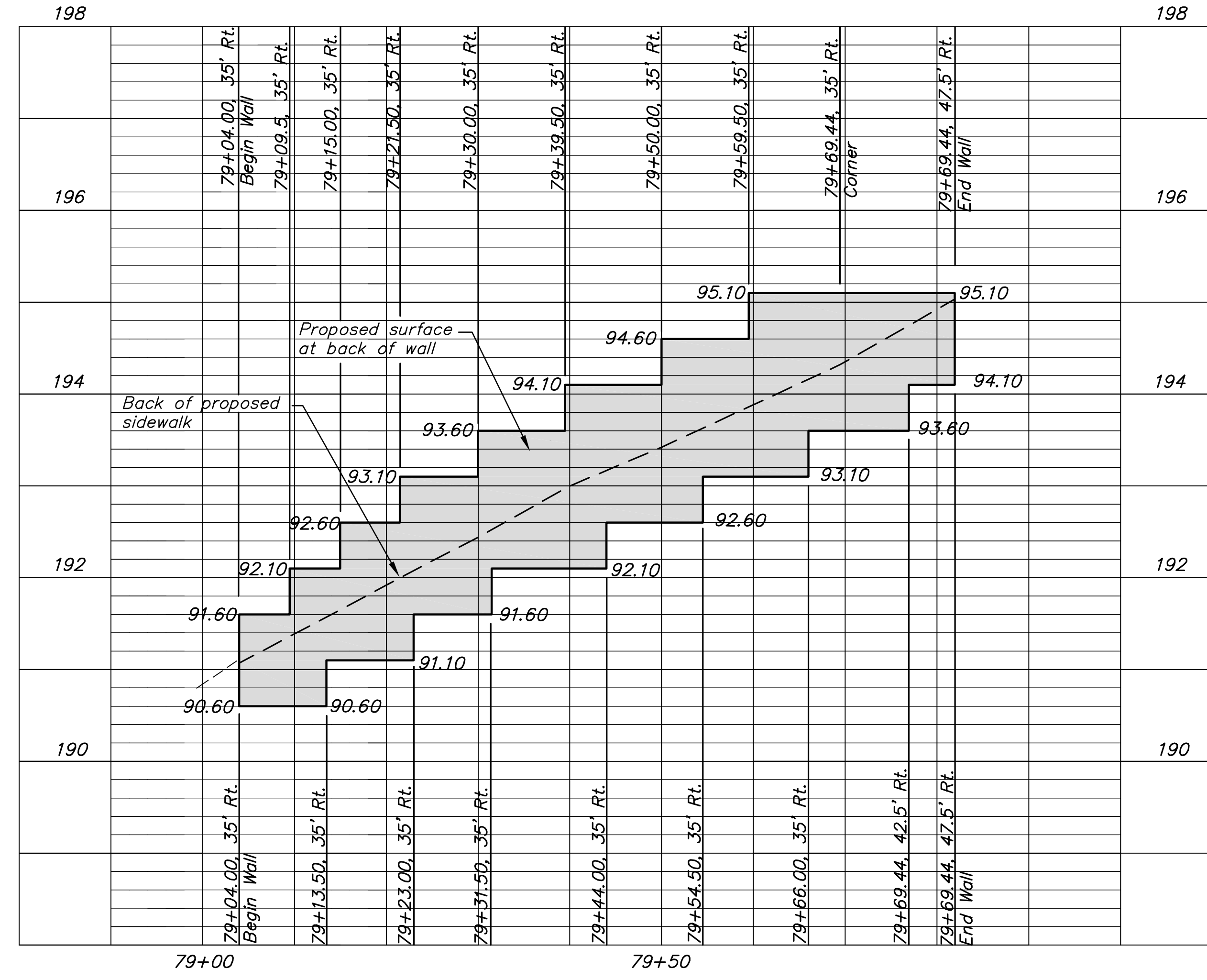
MODULAR CONCRETE RETAINING WALL - PLAN VIEW

SCALE: 1"=10'



MODULAR CONC. RETAINING WALL

"Retaining Wall" includes compacted granular material and wall units. Wall units shall be of the model and manufacture shown or approved equal. The color shall be "Brick Red."



MODULAR CONCRETE RETAINING WALL - PROFILE

**17th STREET
FROM GROVE TO HILLSIDE**

Retaining Wall Details

SHEET TITLE
87 N-0349-01
PROJECT NUMBER

JRA
DESIGN BY
JSB
DRAWN BY
JRA
CHECKED BY

ISSUED
May 28, 2009

REVISED

SHEET NO.
54 of 133