

**17th STREET
FROM GROVE TO HILLSIDE**

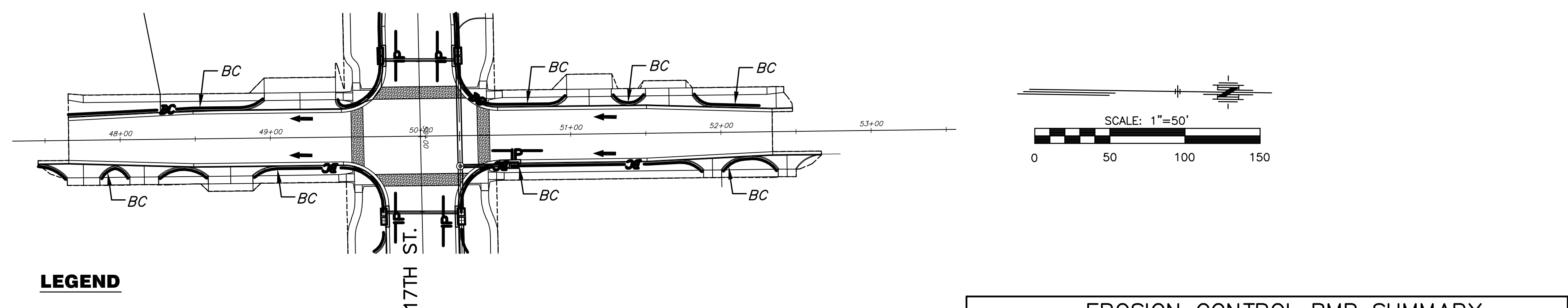
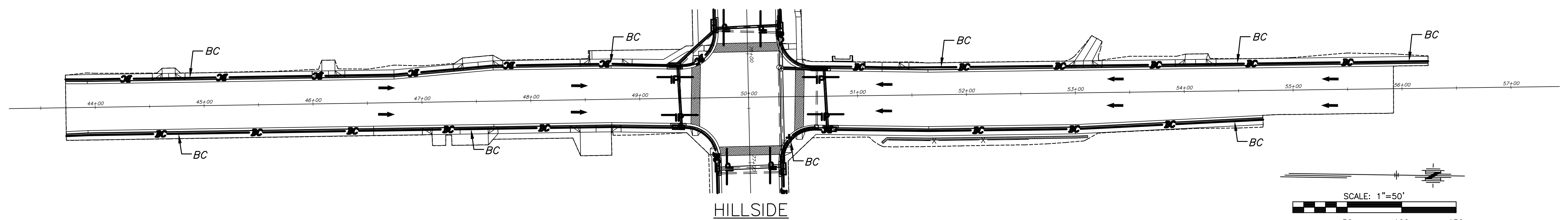
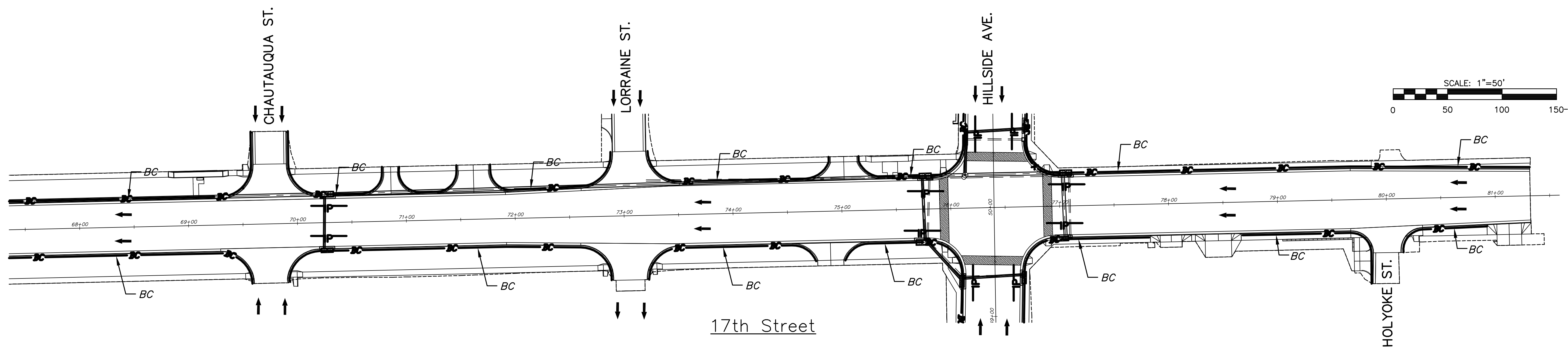
EROSION CONTROL PLAN

SHEET TITLE
87 N-0349-01
PROJECT NUMBER

DESIGN BY
JRA
DRAWN BY
JSB
CHECKED BY
JRA

ISSUED
May 28, 2009
REVISED

SHEET NO.
70 of 133



LEGEND

- | | | | |
|--|-------------------------------|--|---------------------------------|
| | STABILIZED ENTRANCE | | SILT BARRIER |
| | STABILIZED ENTRANCE REMOVED | | SILT BARRIER REMOVED |
| | AREA INLET PROTECTION | | BACK OF CURB PROTECTION |
| | AREA INLET PROTECTION REMOVED | | BACK OF CURB PROTECTION REMOVED |
| | CURB INLET PROTECTION | | DITCH CHECK PROTECTION |
| | CURB INLET PROTECTION REMOVED | | DITCH CHECK PROTECTION REMOVED |
| | DRAINAGE FLOW DIRECTION | | CONSTRUCTION LIMITS |

EROSION CONTROL BMP SUMMARY		
ITEMS	QUANTITY	UNIT
Erosion Control BMP (Back of Curb Protection)	9,369.07	L.F.
Erosion Control BMP (Curb Inlet Protection)	27	Each
Erosion Control BMP (Stabilized Entrance)	10	Each

RECAPITULATION		
BID ITEMS	TOTAL	UNIT
Erosion Control BMP (Back of Curb Protection)	9,369.07	L.F.
Erosion Control BMP (Curb Inlet Protection)	27	Each
Erosion Control BMP (Stabilized Entrance)	10	Each

PLOTED: Thursday, May 28, 2009 @ 10:45AM

J:\CIVIL\04179\EROSION\04179ER2.DWG