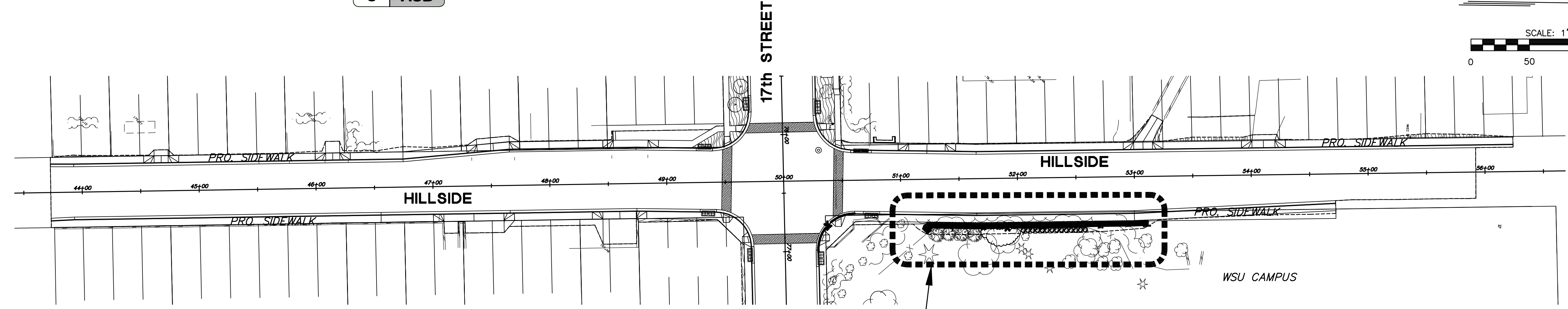
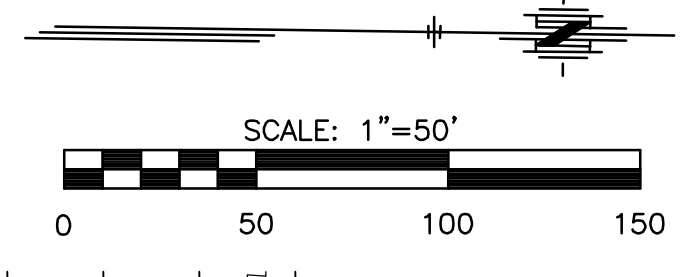
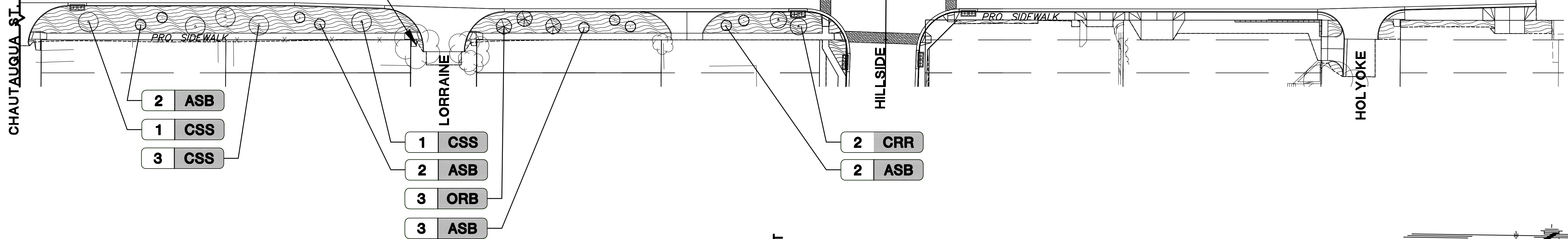
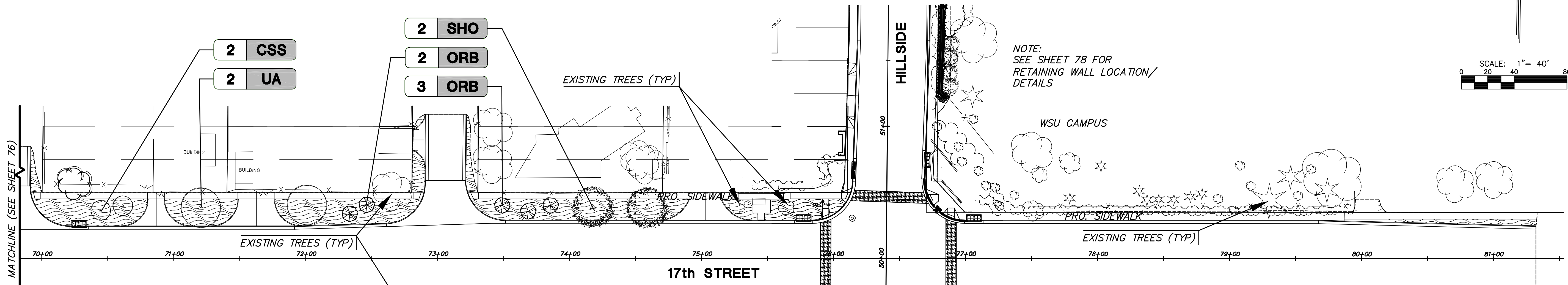
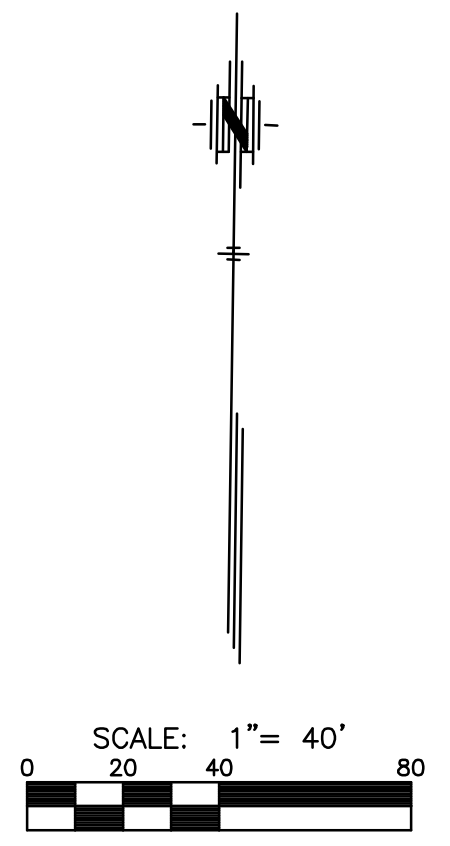
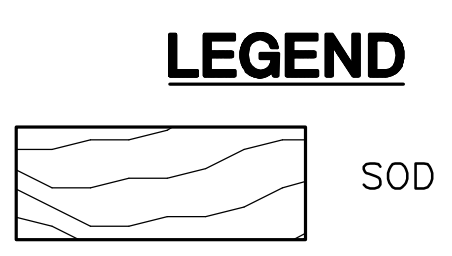


STATE	PROJECT NO.	YEAR	SHEET NO.	SHEETS
KANSAS	87 N-0349-01	2009	77	133

MKEC
ENGINEERING
CONSULTANTS, INC.
411 N. WEBB ROAD
WICHITA, K.S. 67206
316-684-9600



SEE SHEET 78 FOR ENLARGED LANDSCAPE PLAN



CHAUTAUGUA ST. MATCHLINE (SEE SHEET 76)

**17th STREET
FROM GROVE TO HILLSIDE**

**ROADSIDE
IMPROVEMENT
PLAN**
SHEET TITLE
87 N-0349-01
PROJECT NUMBER

JRA
DESIGN BY
JSB
DRAWN BY
JRA
CHECKED BY

ISSUED
May 28, 2009
REVISED

SHEET NO.
77 of 133

PLOTTED: Thursday, May 28, 2009 @ 10:45AM

J:\CIVIL\04179\DWG\RD IMPROV\04179RDIMP 3.DWG