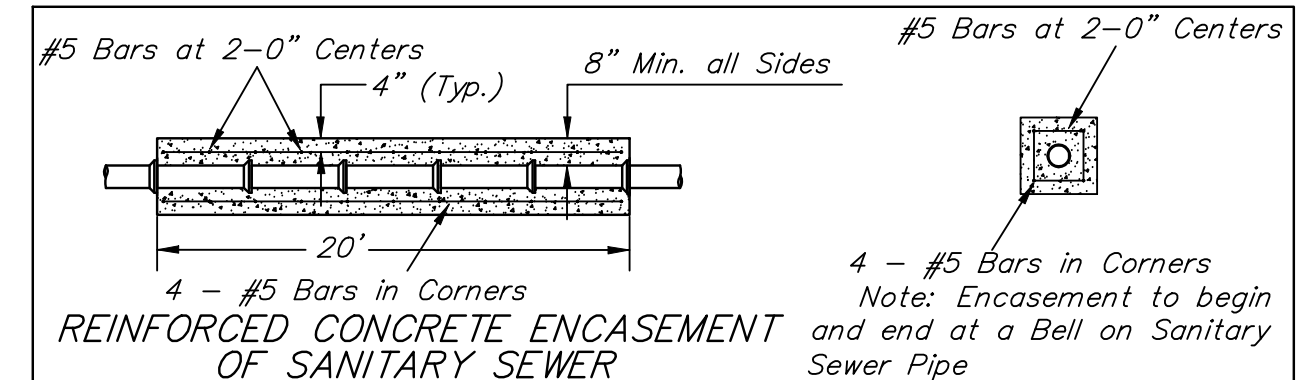
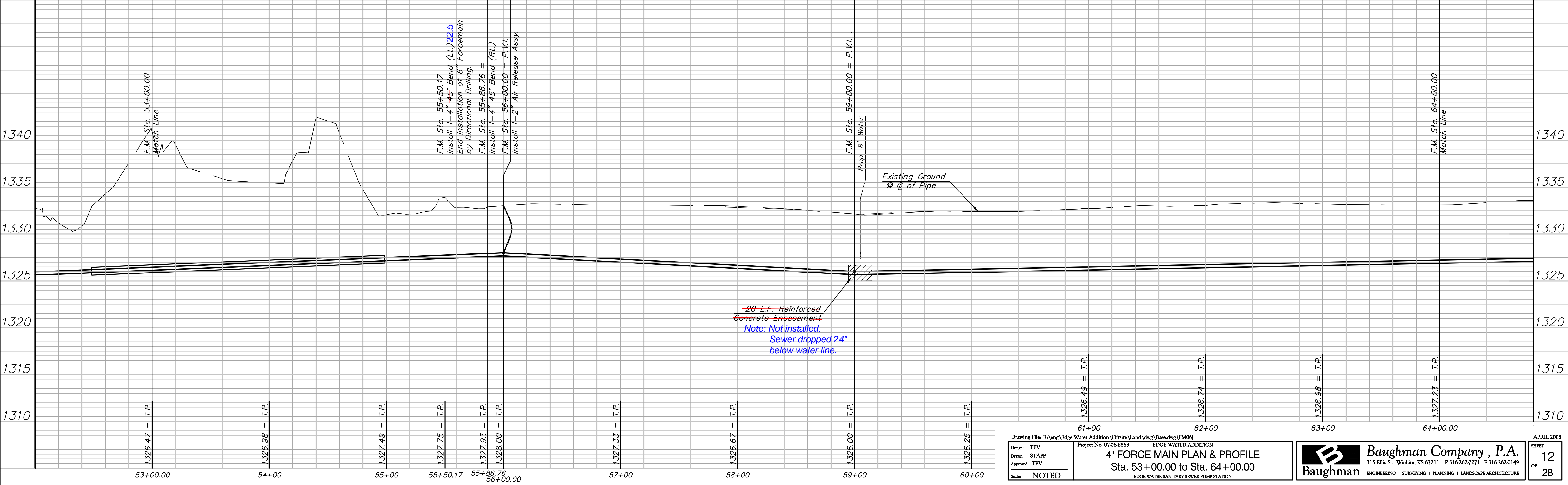
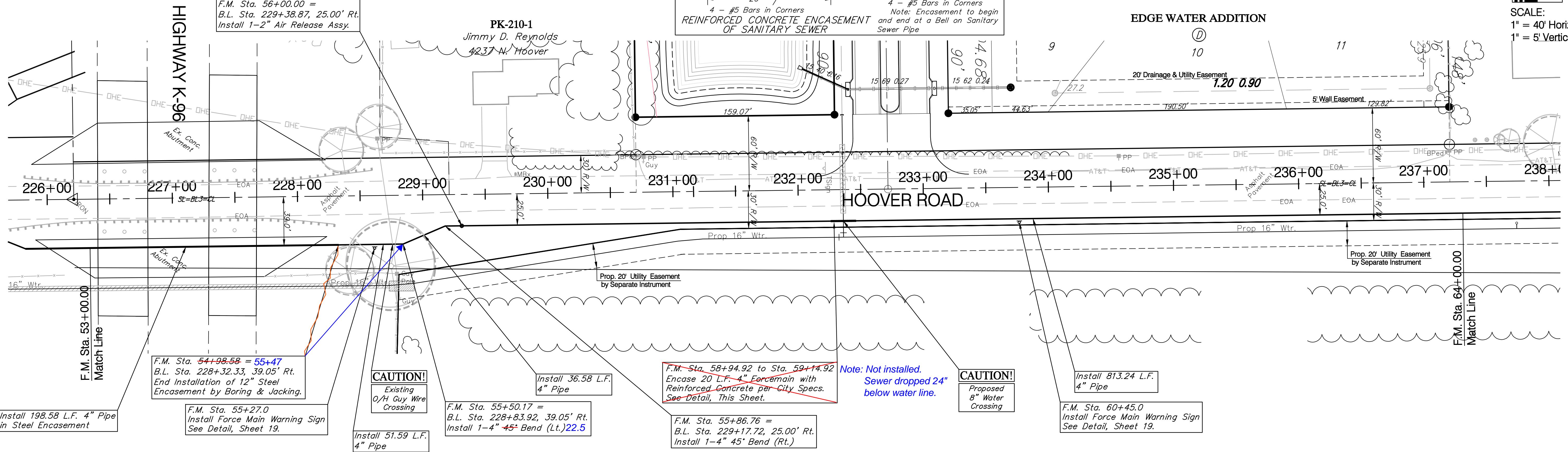
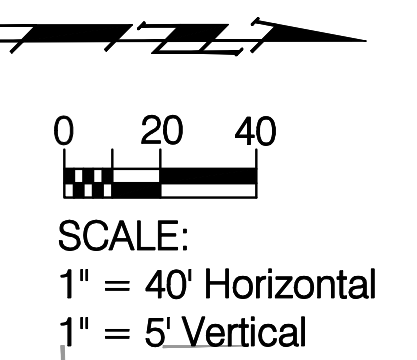


**BENCHMARK:**  
 BM #4 - COW Benchmark the North R/W of K-96 Highway and 42.5' West of the Centerline of Hoover Road.  
 B.L. Sta. 228+60.3, 39.9' Lt.  
 Elev. = 1333.14 (MSL)



Reseed 90' L.F. According to General Note 19 as Measured Along the Force Main from Sta. 54+99 to Sta. 64+00.



Drawing File: E:\eng\Edge Water Addition\Office\Land\dwg\Base.dwg (FM06)  
 Project No. 07-06-EB63  
 Design: TPV  
 Drawn: STAFF  
 Approved: TPV  
 Scale: NOTED

EDGE WATER ADDITION  
**4" FORCE MAIN PLAN & PROFILE**  
 Sta. 53+00.00 to Sta. 64+00.00  
 EDGE WATER SANITARY SEWER PUMP STATION

**Baughman Company, P.A.**  
 315 Ellis St. Wichita, KS 67211 P 316-262-7271 F 316-262-0149  
 ENGINEERING | SURVEYING | PLANNING | LANDSCAPE ARCHITECTURE

APRIL 2008  
 SHEET 12 OF 28