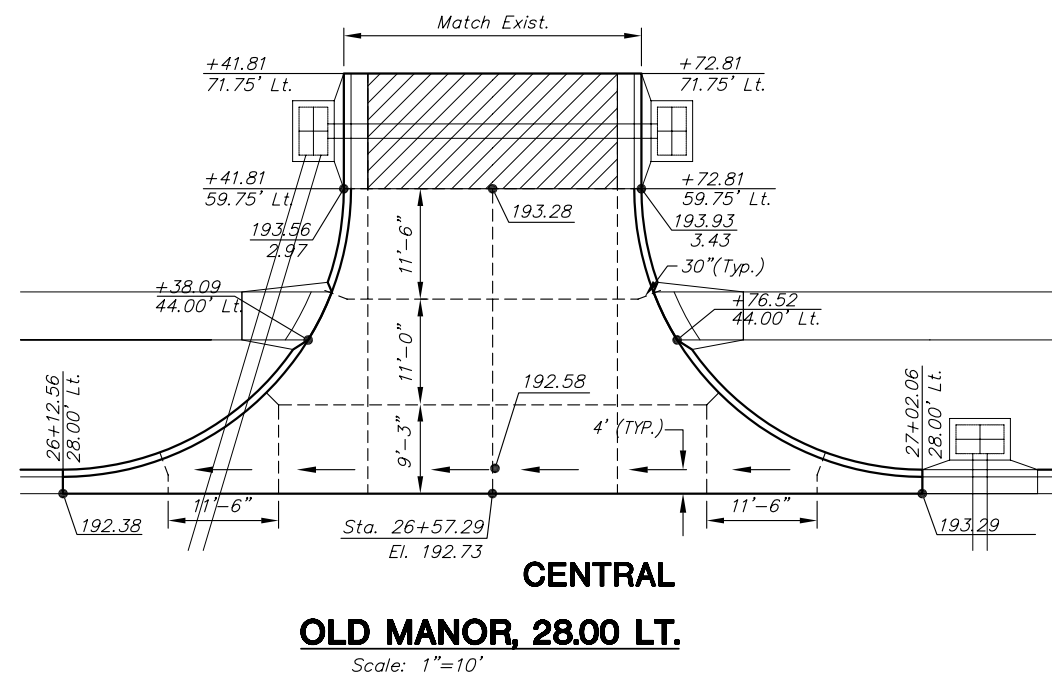
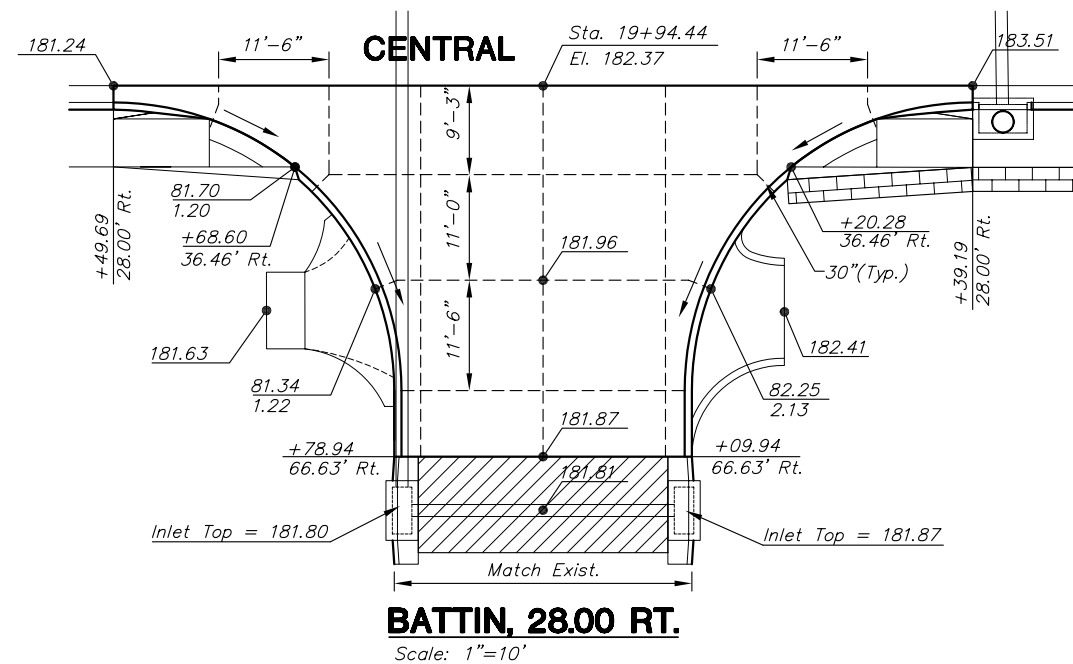
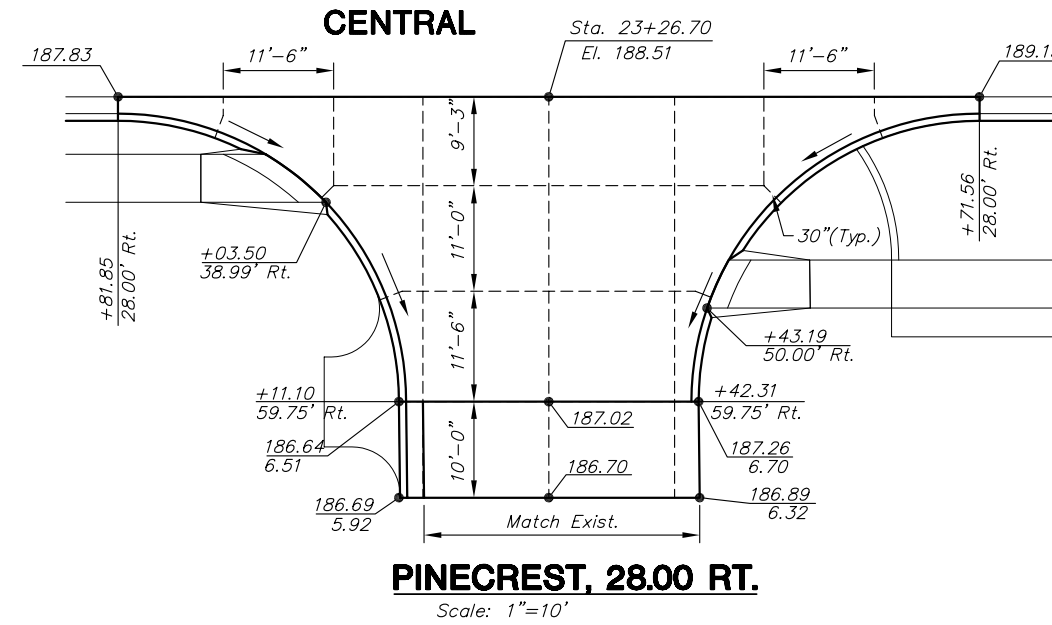
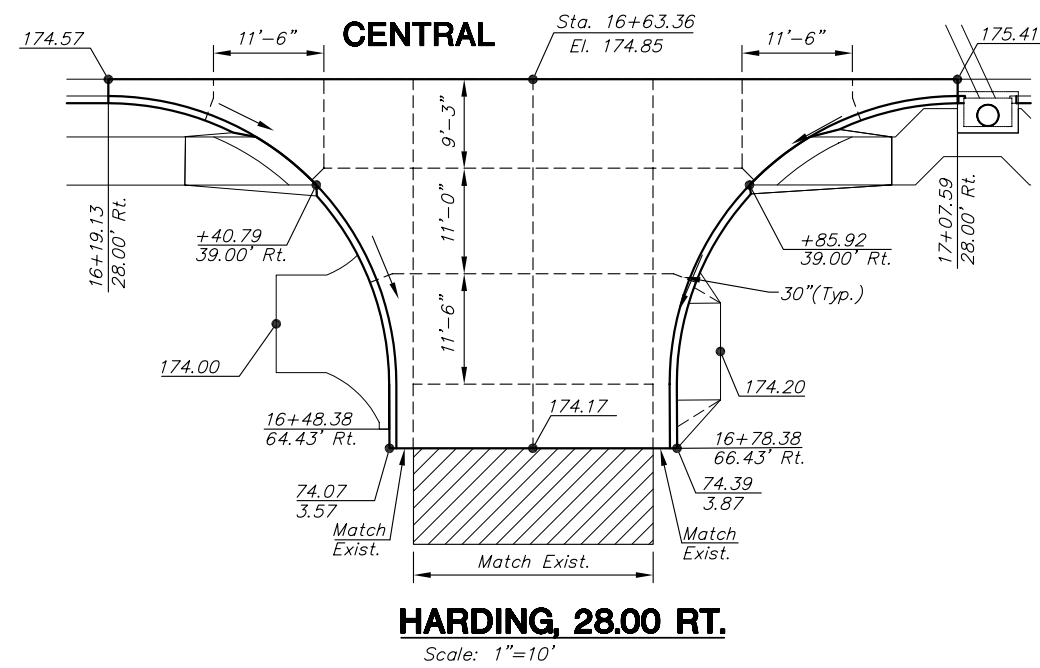
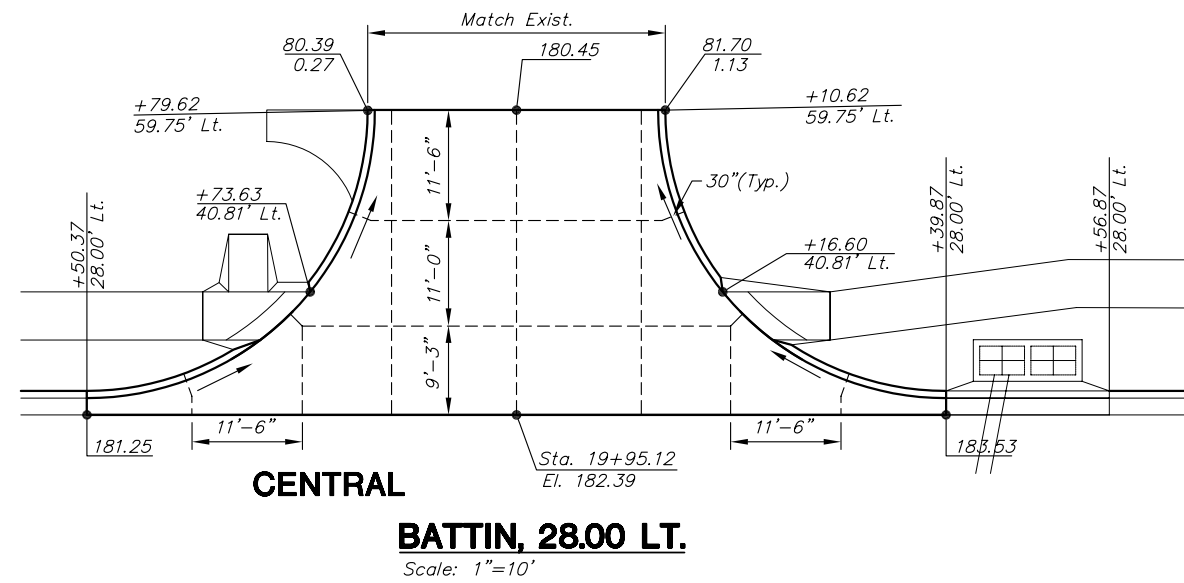
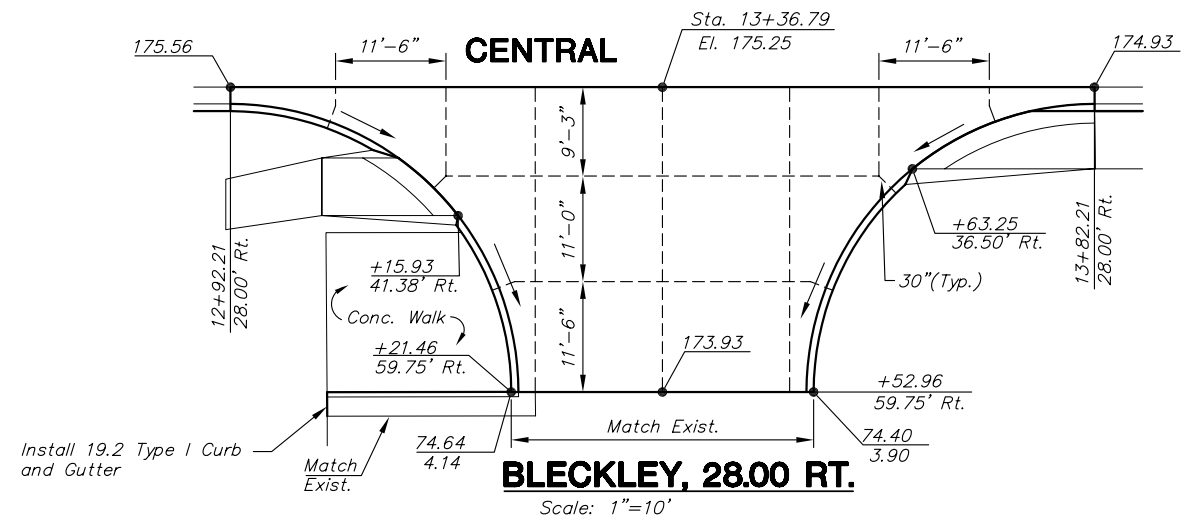


STATE	PROJECT NO.	YEAR	SHEET NO.	TOTAL SHEETS
KANSAS	87 N-0135-01	2005	27	137



NOTE: Contractor shall verify elevations of match points prior to construction.

- LEGEND**
- Sawed Joint
 - Valley Gutter Flow Location
 - 193.51 Spot Elevation
 - 193.55 Back of Curb Elev. Flow Line Elev.
 - ▨ Asphalt Hook-up

H:\CIVIL\03149\dwg\pave\03149INT_1.dwg 02/27/2006 05:24:53 PM CST

KANSAS DEPARTMENT OF TRANSPORTATION
CENTRAL STREET IMPROVEMENTS
INTERSECTION DETAILS

PROJECT NO. 87 N-0135-01 SEDGWICK CO.
M K E C ENGINEERING CONSULTANTS, INC.
 WICHITA, KANSAS

DESIGNED BY: JRA	CHECKED BY: JRA
DRAWN BY: WNJ	DATE: DEC 05 SHEET 27 OF 137