

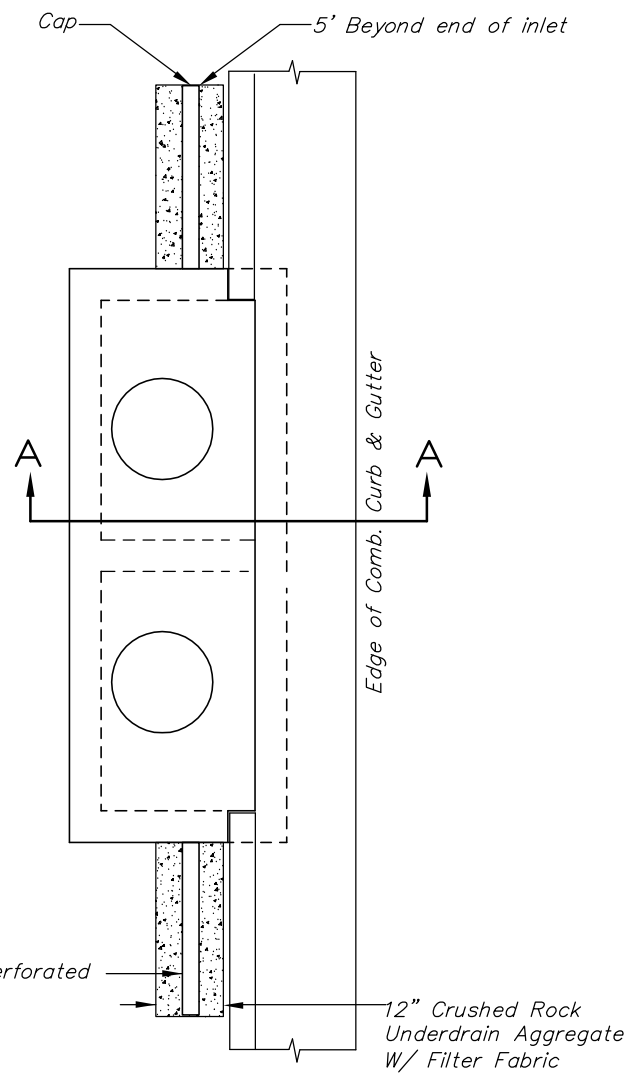
(Min. 16 Perforations Per Lin. Ft. @ 1/4" Dia.)
Perforations To Be on Bottom Half

SECTION A-A

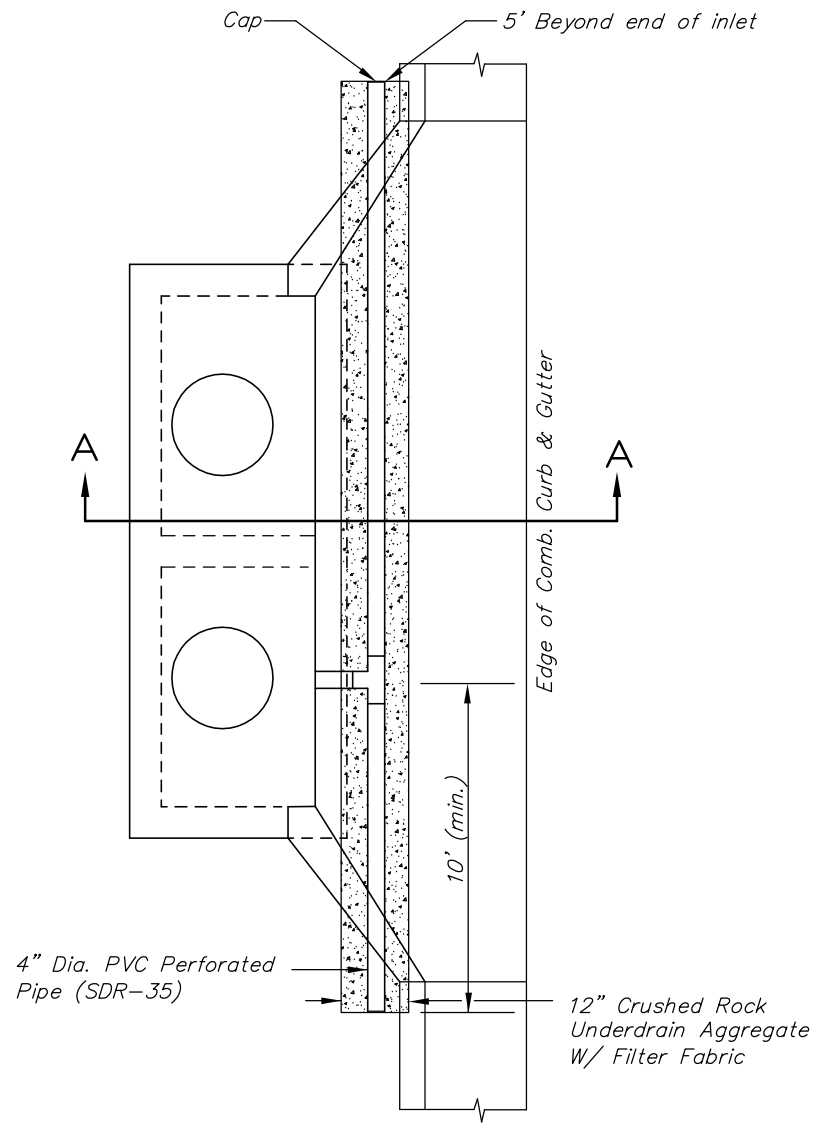
CRUSHED ROCK UNDERDRAIN AGGREGATE GRADATION REQUIREMENTS

Percent of Aggregate Retained	
1 1/2"	0
3/4"	15-60
# 4	40-80
#40	74-92
P-200	4-12

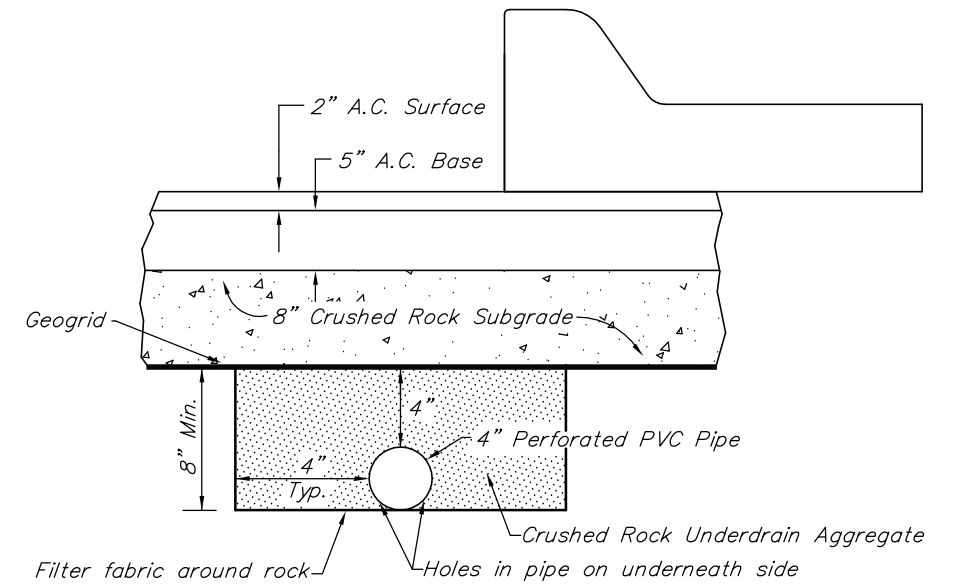
Rock quality shall be the same as specified for coarse aggregate for asphalt concrete mixes.



TYPE 1 AND 2 INLET



TYPE 1-A INLET



PAVEMENT UNDERDRAIN AT SUMPS

NOTE:
Place 4" PVC Perforated Pipe at all drainage sump locations.

Cost of Underdrain System at sumps to be incidental to the Reinforced Crushed Rock Subgrade.

Refer to "Pipe Connection Detail" on Sheet No. 47 for connections to structures.

THE CITY OF WICHITA

CITY ENGINEER'S OFFICE
CITY HALL - SEVENTH FLOOR
455 NORTH MAIN STREET
WICHITA, KANSAS 67202
(316) 268-4501
(316) 268-4114 FAX

PAVEMENT UNDERDRAIN DETAIL

JIM ARMOUR, P.E. - CITY ENGINEER

PROJECT NUMBER 472-83873 INDEX CODE 706871

DATE DEC 05 SHEET 42 OF 137