

STATE	PROJECT NO.	YEAR	SHEET NO.	TOTAL SHEETS
KANSAS	87 N-0135-01	2005	52	137

GENERAL NOTES

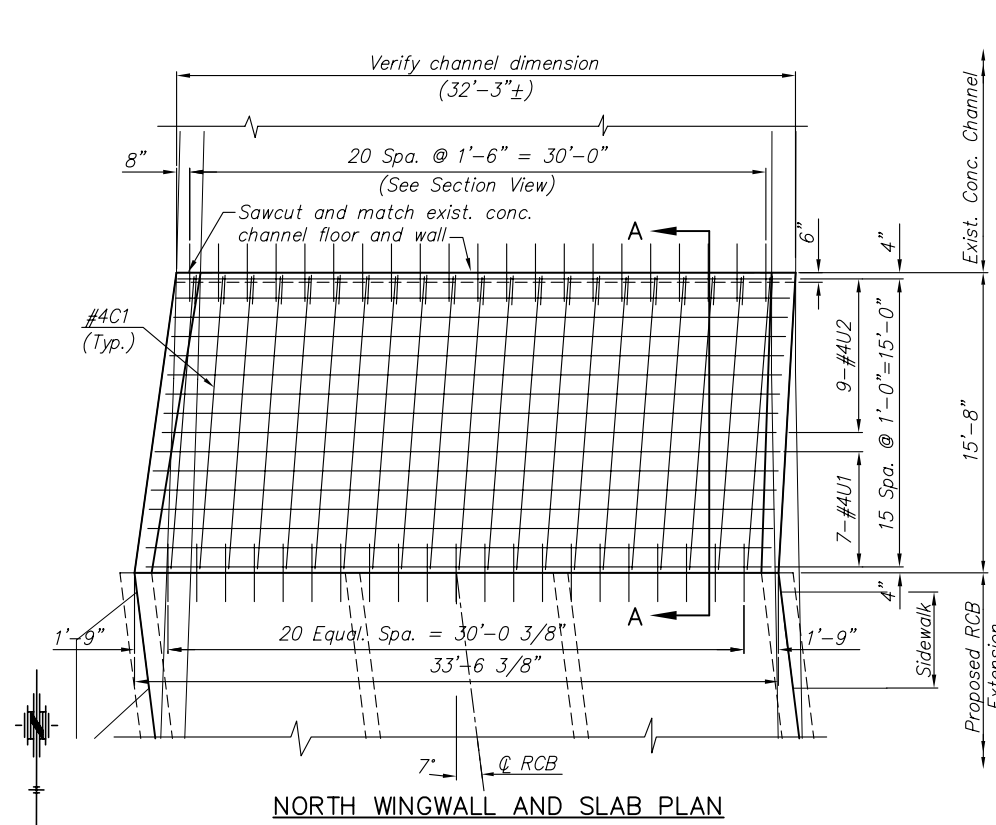
UNIT STRESSES: Grade 31 Concrete; $f'_c = 4,000$ p.s.i.
Reinforcing Steel; $f_y = 60,000$ p.s.i.

CONCRETE: Grade 31 Concrete (AE) shall be used throughout. Bevel all exposed edges with a 3/4 inch triangular moulding.

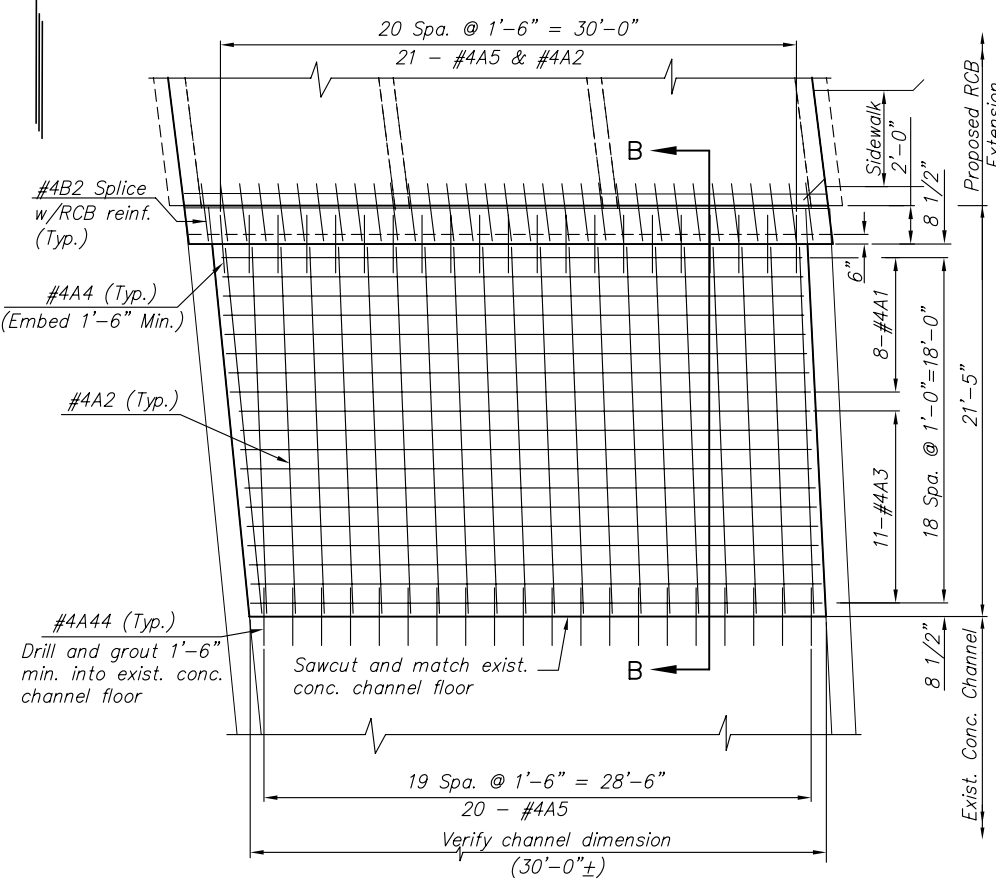
REINFORCING: All reinforcing shall conform to ASTM A615, Grade 60, Epoxy Coated. Welded wire fabric shall conform to ASTM A185. Wire fabric shall be electrically welded and shall be composed of 6x6-W1.4xW1.4 welded wire fabric and shall be classified as pounds of reinforcing.

QUANTITIES: Wingwall Quantities include all quantities outside the neat lines of the box, excluding the hubguard.

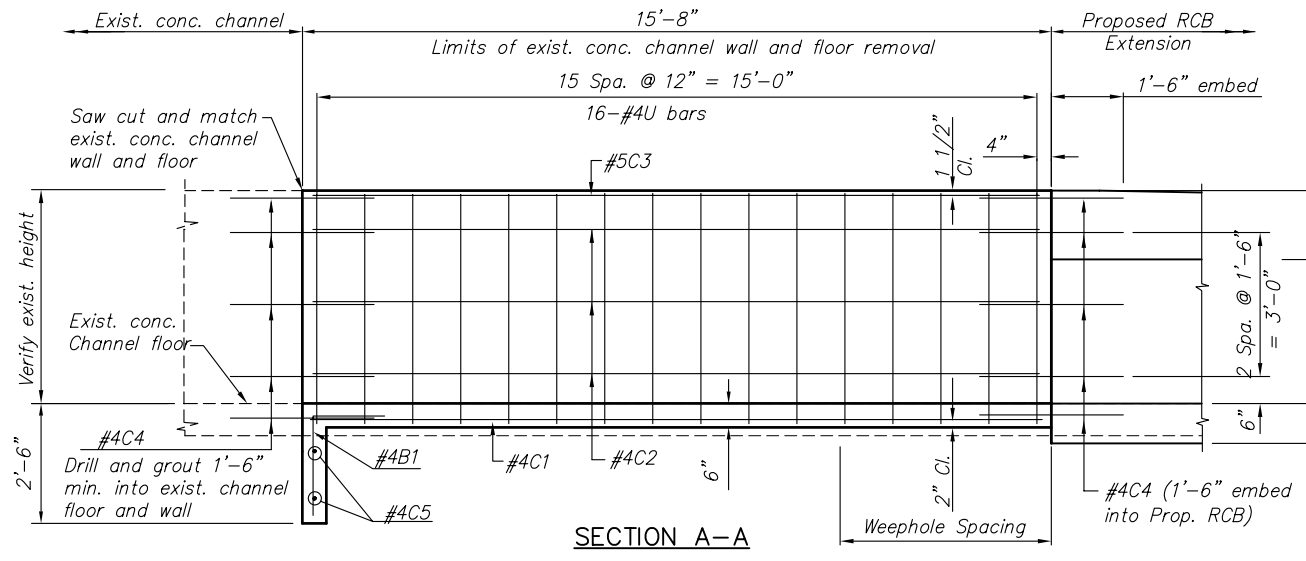
FOUNDATION AND BACKFILL MATERIAL: Soils judged as high plasticity clays, fat clays, expansive clays, or organic clays are unsuitable for foundation and/or backfill material for wingwalls and will not be used. Where these conditions exist, Foundation Stabilization and/or Granular Backfill (Wingwalls) shall be used as determined by the Engineer. See "RCB Auxiliary Details" sheet for additional details.



NORTH WINGWALL AND SLAB PLAN

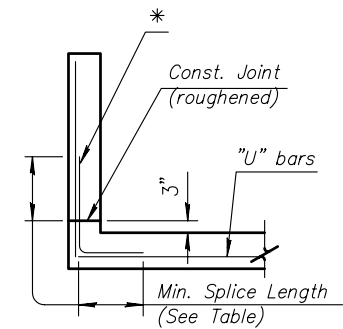


SOUTH TOEWALL AND APRON PLAN

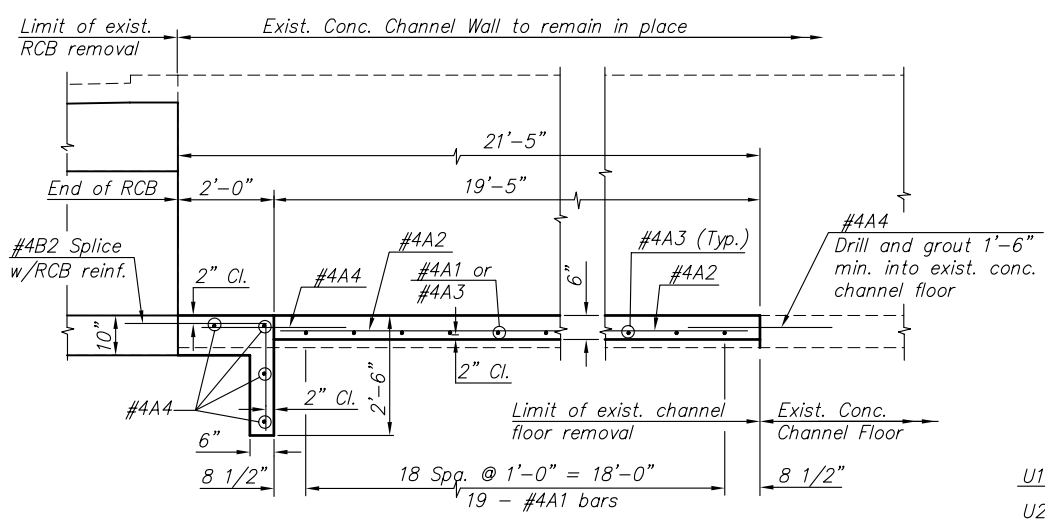


SECTION A-A

NOTE:
Space Weepholes to clear reinforcing steel. See "RCB Auxiliary Details" sheet for additional weephole details.
Wingwall floor and toewall shall be constructed with the RCB floor. Wingwalls to be constructed with RCB walls.



*At Contractors option, straight bars and bent bars may be substituted for "U" bars and spliced at locations shown. No allowance will be made for additional steel required. See table for required lap length.



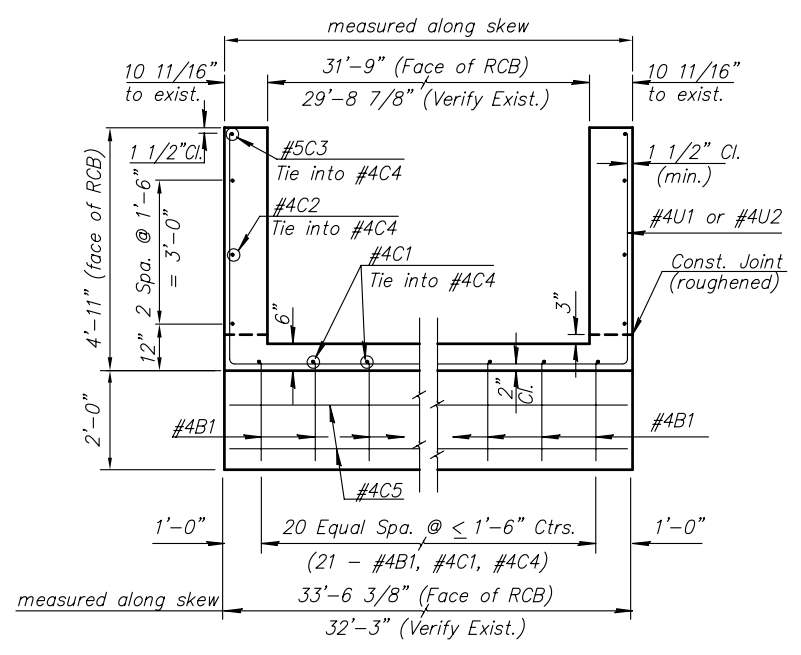
SECTION B-B

* See Bending Diagram

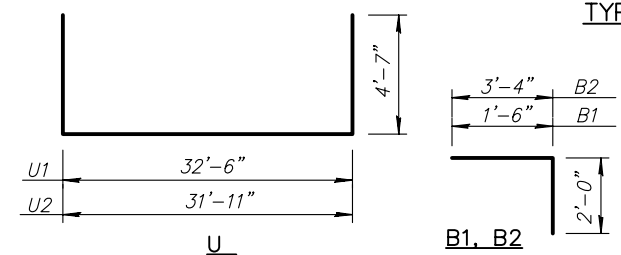
BAR SCHEDULE-SOUTH END									
#4B2 *	#4A1	#4A2	#4A3	#4A4					
No.	Length	No.	Length	No.	Length	No.	Length	No.	Length
33	5'-4"	8	30'-2"	21	19'-1"	11	29'-8"	41	3'-0"

MIN. SPLICE LENGTHS	
#4	1'-4"
#5	1'-8"
#6	2'-0"

BAR SCHEDULE-NORTH WINGWALL											
#4 B1 *	#4C1	#4C2	#5C3	#4C4	#4C5	#4U1 *	#4U2 *				
No.	Length	No.	Length	No.	Length	No.	Length	No.	Length	No.	Length
21	3'-6"	21	15'-4"	6	15'-4"	2	15'-4"	62	3'-0"	2	31'-11"



TYPICAL WINGWALL SECTION (NORTH END)



BENDING DIAGRAMS

All dimensions are out to out of bars.

Quantities listed are included in the Summary of Quantities shown on the RCB.

WINGWALL/APRON QUANTITIES		
North Wingwall	Quantity	Unit
Grade 31 Concrete (AE)	15.4	CY.
Reinforcing Steel (Epoxy Coated)	920	Lbs.
South Toewall & Apron		
Grade 31 Concrete (AE)	14.0	CY.
Reinforcing Steel (Epoxy Coated)	850	Lbs.

H:\CIVIL\03149\dwg\RCB\10X3RCB_WING.DWG 1/10/2006 4:09:37 PM CST				
NO.	DATE	REVISIONS	BY	APP'D
2				
1				
KANSAS DEPARTMENT OF TRANSPORTATION				
TRIPLE 10'x3' RCB WINGWALL AND APRON DETAIL				
PROJ. NO. 87 N-0135-01			SEDGWICK CO.	
MKEC ENGINEERING CONSULTANTS, INC. WICHITA, KANSAS				
DESIGNED BY:	CHECKED BY:			
DRAWN BY:	DATE: DEC 05		SHEET 52 OF 137	