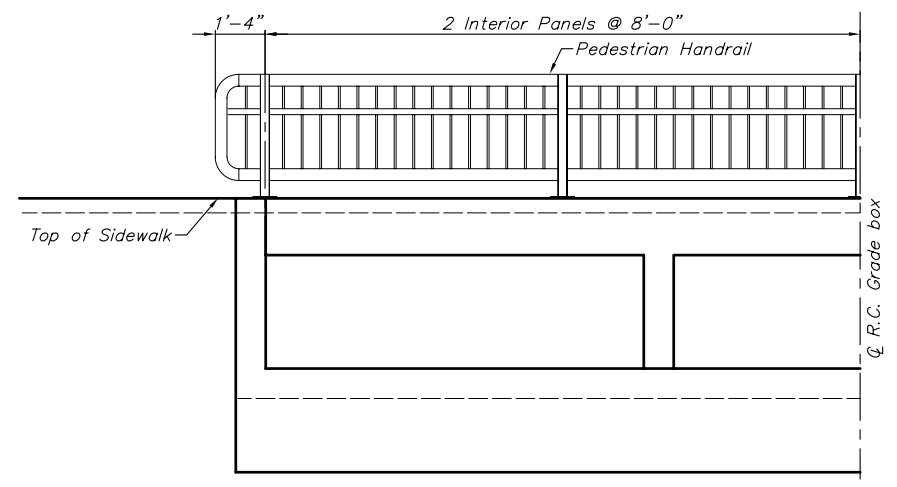


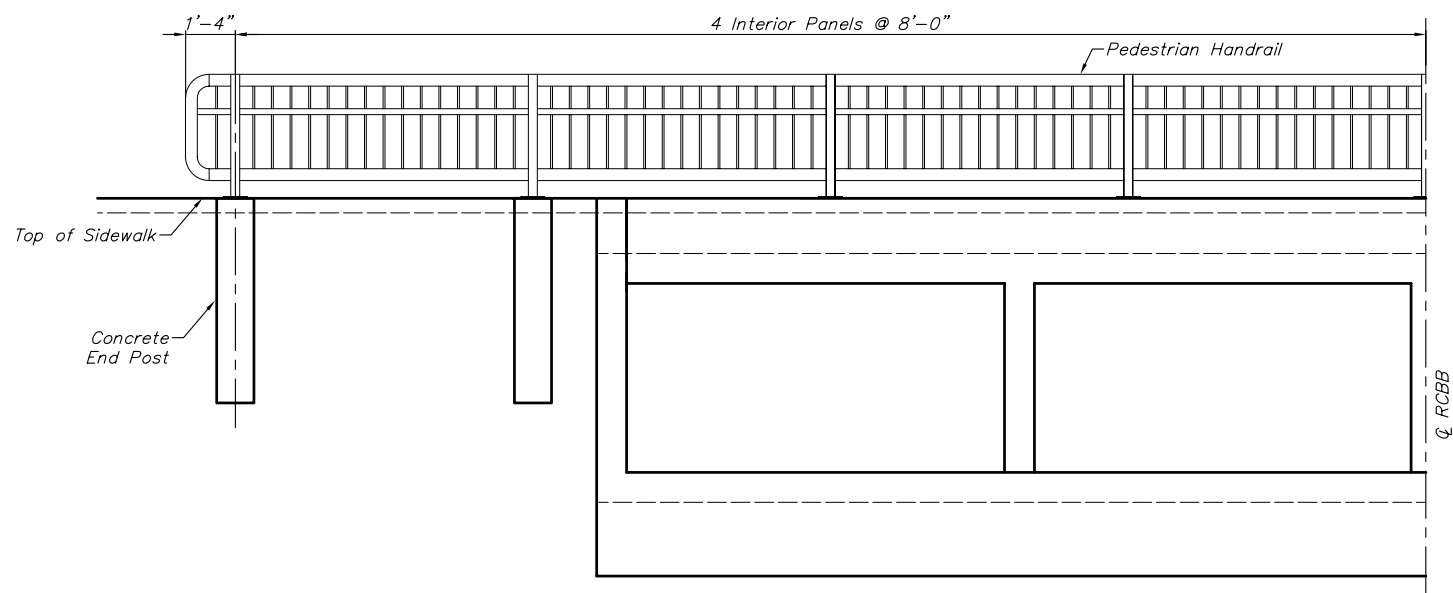
STATE	PROJECT NO.	YEAR	SHEET NO	TOTAL SHEETS
KANSAS	87 N-0135-01	2005	60	137

HANDRAIL NOTES

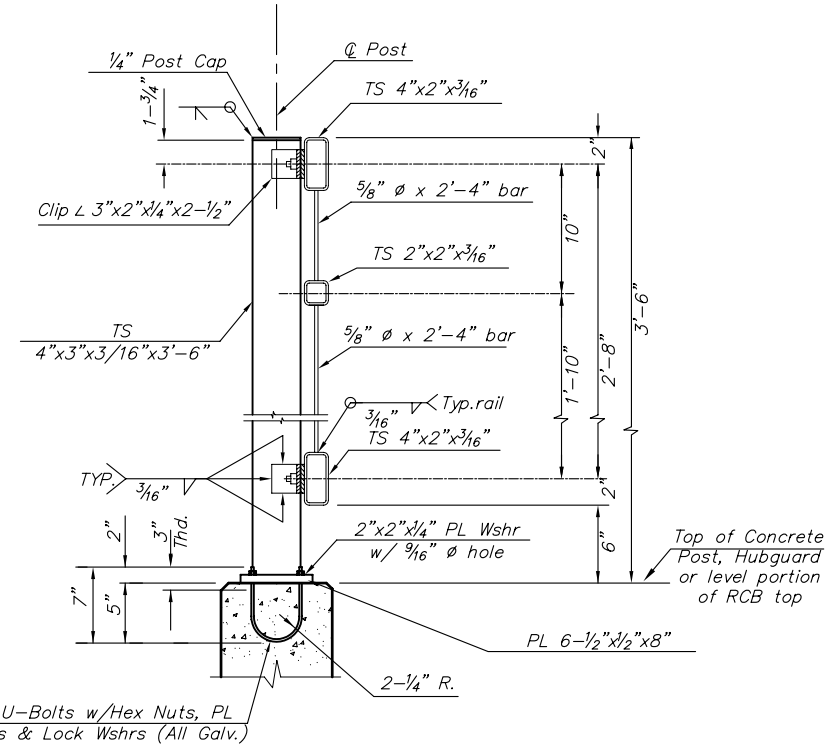
- The rail members shall conform to ASTM Designation A36M or equivalent.
- Rail shall be fabricated in lengths to include a minimum of two and a maximum of three panels. Posts shall be set vertical. Shims may be used between concrete and base plates of posts.
- All parts of handrail shall be painted. The primer coat shall conform to the inorganic zinc system. Surface preparation shall be in accordance with that for structural steel. The finish coat shall be in accordance with water-borne acrylic finish coat. All materials, equipment and labor necessary for the installation of the handrail shall be subsidiary to the bid item.
- The Contractor shall submit color chart for approval by the City. The color shall be "black (carboline C900)".



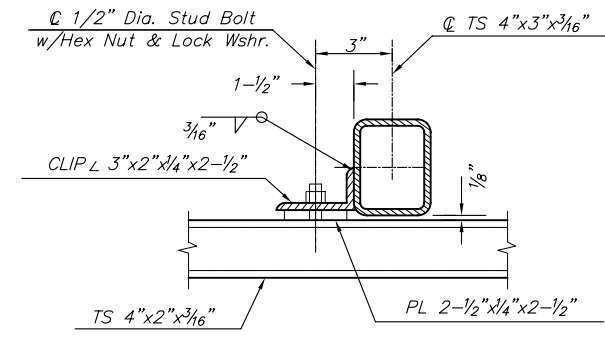
3 - 10'x3' R.C. Grade Box
Sta. 15+01.73



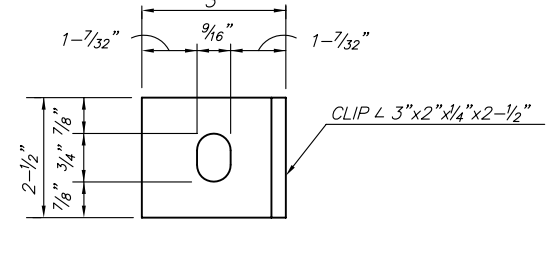
4 - 10'x5' RCBB
Sta. 47+45.03



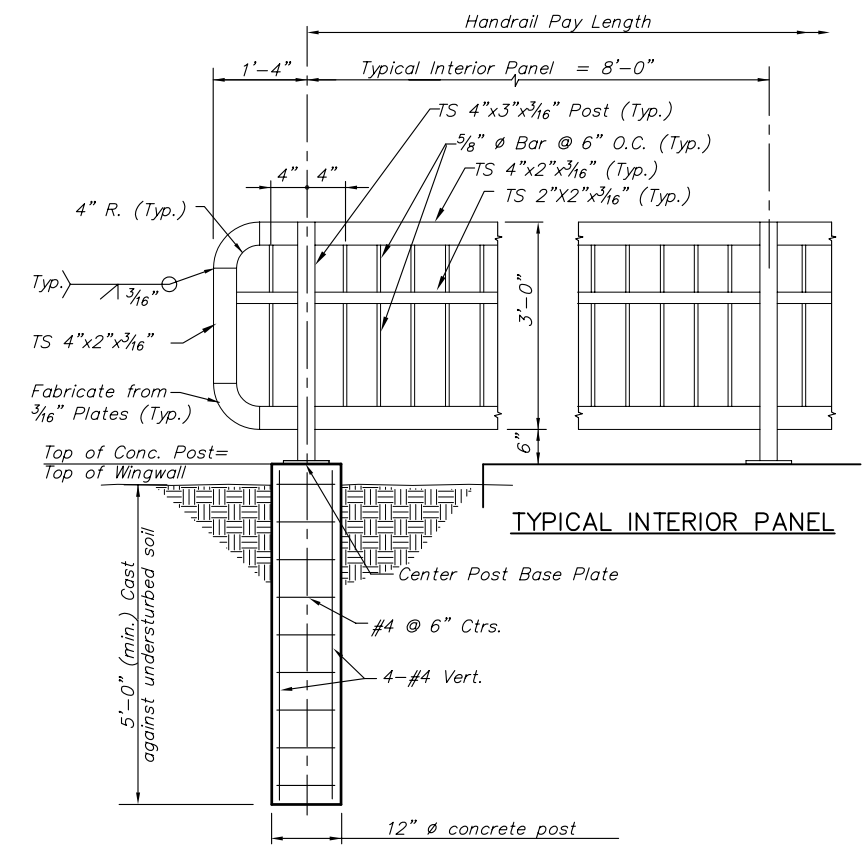
TYPICAL RAIL SECTION



RAIL CONNECTION DETAIL

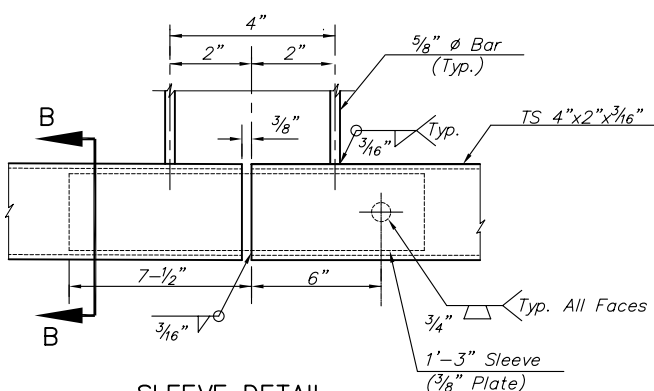


CLIP DETAIL



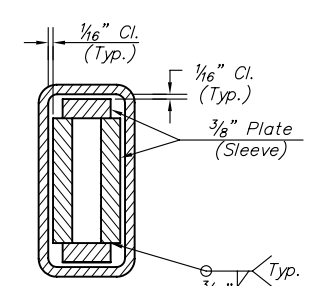
CONCRETE POST DETAIL

Concrete Post shall be Subsidiary to "Handrail (Steel)".
Locate concrete post where specified on plans

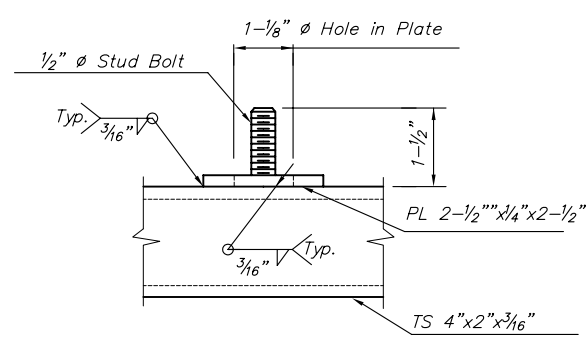


SLEEVE DETAIL

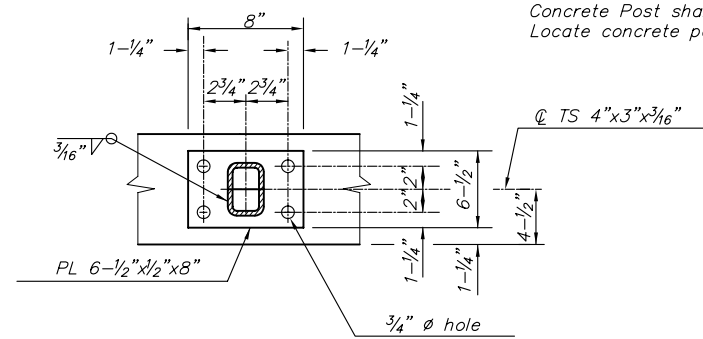
(Bottom Rail Shown, Top Rail Similar)



SECTION B-B



STUD BOLT DETAIL



BASE PLATE DETAIL

2				
1				
NO.	DATE	REVISIONS	BY	APP'D
KANSAS DEPARTMENT OF TRANSPORTATION				
CENTRAL BRIDGES HANDRAIL DETAILS				
PROJ. NO. 87 N-0135-01			SEDGWICK CO.	
MKEC ENGINEERING CONSULTANTS, INC. WICHITA, KANSAS				
DESIGNED BY:	KJS	CHECKED BY:	KJS	
DRAWN BY:	RSB	DATE:	DEC 05	SHEET 60 OF 137