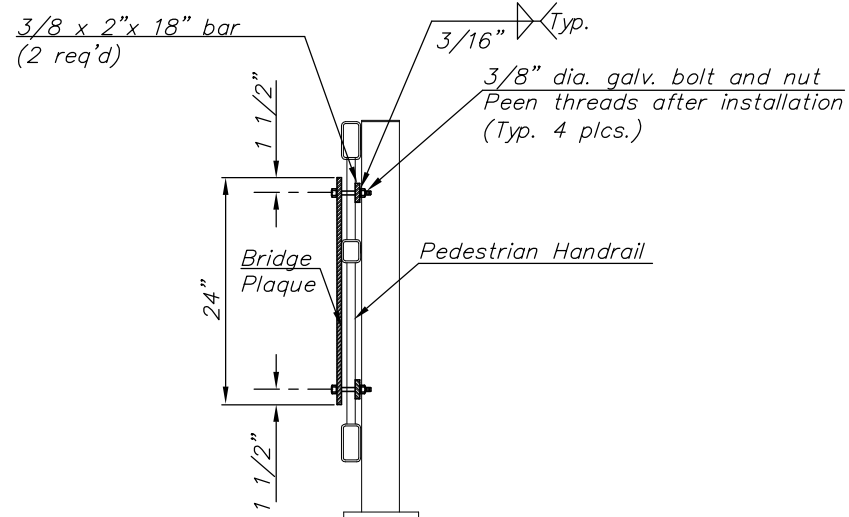


ELEVATION



SECTION

BRIDGE PROJECT MARKER DETAIL

QUANTITY

Non Participating	
1	Sta. 15+01.73
1	Sta. 47+45.03

GENERAL NOTES:

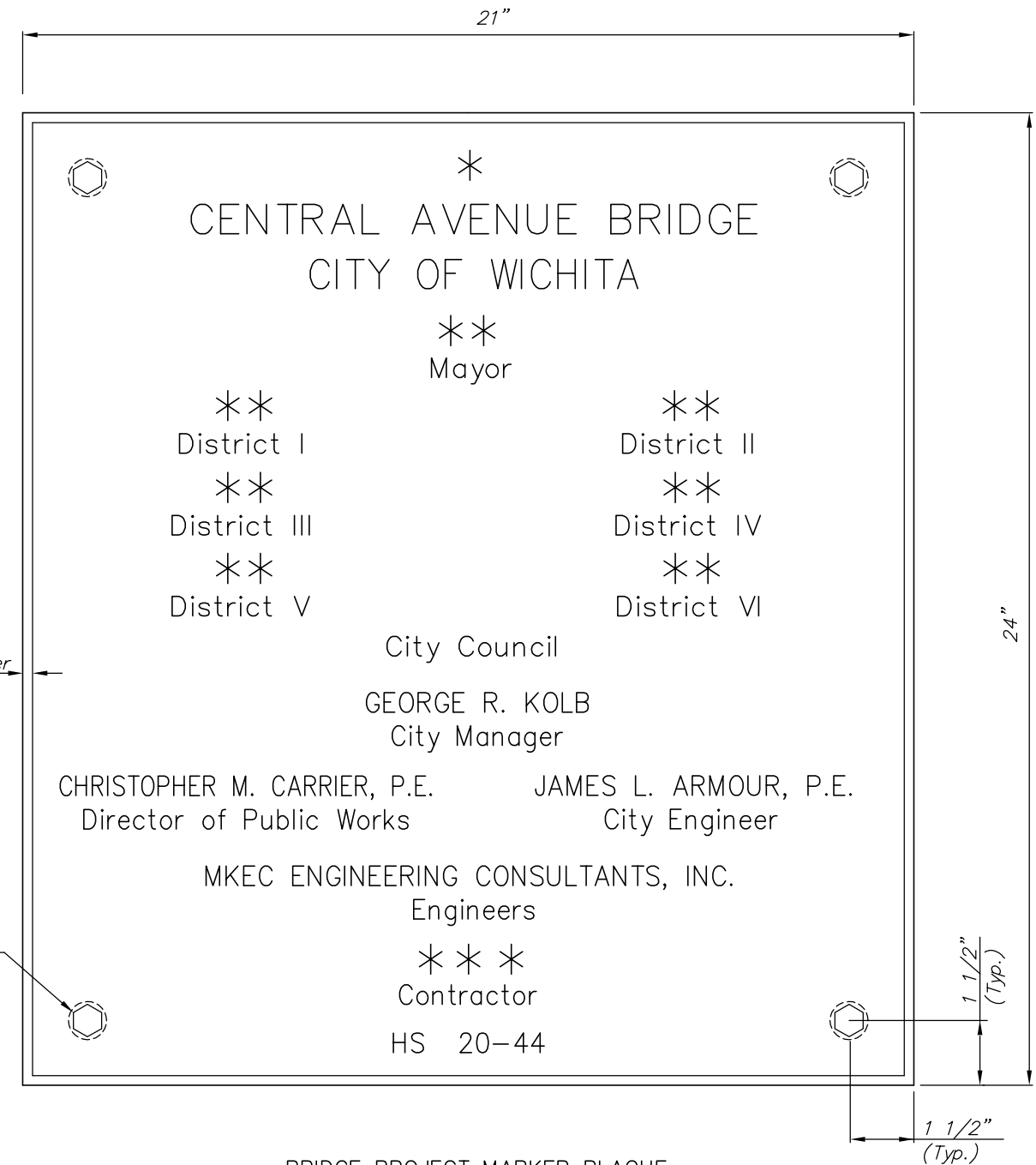
Contractor to furnish a rubbing of the Bridge Project Plaque to the Engineer for approval before casting. Project Bridge Plaque shall conform to applicable requirements of Sub-section 1625 of the Kansas Dept. of Transportation Standard Specifications. Plaque shall be manufactured such that it can be attached to pedestrian handrail.

Plaques to be mounted on the traffic side of the southwest sidewalk pedestrian rail. Plaque shall be centered vertically on the rail.

Plaques shall be paid for as "Bridge Plaque (Non-Participating)."

Raised Border
1/4" (Typ.)

3/8" dia. galv. bolt and nut
(Typ. 4 plcs.)



BRIDGE PROJECT MARKER PLAQUE

(2 Marker Required)

- * Year Bridge Completed
- ** First Name, Middle Initial, Last Name
(by City Engineering Dept.)
- *** Name of Contractor

NO.	DATE	REVISIONS	BY	APP'D
2				
1				

KANSAS DEPARTMENT OF TRANSPORTATION
CENTRAL STREET IMPROVEMENTS
BRIDGE PLAQUE DETAIL
PROJ. NO. 87 N-0135-01 SEDGWICK CO.
MKEC ENGINEERING CONSULTANTS, INC.
WICHITA, KANSAS

DESIGNED BY:	JRA	CHECKED BY:	JRA
DRAWN BY:	JSM	DATE:	DEC 05

SHEET 63 OF 137