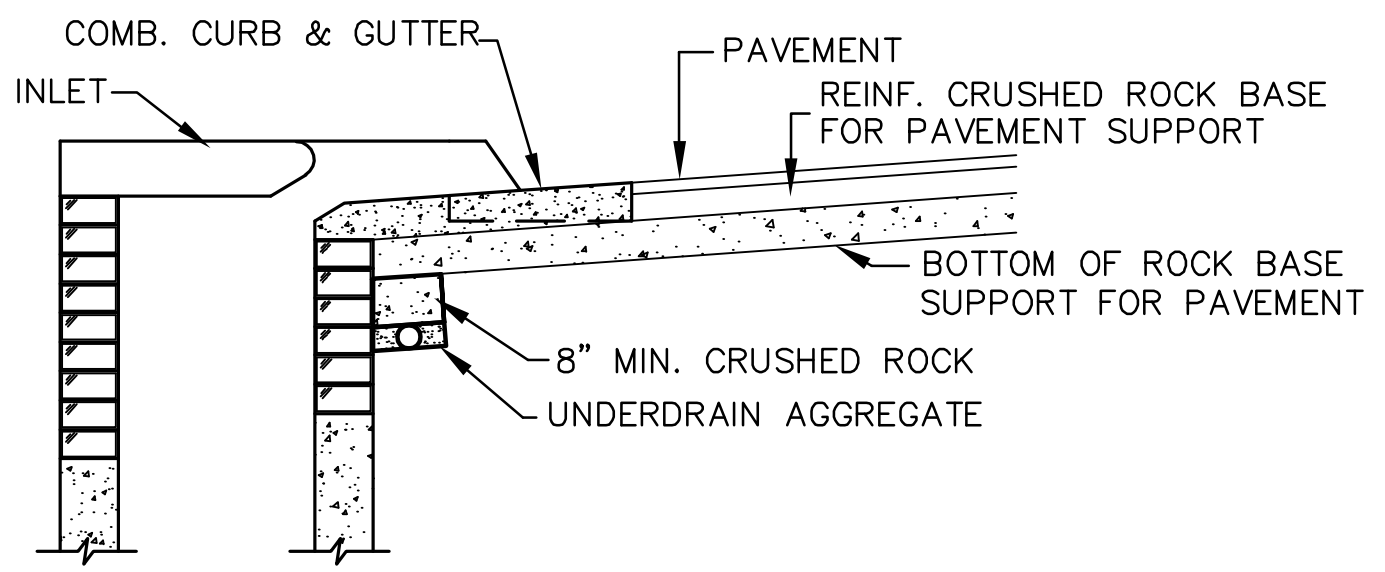


* UNDERDRAIN AGGREGATE PERCENT OF AGGREGATE RETAINED

1"	0
3/4"	0 to 10
3/8"	45 to 80
#4	90 to 100
#8	95 to 100

ROCK QUALITY SHALL CONFORM TO THE REQUIREMENTS SPECIFIED BY K.D.O.T. 1990 EDITION STANDARD SPECIFICATION SUBSECTION 1102 FOR DURABILITY CLASS 1.

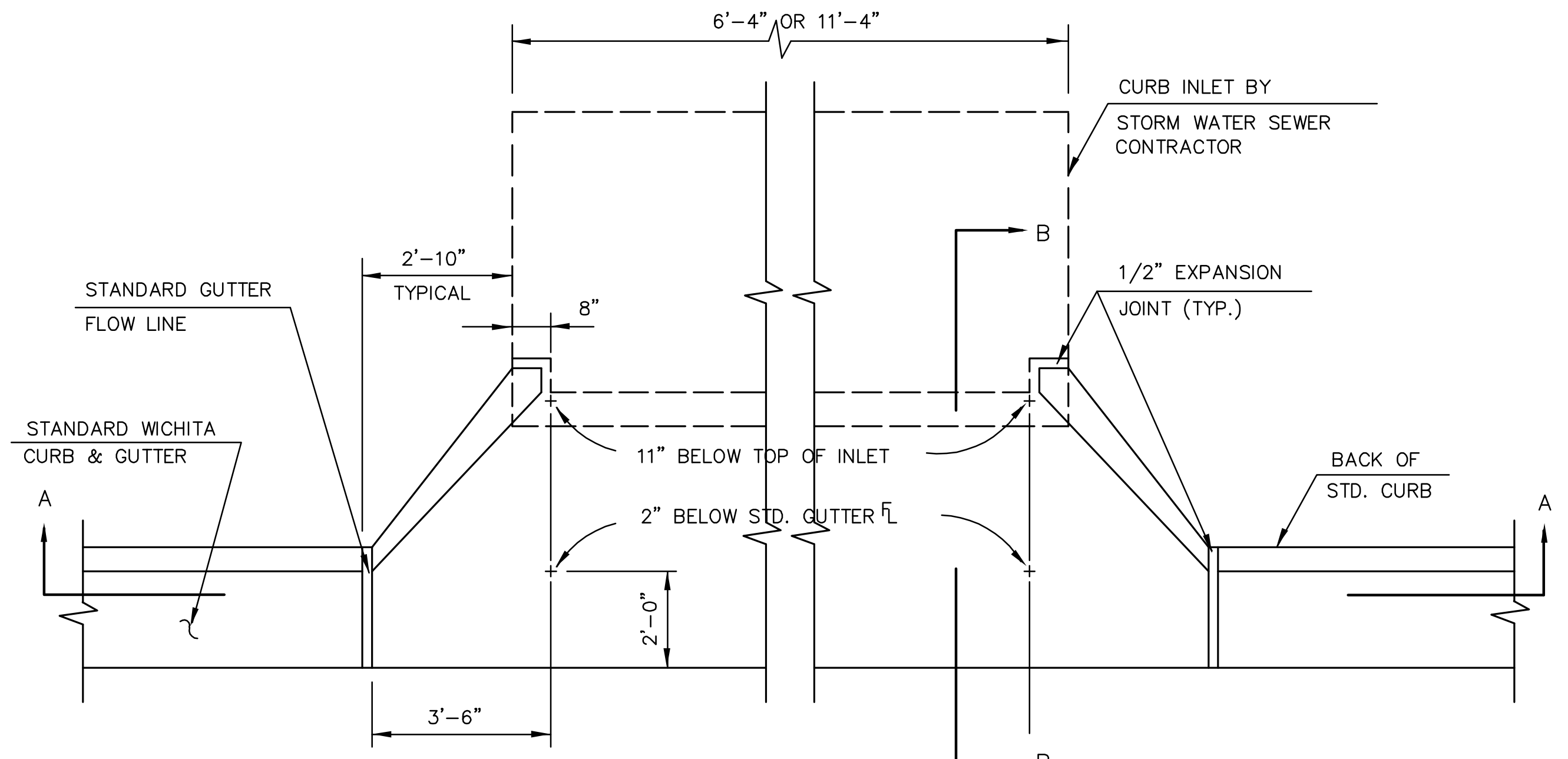
PLAN



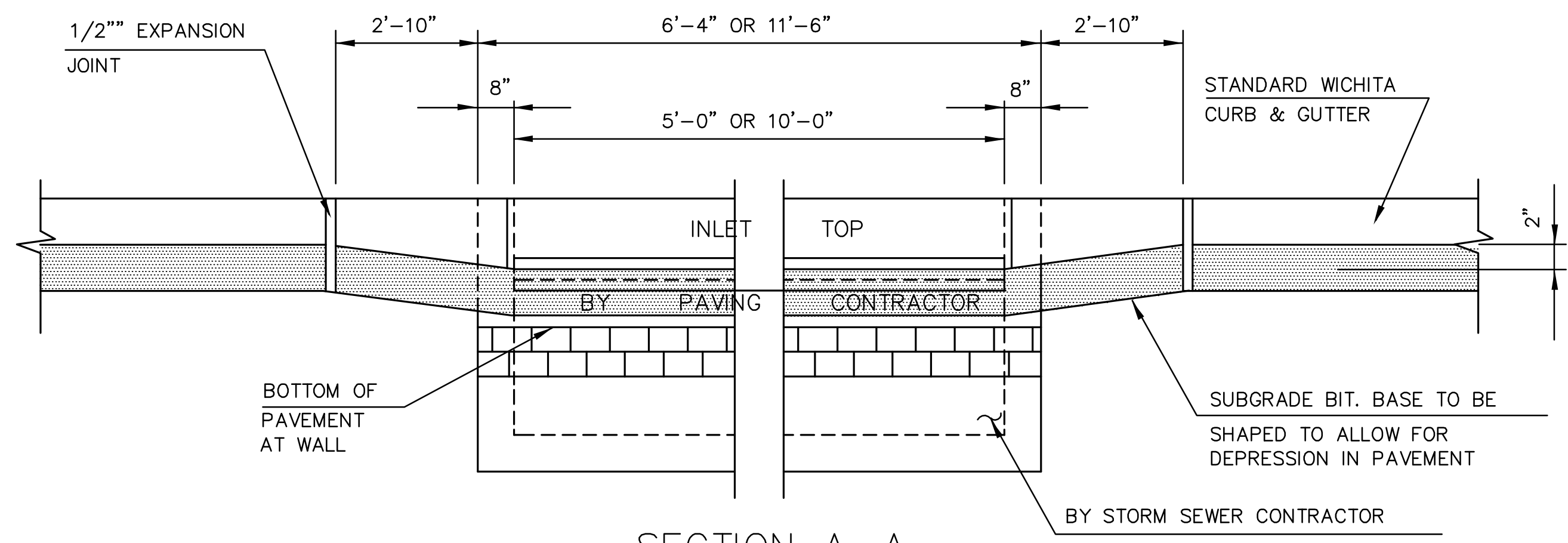
(MIN. 16 PERFORATIONS PER LIN. FT. @ 1/4" DIA.) PERFORATION TO BE ON BOTTOM HALF

SECTION A-A

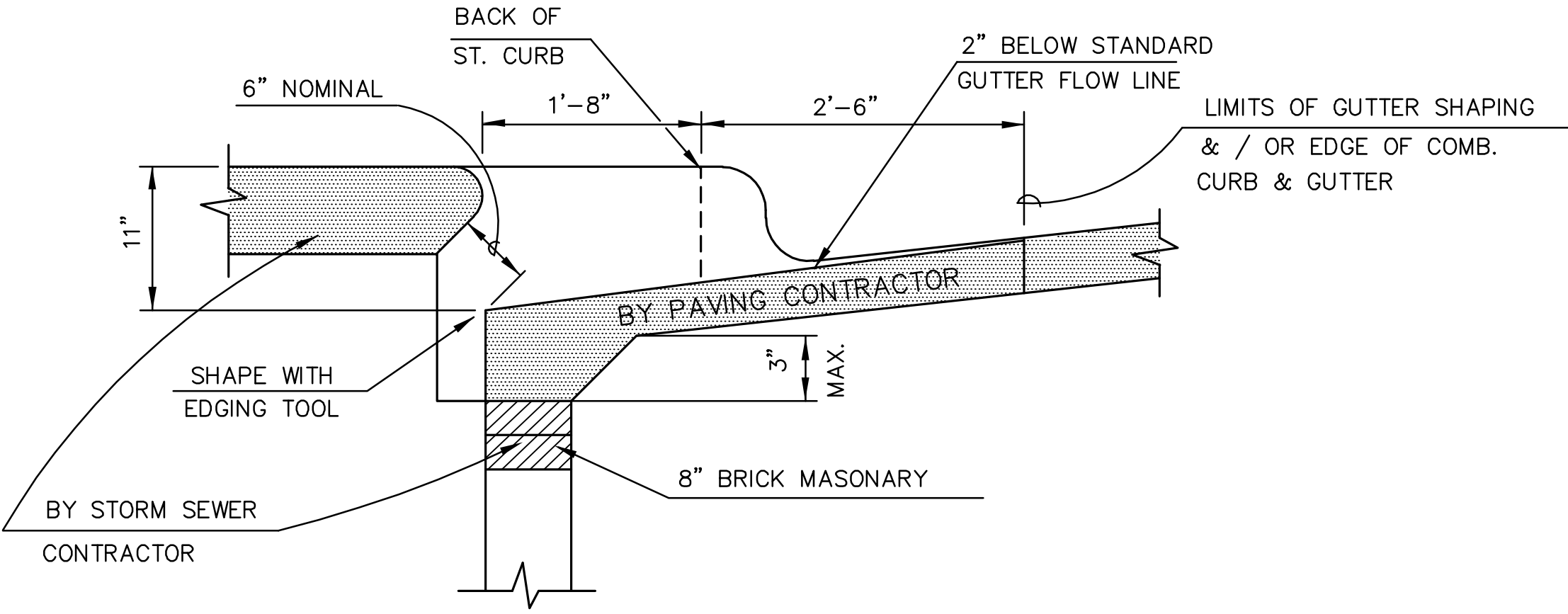
NOTE: PLACE 4" PVC PERFORATED PIPE AT ALL DRAINAGE SUMP LOCATIONS. COST OF UNDERDRAIN SYSTEM TO BE INCIDENTAL TO THE REINFORCED CRUSHED ROCK SUBGRADE. INLET TYPE MAY VARY FROM THAT SHOWN.



PLAN



SECTION A-A



SECTION B-B

GENERAL NOTES

1. USE THE CONCRETE MIX SPECIFIED FOR CITY OF WICHITA CONCRETE PAVEMENT. ALL EXPOSED EDGES SHALL BE FINISHED WITH AN EDGING TOOL.
2. TYPE 1A INLET HOOKUP WILL BE PAID EACH REGARDLESS OF SIZE.
3. ADDITIONAL CURB & GUTTER CONSTRUCTION NECESSARY TO CONNECT SET BACK INLET TO PAVEMENT WILL BE PAID FOR AT THE UNIT PRICE BID FOR EACH INLET

PAVEMENT UNDERDRAIN DETAIL

TYPE 1A INLET HOOKUP

(BY PAVING CONTRACTOR)

INLET HOOKUP AND PAVEMENT UNDERDRAIN DETAILS

SHEET TITLE
472-84613
PROJECT NUMBER

DESIGN BY: DFL
DRAWN BY: MKK
CHECKED BY: GJA

ISSUED: June 2009
REVISED:

SHEET NO.
4 of 24