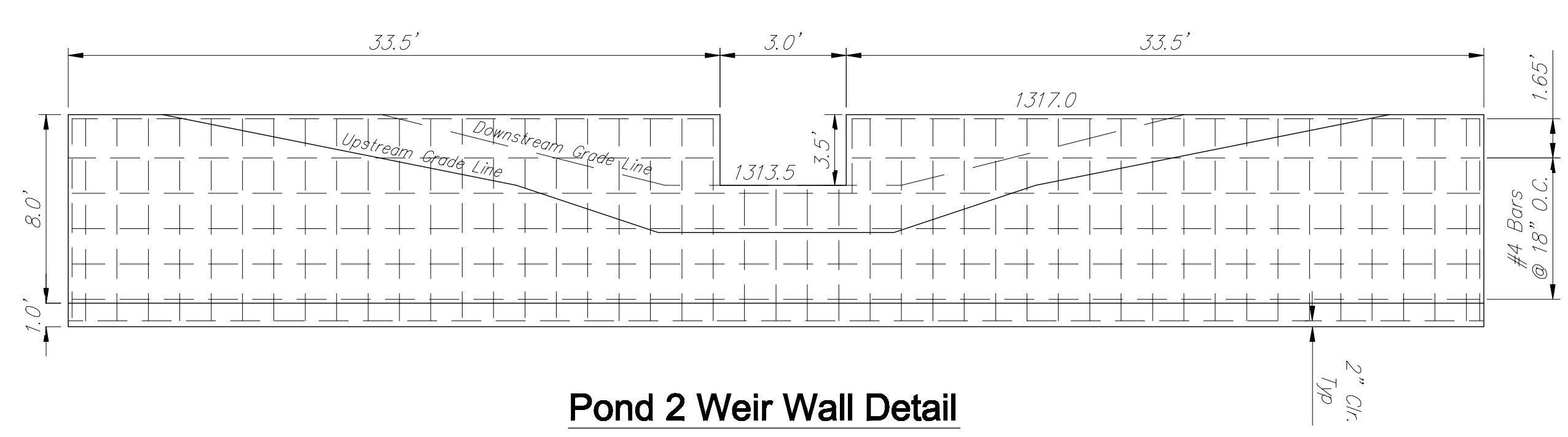
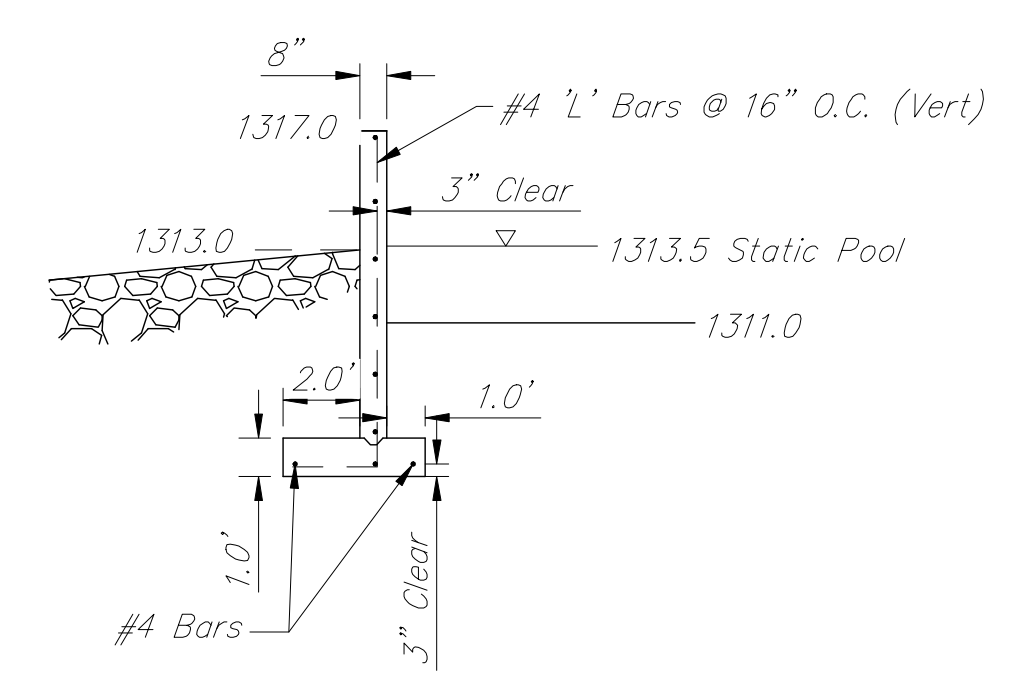


POND GRADING SECTION

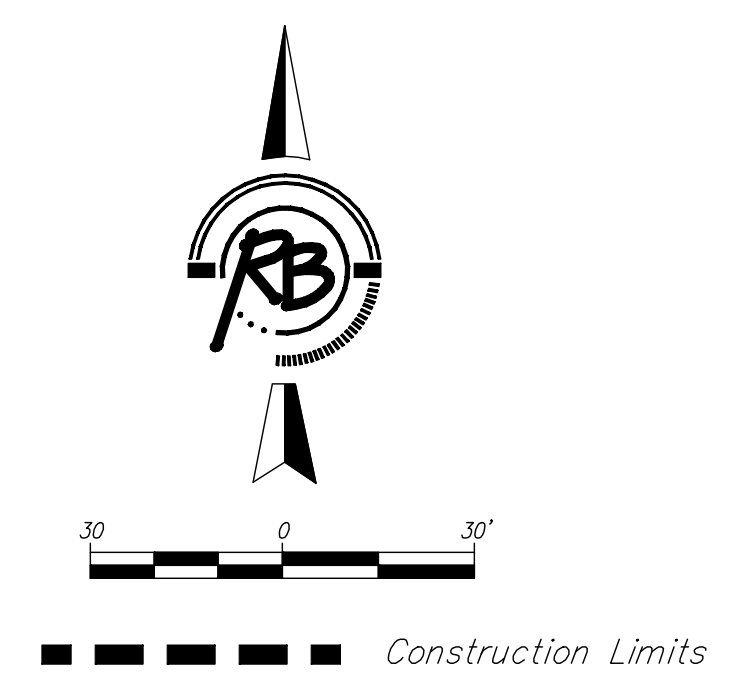


Pond 2 Weir Wall Detail

Air Entrained Concrete: $F_c = 4000$ psi @ 28 days
 Reinforcing: $F_y = 60000$ psi
 Cover over Reinforcing is 2" Clear unless otherwise indicated

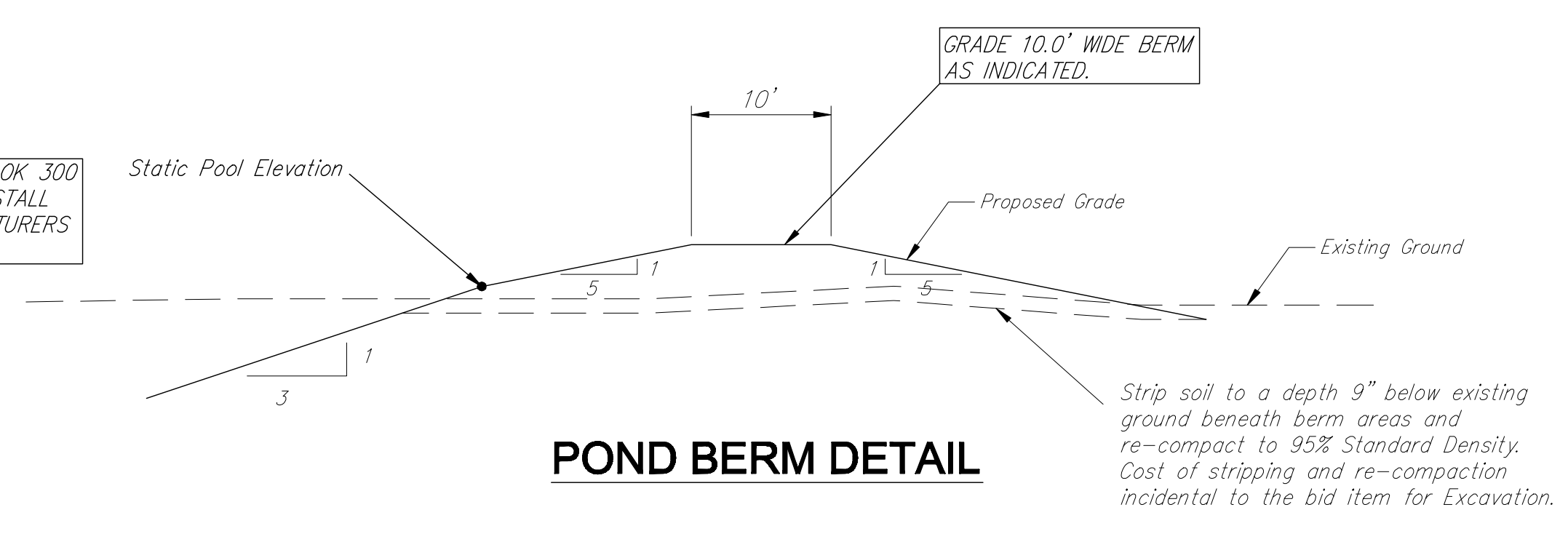


Weir Wall Profile



Point Table				
Point #	Northing	Easting	ELEV	Description
9000	19650.32	21596.02	1317.000	POND
9001	19574.36	21637.96	1317.000	POND
9002	19535.93	21718.03	1317.000	POND
9003	19545.80	21719.67	1317.000	POND
9004	19585.98	21640.96	1317.000	POND
9005	19679.22	21599.10	1317.000	POND
9006	19796.88	21579.15	1317.000	POND
9007	19855.21	21580.41	1317.000	POND
9008	19918.37	21574.66	1317.000	POND
9009	19943.37	21611.99	1317.000	POND
9010	19903.11	21653.12	1317.000	POND
9011	19854.66	21654.83	1317.000	POND
9012	19784.57	21699.39	1317.000	POND
9013	19721.98	21751.87	1317.000	POND
9014	19633.04	21798.66	1317.000	POND
9015	19562.99	21779.80	1317.000	POND
9016	19557.13	21787.83	1317.000	POND
9017	19597.34	21812.42	1317.000	POND
9018	19692.23	21779.74	1317.000	POND
9022	19697.39	21746.20	1313.500	POND
9023	19743.40	21713.27	1313.500	POND
9024	19790.38	21672.35	1313.500	POND
9025	19843.08	21640.24	1313.500	POND
9026	19881.25	21633.68	1313.500	POND
9027	19915.02	21631.96	1313.500	POND

Point Table				
Point #	Northing	Easting	ELEV	Description
9028	19925.71	21609.46	1313.500	POND
9029	19897.68	21589.30	1313.500	POND
9030	19845.49	21597.31	1313.500	POND
9031	19759.73	21599.77	1313.500	POND
9032	19639.87	21628.16	1313.500	POND
9033	19583.56	21670.71	1313.500	POND
9034	19561.43	21732.72	1313.500	POND
9035	19584.02	21743.02	1307.000	POND
9036	19613.75	21766.03	1307.000	POND
9037	19689.45	21727.92	1307.000	POND
9038	19739.72	21689.83	1307.000	POND
9039	19808.49	21636.70	1307.000	POND
9040	19845.83	21617.15	1307.000	POND
9041	19887.49	21613.98	1307.000	POND
9042	19905.84	21612.13	1307.000	POND
9043	19799.67	21616.01	1307.000	POND
9044	19703.74	21630.72	1307.000	POND
9045	19615.05	21664.54	1307.000	POND
9046	19558.79	21785.13		North Face Weir
9047	19541.53	21717.29		North Face Weir



Bellechase 2nd Addition Pond Plan WICHITA, KANSAS

Ruggles & Bohm, P.A.
 Engineering, Surveying, Land Planning

824 North Main
 Wichita, Kansas 67203
 www.rbkansas.com

(316) 264-8008
 (316) 264-4821 fax
 E-mail: info@rbkansas.com

DESIGN: EUG
 DRAWN: EUG
 CHECKED: EUG
 DATE: Nov. 19, 2008
 UTILITY

PROJECT NUMBER: 468-84552

DATE: Feb. 5, 2009

4 of 23