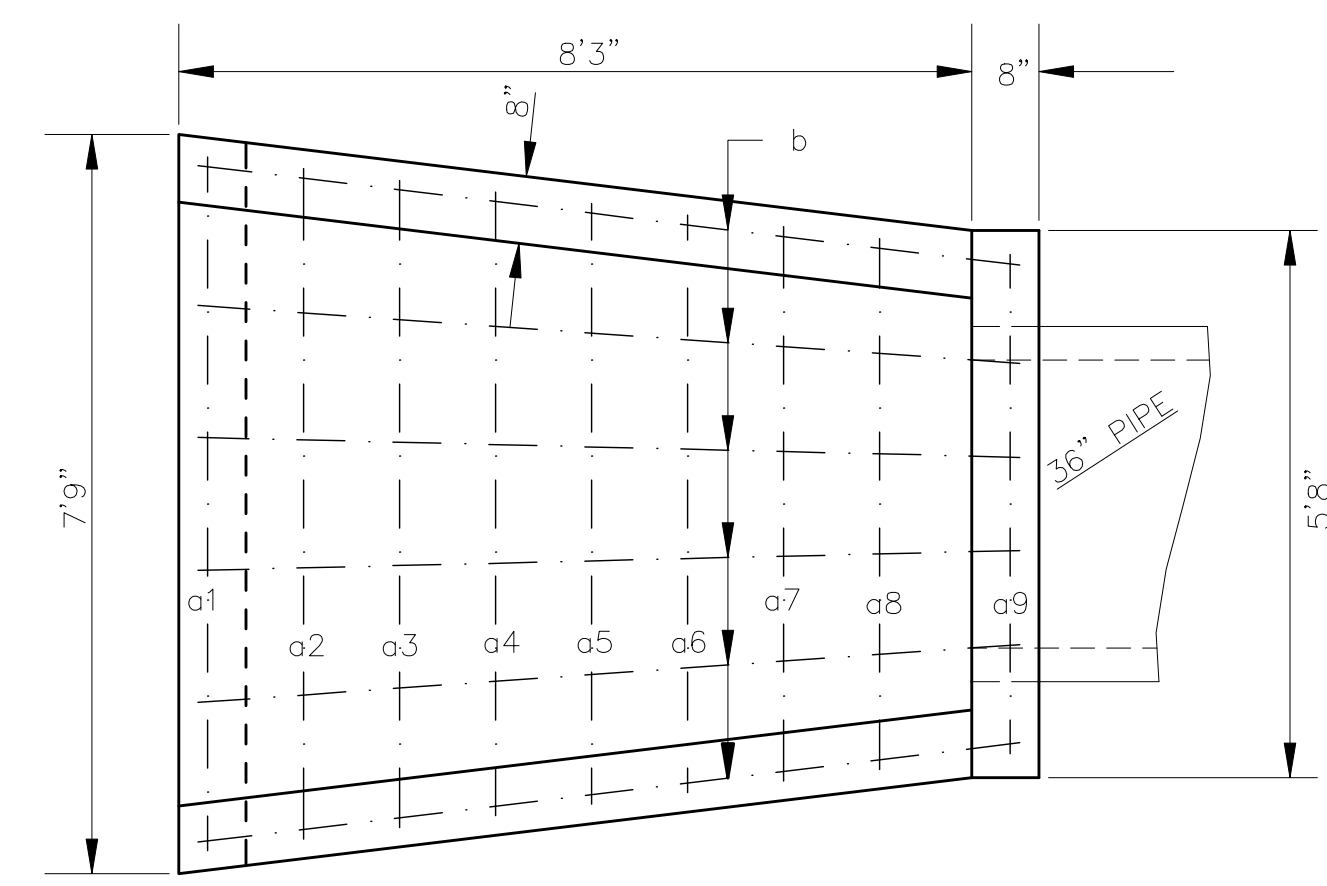


All exposed edges to have 1/2" bevel

PLAN

TABLE OF QUANTITIES				
BAR	NUMBER	LENGTH	SHAPE	WEIGHT
a1	1	10'10"	[]	7.24
a2	1	11'3"	[]	7.52
a3	1	11'8"	[]	7.79
a4	1	12'1"	[]	8.07
a5	1	12'6"	[]	8.35
a6	1	13'0"	[]	8.68
a7	1	13'5"	[]	8.96
a8	1	13'10"	[]	9.24
a9	1	14'3"	[]	9.52
a10	1	14'8"	[]	9.80
a11	1	15'2"	[]	10.13
a12	1	16'10"	[]	11.24
b	8	12'7"	[]	67.25
c	2	8'6"	[]	11.36
d	2	11'6"	[]	15.36
e	3	6'5"	[]	12.91
f	2	10'9"	[]	14.36
g	2	9'0"	[]	12.02
h1	4	1'2"	[]	3.12
h2	4	8"	[]	1.78
j	4	3'3"	[]	8.68
k	7	2'6"	[]	11.69
Total Rebar, lbs				265.07
Concrete, C.Y.				4.75

All rebars to be #4.

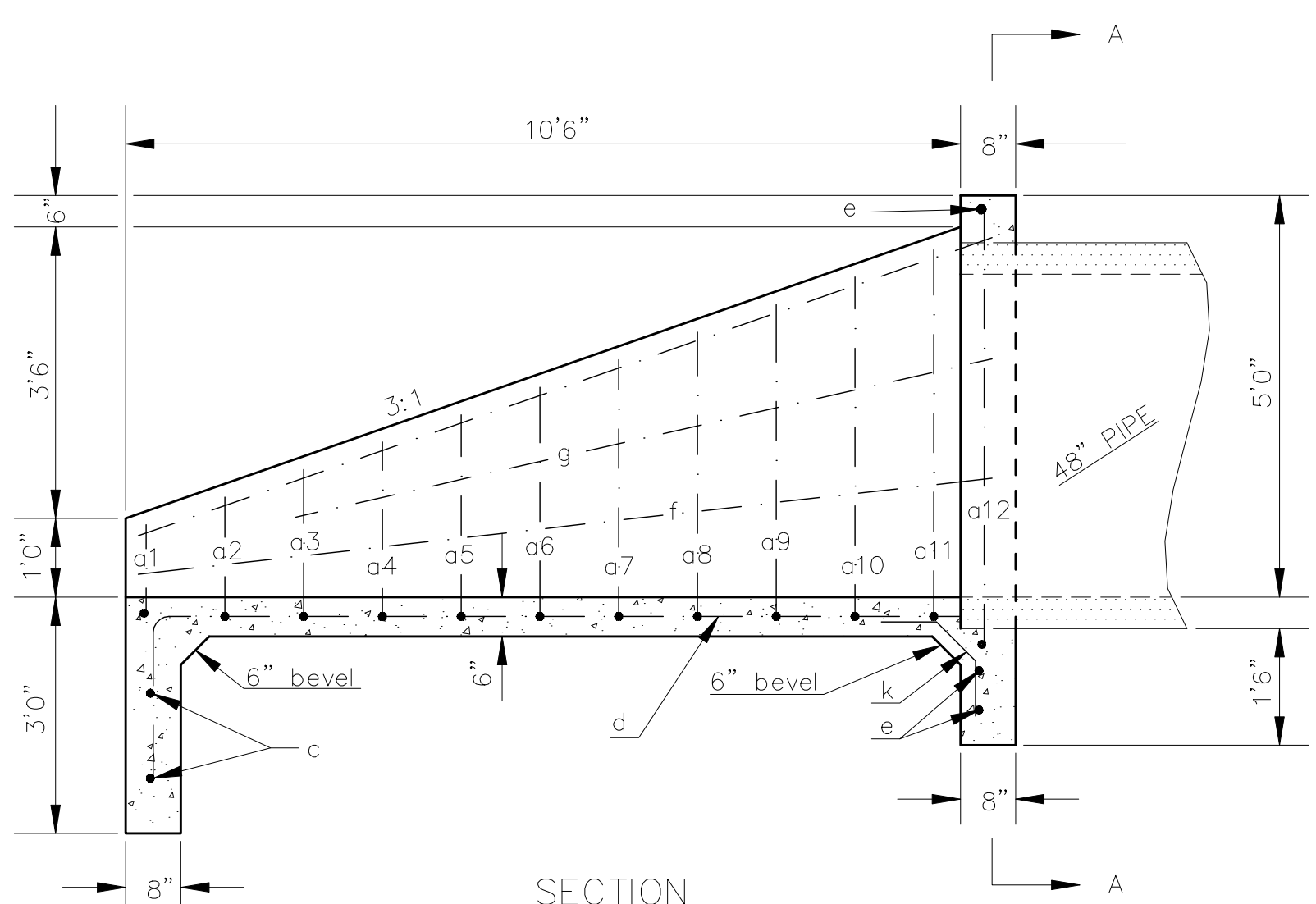


All exposed edges to have 1/2" bevel

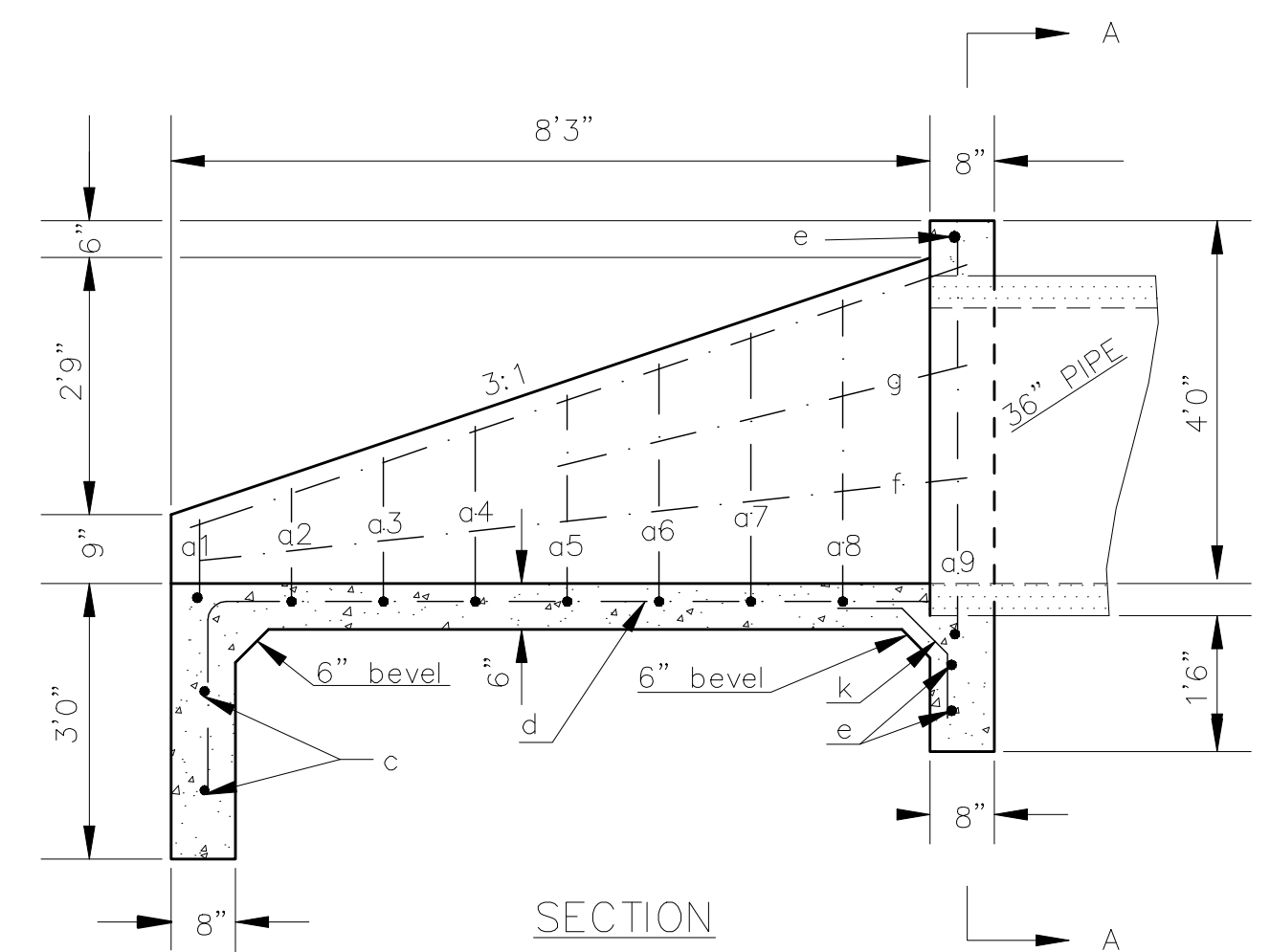
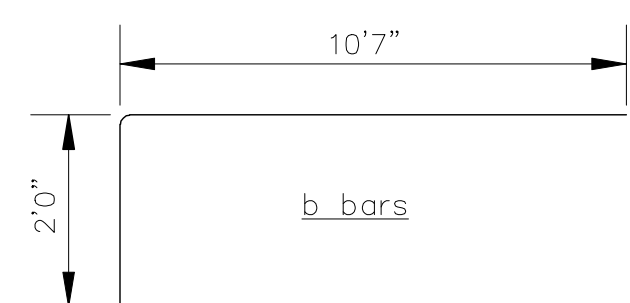
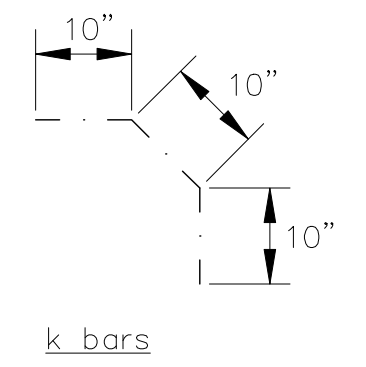
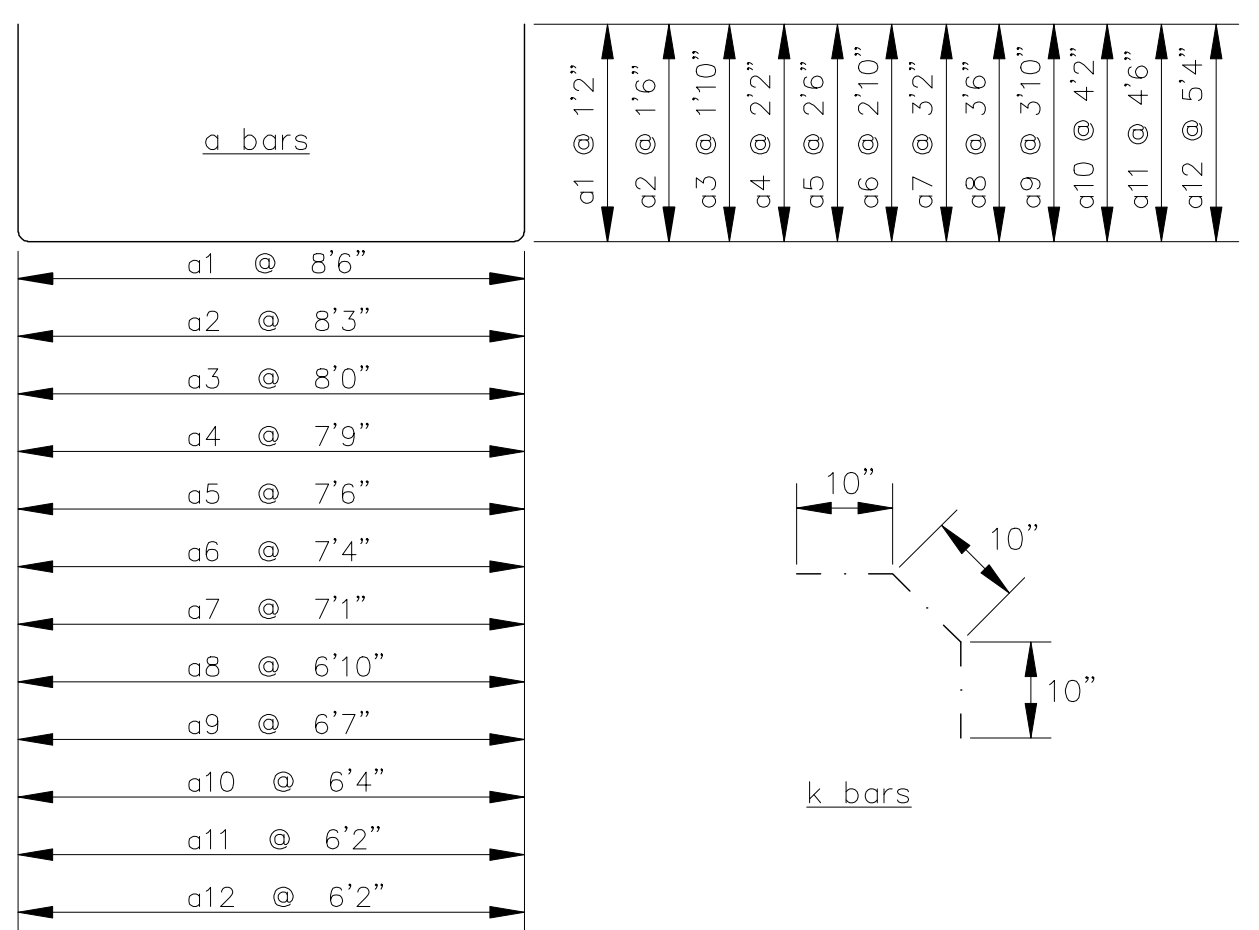
PLAN

TABLE OF QUANTITIES				
BAR	NUMBER	LENGTH	SHAPE	WEIGHT
a1	1	8'7"	[]	5.73
a2	1	9'0"	[]	6.01
a3	1	9'7"	[]	6.40
a4	1	10'0"	[]	6.68
a5	1	10'5"	[]	6.96
a6	1	10'10"	[]	7.24
a7	1	11'3"	[]	7.52
a8	1	11'10"	[]	7.90
a9	1	14'0"	[]	9.35
b	6	10'4"	[]	41.42
c	2	7'0"	[]	9.35
d	2	9'0"	[]	12.02
e	3	5'4"	[]	10.69
f	2	8'5"	[]	11.24
g	2	4'7"	[]	6.12
h1	4	1'6"	[]	4.01
h2	4	10"	[]	2.23
j	4	3'0"	[]	8.02
k	6	2'6"	[]	10.02
Total Rebar, lbs				178.91
Concrete, C.Y.				3.2

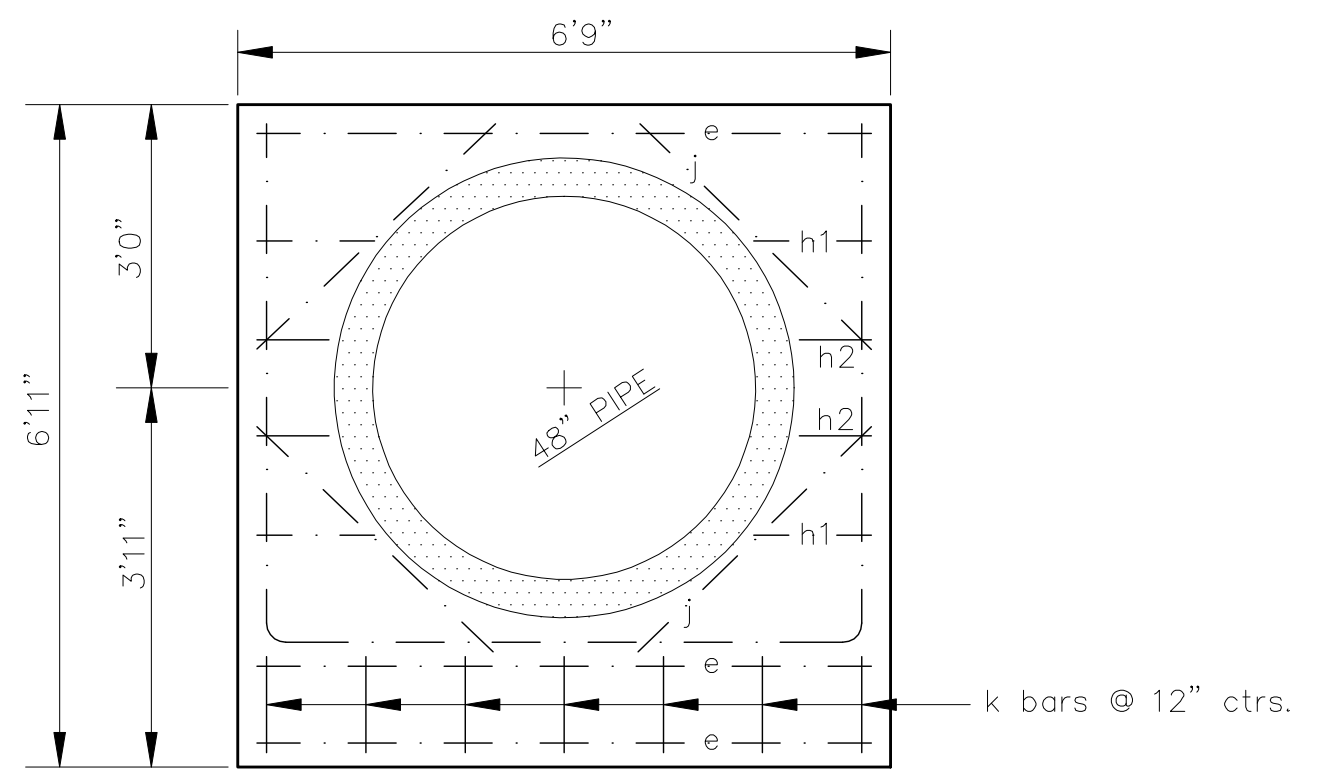
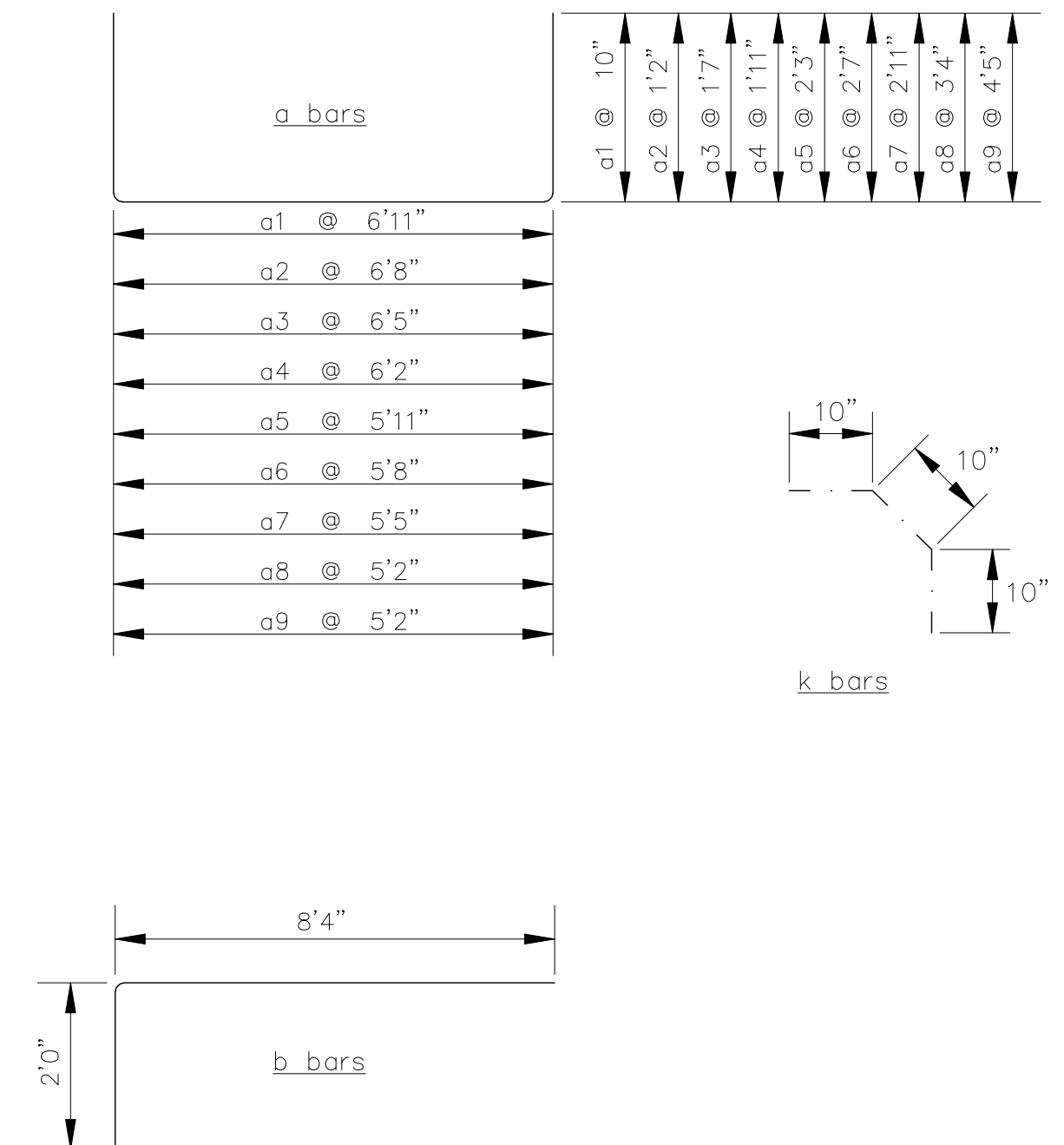
All rebars to be #4.



SECTION

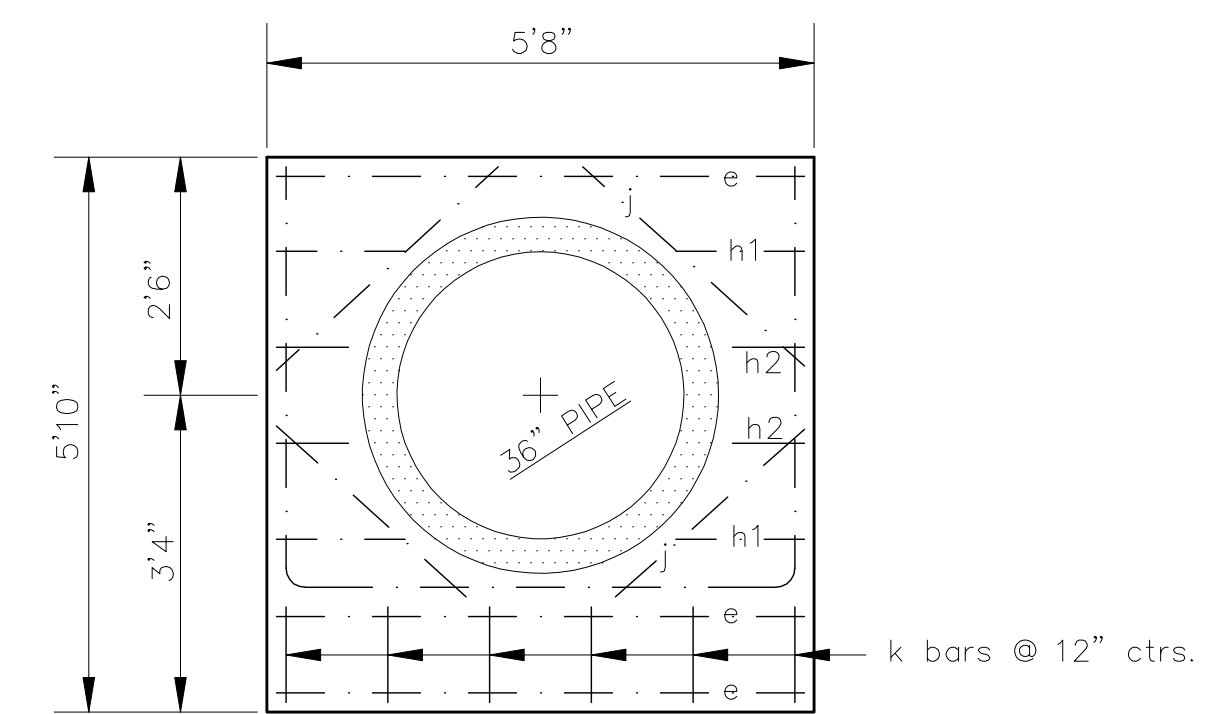


SECTION




A-A SECTION

HEADWALL FOR 48" PIPE



A-A SECTION

HEADWALL FOR 36" PIPE



THE CITY OF WICHITA

CITY ENGINEER'S OFFICE
CITY HALL - SEVENTH FLOOR
455 NORTH MAIN STREET
WICHITA, KANSAS 67202
(316) 268-4501
(316) 268-4114 FAX

**HEADWALL DETAILS FOR
36" AND 48" PIPE**

PROJECT NUMBER 468-84552	OCA # 751480
DATE MAR 96	
SHEET 10 OF 22	