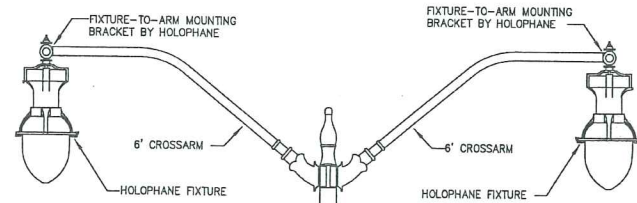
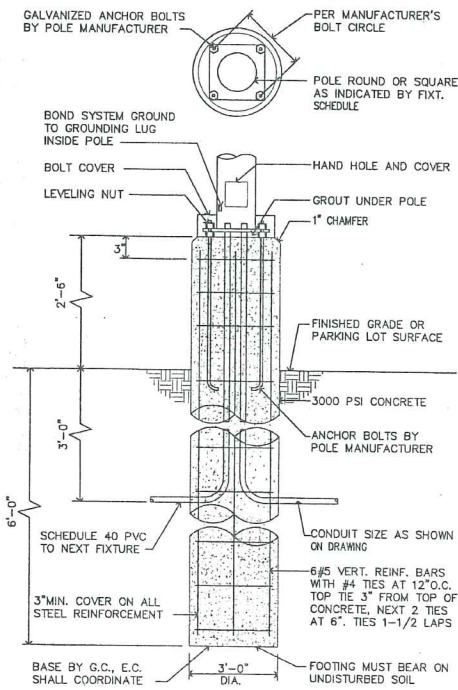


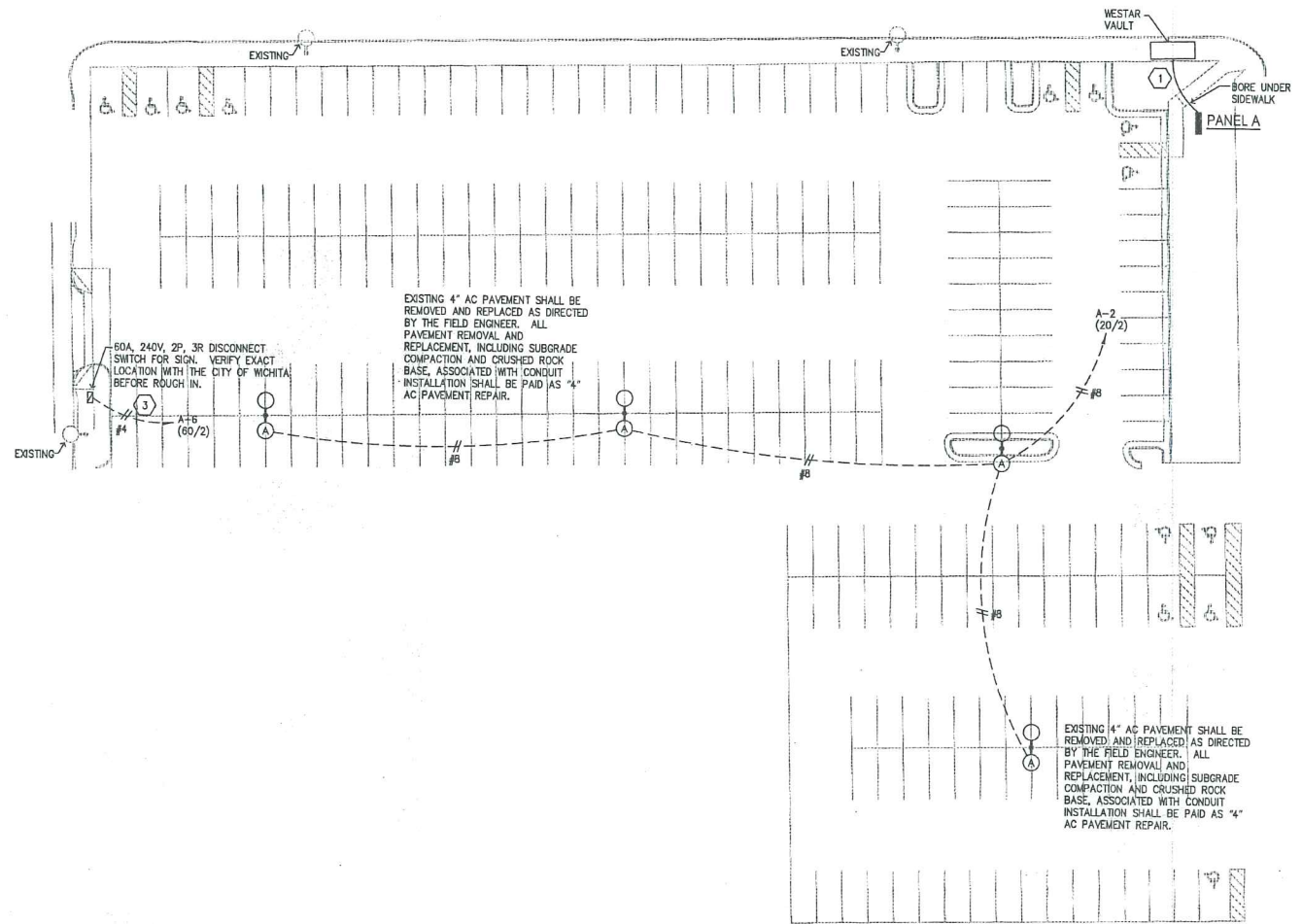
FHWA REGION NO.	STATE	PROJECT NUMBER	FISCAL YEAR	SHEET NUMBER	TOTAL SHEETS
X	KANSAS	X	X		X



LIGHT FIXTURE "A" DETAIL
 NO SCALE
 NOTE: FIXTURE "B" SIMILAR, ONLY 1 FIXTURE PER POLE.



POLE BASE DETAIL
 N.T.S.

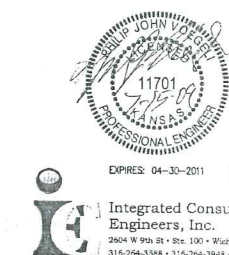


B1- Lighting Plan
 Scale 1" = 30'0"

LIGHT FIXTURE SCHEDULE							
FIXT LTR	MANUFACTURER	CATALOG NUMBER	LAMPS NO. TYPE	FIXT. VOLT.	FINISH	MOUNTING	REMARKS
A	HOLOPHANE	CBART30J/2/TWA/ES400HPMTBA/CS	2 400HPS	208V	BLACK	28' POLE	SEE DETAIL FOR FIXTURE AND POLE

LIGHT FIXTURE SCHEDULE NOTES

1 MANUFACTURERS LISTED IN THIS SCHEDULE OR BY WRITTEN ADDENDUM WILL BE THE ONLY APPROVED MANUFACTURERS TO BID THE LIGHTING FIXTURES FOR THIS PROJECT. CONTRACTORS AND SUPPLIERS USING PRICING FROM MANUFACTURERS NOT LISTED ON SCHEDULE OR BY ADDENDUM DO SO AT THEIR OWN RISK.



Integrated Consulting Engineers, Inc.
 2624 W 96th St - Box 1307 - Wichita, KS 67203
 316-254-3384 • 316-264-3948 • info@ice-engineers.net

INTRUST ARENA PARKING LOT B ELECTRICAL PLANS WICHITA, KANSAS

Ruggles & Bohm, P.A.
 Engineering, Surveying, Land Planning

924 North Main
 Wichita, Kansas 67203
 www.rbkansas.com

(316) 264-8008
 (316) 264-4621 fax
 E-mail: info@rbkansas.com

DESIGN	ICE	SHEET B6 OF 7
DRAWN	ICE	
REVIEW		
UTILITY		
DRAWING FILE	PROJECT NUMBER	DATE JULY 2009