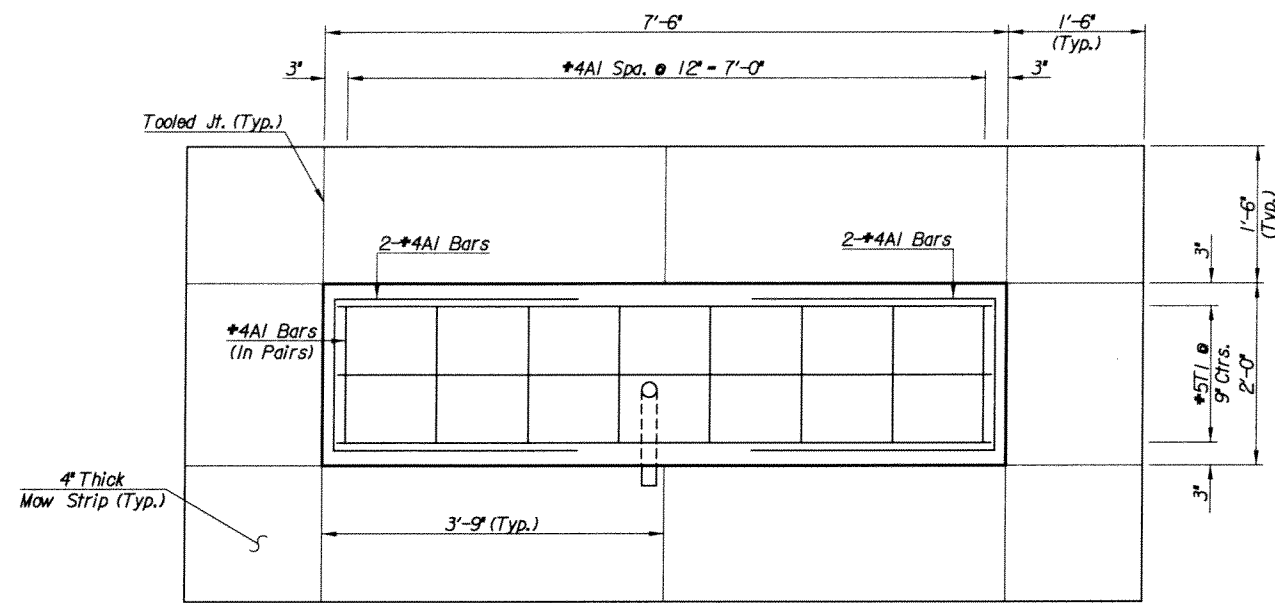


GENERAL NOTES

1. Use 3000 p.s.i. 28 day compressive strength concrete throughout. All exposed edges shall be finished with an edging tool. All Reinforcing shall conform to ASTM A615, Grade 60.
2. All reinforcing to have 2" edge and end clearance unless noted.
3. Use 3"x10" Rough Wire Brick Running Bond form liner (Pattern #1317) from "Spec Formliners, Inc.", or approved equal.
4. Paint Grout area with "Sherwin Williams Ultracrete Solvent-borne Coating: Fine Textured", color 7642 Pavestone, or approved equal.
5. Paint Brick area with "Sherwin Williams Ultracrete Solvent-borne Coating: Fine Textured", color 6335 Fired Brick, or approved equal.
6. Painted concrete shall have the appearance of brick and mortar.
7. Prepare surface as required by paint recommendations.

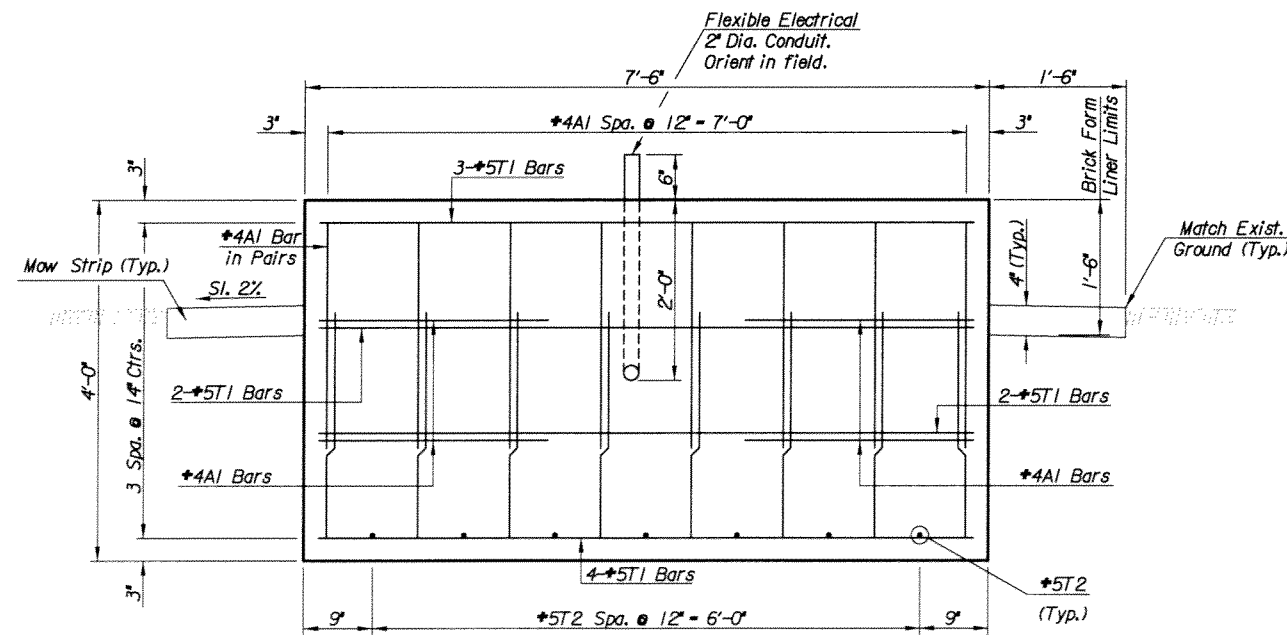
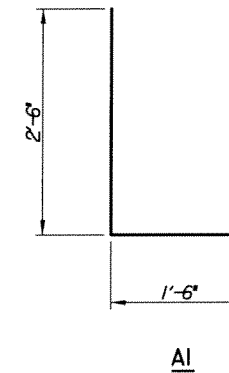
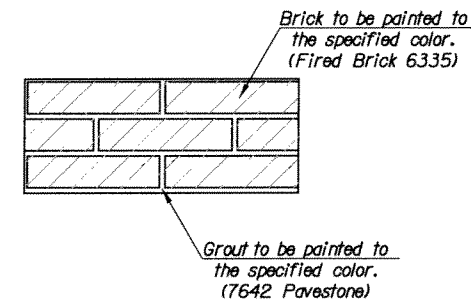


PLAN
(Top View Shown)

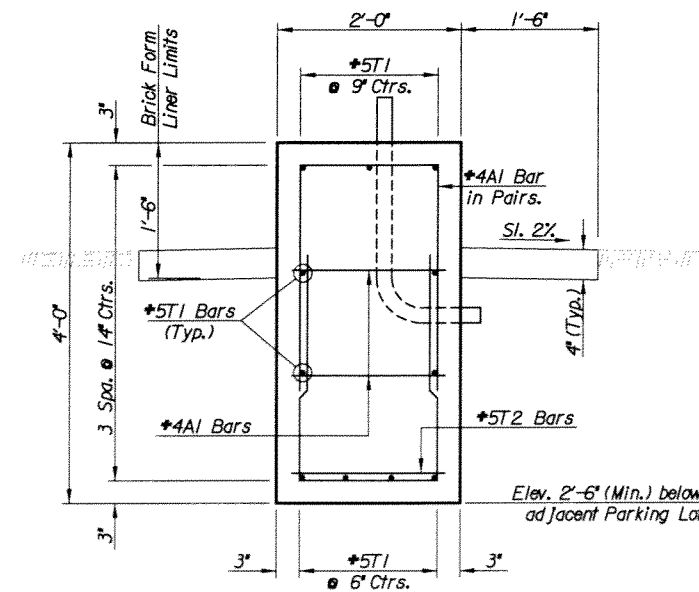
REINFORCING STEEL							
Straight Bars				Bent Bars			
Mark	Size	Number	Length	Mark	Size	Number	Length
T1	#5	11	7'-2"	A1	#4	20	6'-6"
T2	#5	7	1'-8"				

* BILL OF MATERIALS		
Item	Quantity	Unit
Reinforcing Steel (Grade 60)	182	Lbs.
Concrete (Grade 3.0)	2.3	C.Y.
Flexible Elec. Conduit	5.0	L.F.
Sidewalk (#)	37.5	S.F.
Painting	29	S.F.

* For informatin only.



ELEVATION



TYPICAL SECTION

	CITY OF WICHITA INTRUST BANK ARENA PARKING DMS FOUNDATION (LOT B) JAMES L. ARMOUR, P.E.-CITY ENGINEER CITY OF WICHITA PROJECT NO.		
	Professional Engineering Consultants, P.A. 303 S. TOPEKA • WICHITA, KANSAS 67202 316-262-2691 • FAX 316-262-3003		
	Designed by RJM Drawn by CP	Job No. 09213 Date July, 2009	Sh. 1 of 1