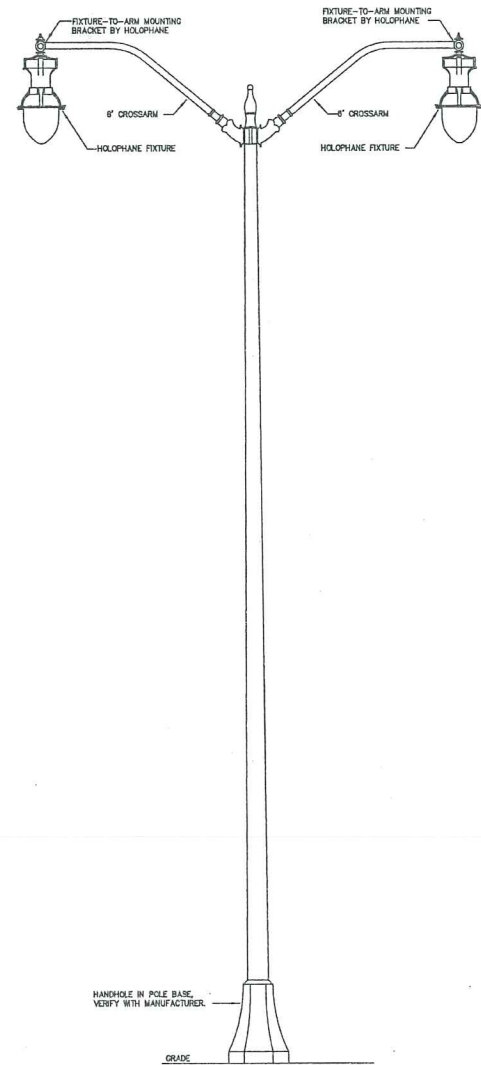
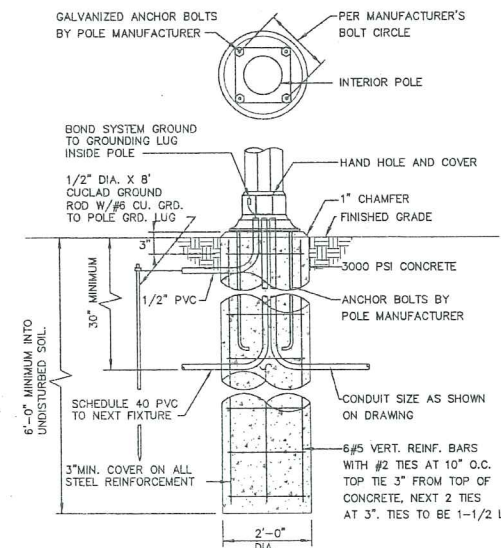


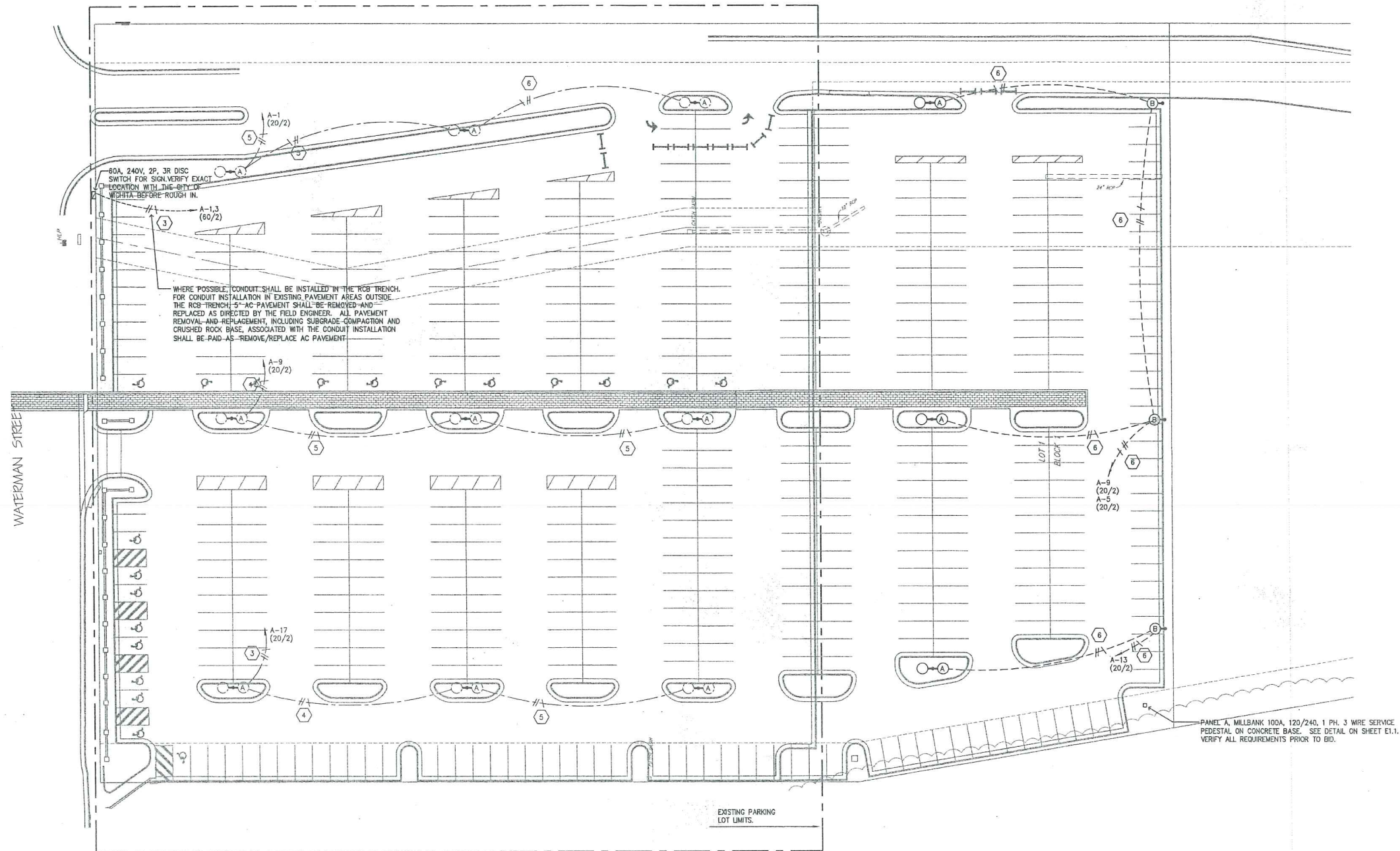
FHWA REGION NO.	STATE	PROJECT NUMBER	FISCAL YEAR	SHEET NUMBER	TOTAL SHEETS
X	KANSAS	X	X	-	X



LIGHT FIXTURE "A" DETAIL
N.T.S.
NOTE: FIXTURE "B" SIMILAR, ONLY 1 FIXTURE PER POLE.



POLE BASE DETAIL
N.T.S.



EXPIRES: 04-30-2011 09060.00-041
Integrated Consulting Engineers, Inc.
2604 W 9th St. - Ste. 100 - Wichita, KS 67203
316-264-3588 • 316-264-3948 • kansas@iceng.com

**INTRUST ARENA PARKING LOT D
ELECTRICAL PLANS
WICHITA, KANSAS**

Ruggles & Bohm, P.A.
Engineering, Surveying, Land Planning
924 North Main
Wichita, Kansas 67203
www.rbkansas.com
(316) 264-8008
(316) 264-4621 fax
E-mail: info@rbkansas.com

DESIGN	DATE	SHEET D9 OF 15
DRAWN	DATE	
REVIEW	DATE	
UTILITY	DATE	

DRAWING FILE	PROJECT NUMBER
--------------	----------------