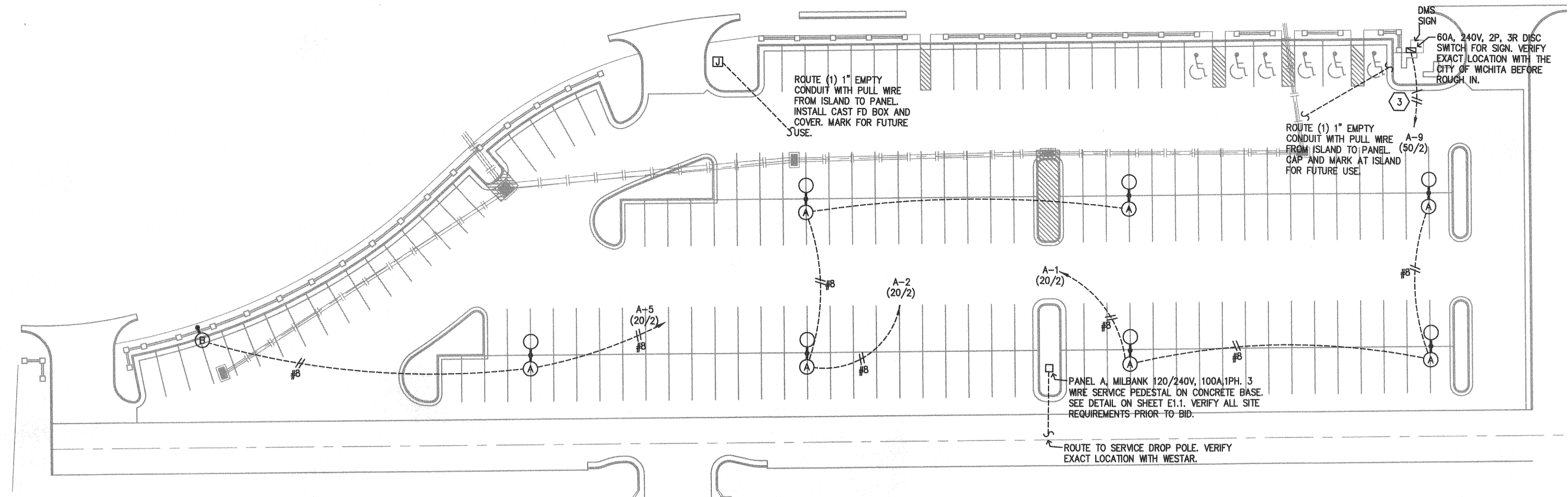


HANDHOLE IN POLE BASE, VERIFY WITH MANUFACTURER.
SEE POLE BASE DETAIL FOR CONTINUATION

LIGHT FIXTURE "A" DETAIL
NO SCALE
NOTE: FIXTURE "B" SIMILAR, ONLY 1 FIXTURE PER POLE.

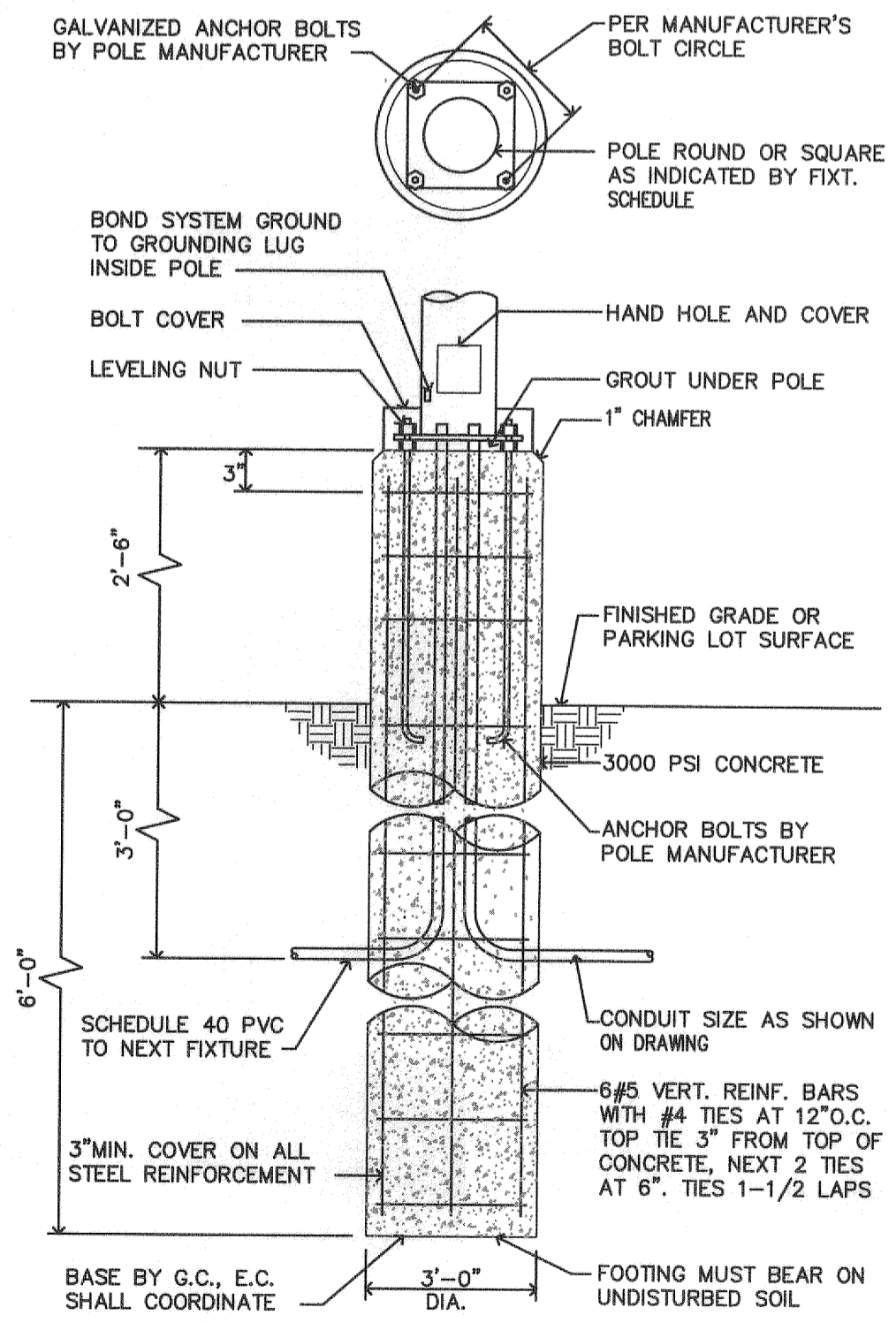


Emporia- Lighting Plan
Scale 1" = 30'0"

LIGHT FIXTURE SCHEDULE								
FIXT LTR	MANUFACTURER	CATALOG NUMBER	LAMPS		FIXT. VOLT.	FINISH	MOUNTING	REMARKS
			NO.	TYPE				
A	HOLOPHANE	CBART30J/2/TWA/ES400HPMTBA/CS	2	400HPS	208V	BLACK	30' POLE	SEE DETAIL FOR FIXTURE AND POLE
B	HOLOPHANE	CBART30J/1/TWA/ES400HPMTBA/CS	1	400HPS	208V	BLACK	30' POLE	SEE DETAIL FOR FIXTURE AND POLE

LIGHT FIXTURE SCHEDULE NOTES

① MANUFACTURERS LISTED IN THIS SCHEDULE OR BY WRITTEN ADDENDUM WILL BE THE ONLY APPROVED MANUFACTURERS TO BID THE LIGHTING FIXTURES FOR THIS PROJECT. CONTRACTORS AND SUPPLIERS USING PRICING FROM MANUFACTURERS NOT LISTED ON SCHEDULE OR BY ADDENDUM DO SO AT THEIR OWN RISK.



POLE BASE DETAIL
N.T.S.

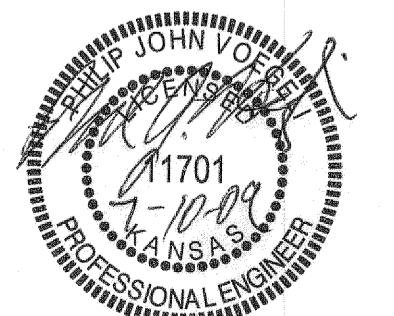
Drawing File: E:\eng\Intrust Bank Arena Parking Lots\Title and Note Page.dwg
Project No. 0903-E274 CITY OF WICHITA

Design: ICE
Drawn: ICE
Approved: ICE
Scale: As Shown

Intrust Arena Parking Lots
Emporia Lighting Plan

Integrated Consulting Engineers, Inc.
2604 W 9th St • Ste. 100 • Wichita, KS 67203
316-264-3588 • 316-264-3948 • iconengineers.net

Baughman Company, P.A.
315 Ellis St. Wichita, KS 67211 P 316-262-7271 F 316-262-0149



July, 2009
SHEET B11
OF 31