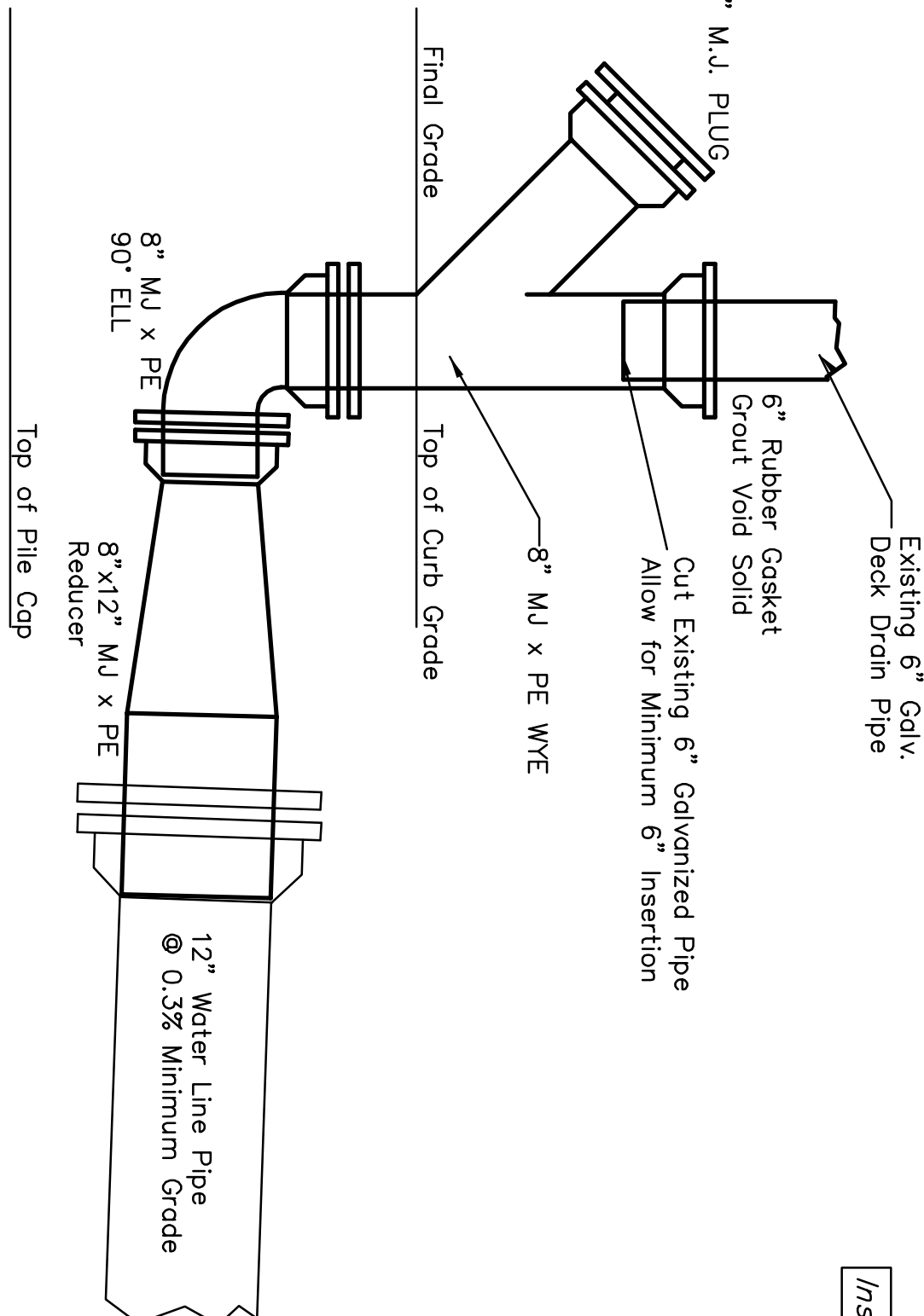
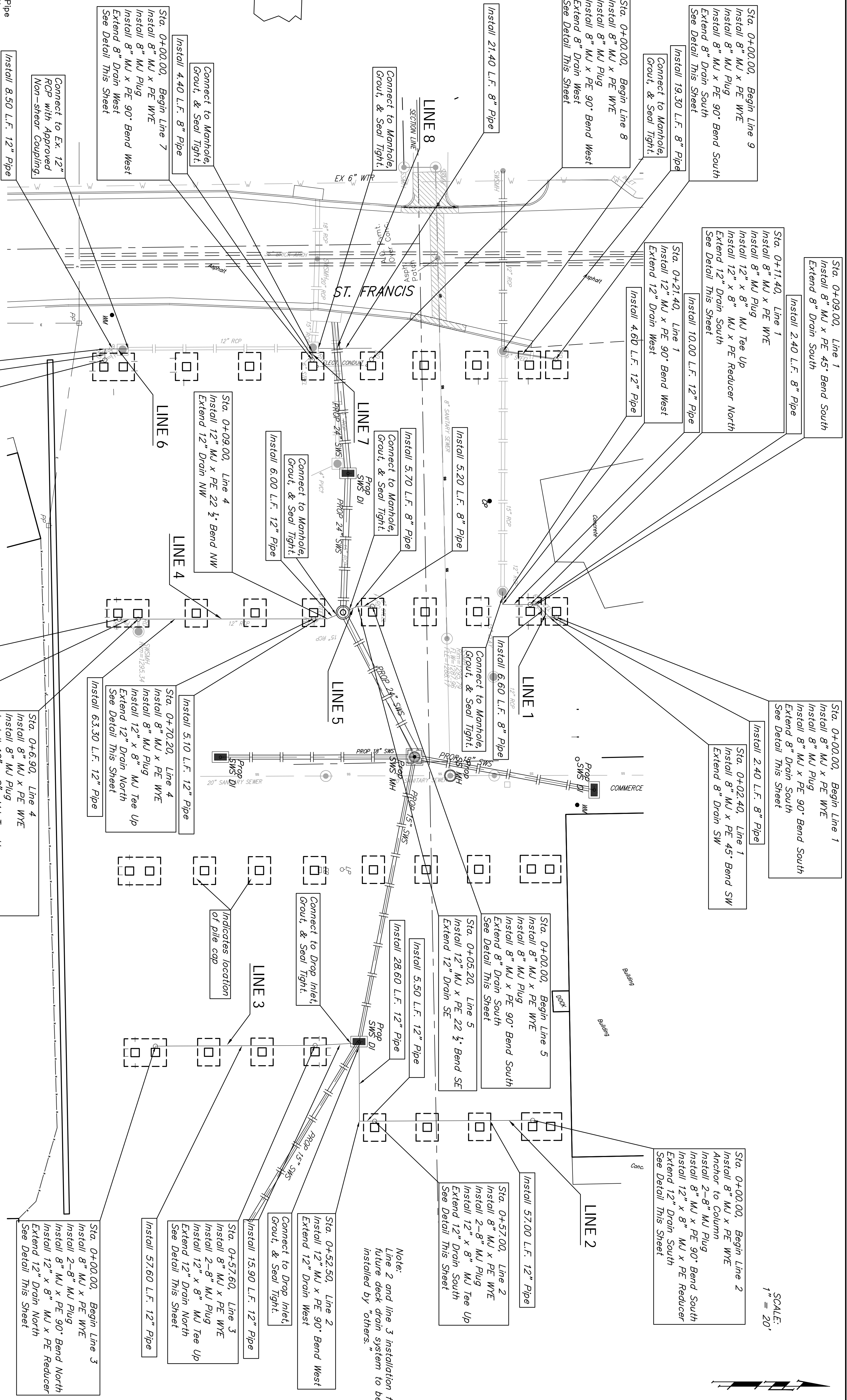
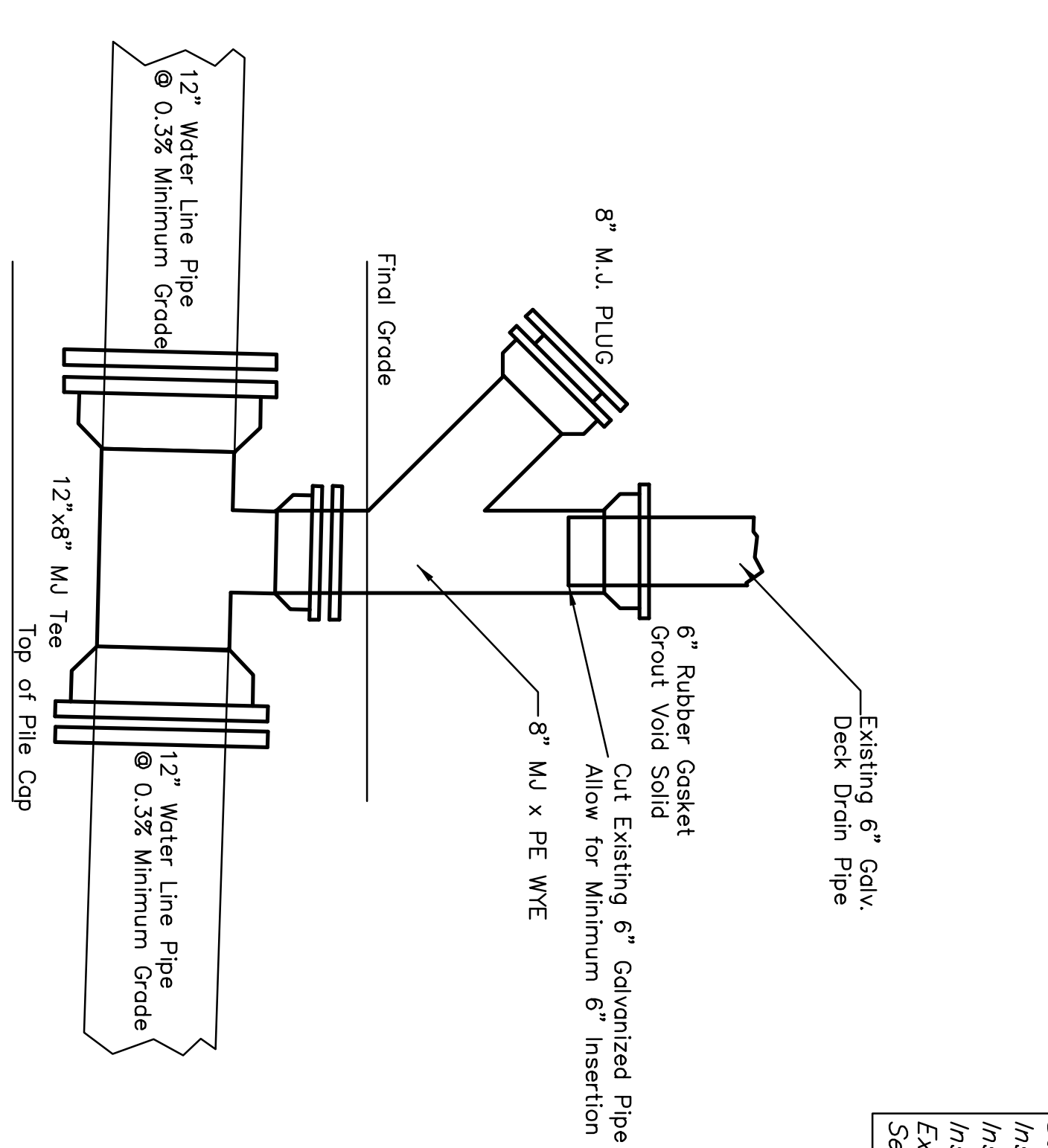


CONNECTION DETAIL NOTES

1. ALL ABOVE GRADE CONNECTIONS SHALL BE MADE WITH DUCTILE IRON FITTINGS. CONTRACTOR MAY ELECT TO USE PVC WATER LINE PIPE BELOW GRADE.
2. CONTRACTOR SHALL BE RESPONSIBLE FOR CONTACTING KANSAS DEPARTMENT OF TRANSPORTATION SHOULD EXISTING DECK DRAIN PIPE BE PLUGGED PRIOR TO NEW CONNECTION TO UNDERGROUND DRAIN SYSTEM.
3. CONTRACTOR MAY BE REQUIRED TO MODIFY EXISTING DECK DRAIN COLUMN ANCHORS TO ENSURE STABILITY OF ABOVE GROUND DRAIN COMPONENTS. MODIFICATIONS SHALL BE CONSIDERED INCIDENTAL TO THE LUMP SUM BID ITEM: BRIDGE DECK DRAIN SYSTEM"
4. CONNECTIONS TO NEW AND EXISTING STRUCTURES ARE NOT DETAILED IN SMS PLANS. CONTRACTOR SHALL BE RESPONSIBLE FOR CORING INTO NEW AND EXISTING STRUCTURES FOR PIPE CONNECTIONS.
5. DRILLING INTO EXISTING BRIDGE COLUMNS SHALL NOT BE ALLOWED. CONTRACTOR MAY BE REQUIRED TO ANCHOR ABOVE GRADE PIPE AND/OR FITTINGS BY BANDING. BANDING OPERATIONS TO BE INCIDENTAL.



Exterior Column Bridge Drain Connection



SCALE:
1" = 20'

Note:
Line 2 and line 3 installation for future deck drain system to be installed by others.

Note:
The Bid Item "Bridge Deck Drain System" (L.S.) Shall include all Labor, Materials, Tools, Equipment, and Etc. to install the Bridge Deck Drainage System Complete and in Place Whether Said or Shown Items are Specifically Mentioned or Not.

Summary of Material

82.3 L.F. 8" Pipe
262.1 L.F. 12" Pipe
2-12" MU x PE 90° Bend
2-8" MU x PE 45° Bend
11-8" MU x PE 90° Bend
2-12" MU x PE 22 1/2° Bend
3-12" x 8" MU Tee
5-12" x 8" MU x PE Reducer
14-8" MU Plug
14-8" MU x PE WYE

For information only

Interior Column Bridge Drain Connection

Drawing File: E:\ENGS\Unstud Bank Arena Parking Lot\St Francis Parking\LDWG\SFP splan.dwg (Bridge Drain Plan)
 Project No: 0903E274
 Date: TCA
 Name: TCA
 Approval: DM/B
 Scale: 1"=20'

CITY OF WICHITA
BRIDGE DRAIN PLAN
 ST. FRANCIS PARKING LOT

Baughman Company, P.A.
 ENGINEERS | SURVEYORS | PLANNERS | LANDSCAPE ARCHITECTS
 315 Ellis St. Wichita, KS 67211 P 316.629.2771 F 316.629.0149