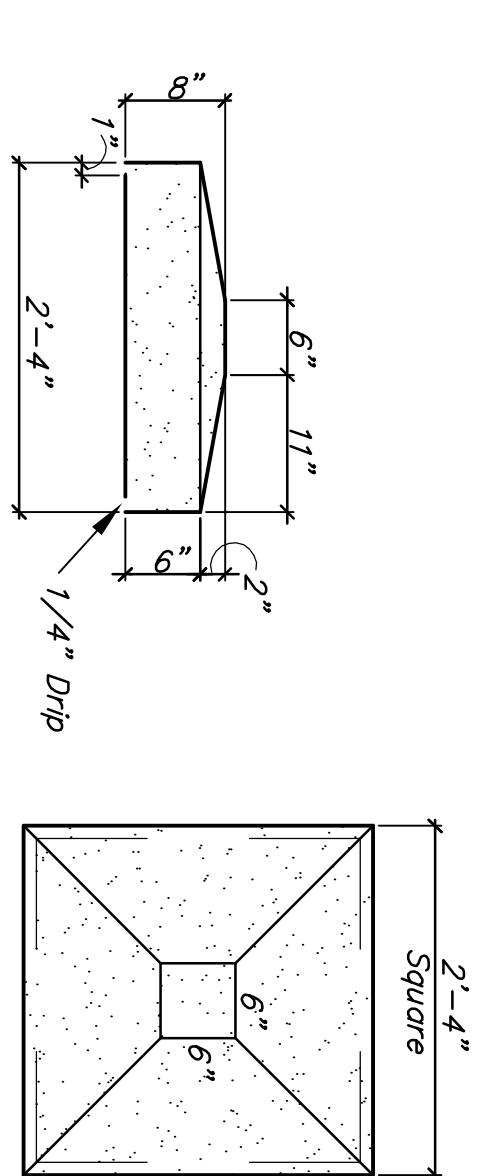


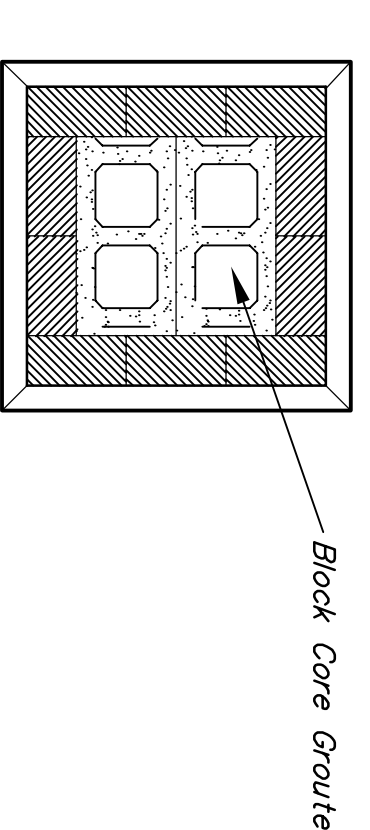
SCREEN WALL ELEVATION

CONSTRUCTION NOTES

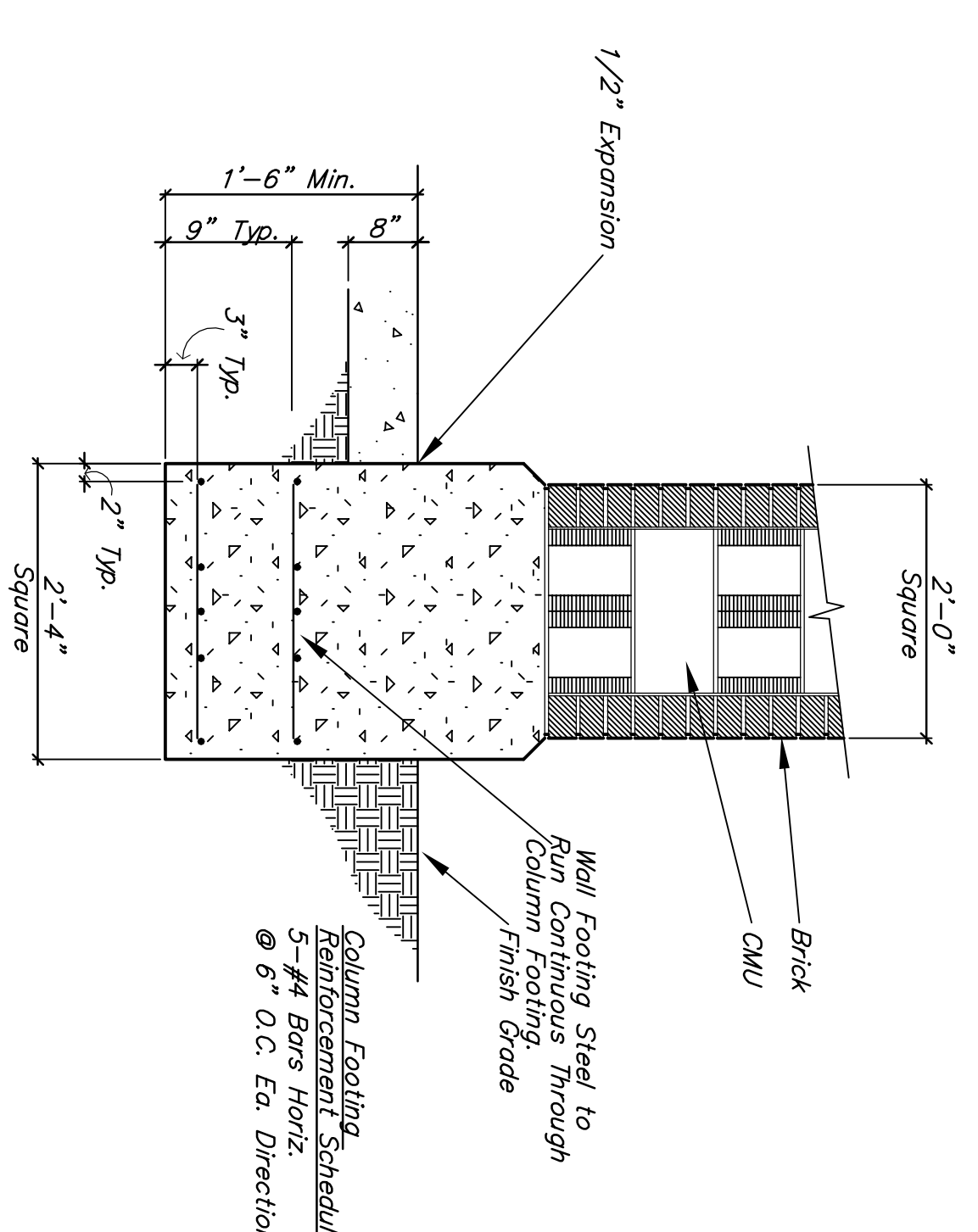
1. ALL STRUCTURAL REGULAR WT. CONCRETE SHALL ATTAIN MIN. COMPRESSIVE STRENGTH OF 4000 PSI @ 28 DAYS. ALL CONCRETE SHALL BE IN CONFORMANCE WITH THE LATEST ACI 301 STANDARDS PUBLICATION.
2. ALL REINFORCING BARS SHALL MEET ASTM A615 GRADE 40 MINIMUM.
3. CONCRETE PROTECTION FOR REINFORCEMENT SHALL BE 2" CLEAR FOR FORMER SURFACES & 3" CLEAR FOR FOOTINGS.
4. WALL FOOTINGS SHALL BEAR INTO UNDISTURBED NON-ORGANIC SOIL. IF ACTUAL SITE CONDITIONS DO NOT SATISFY THESE REQUIREMENTS, COORDINATE ADJUSTMENTS WITH PROJECT ENGINEER.
5. ALL EXPOSED CONCRETE SHALL BE OLD TOWN COLOR MIX OR APPROVED EQUAL. CURED CONCRETE COLOR TO BE APPROVED BY ENGINEER PRIOR TO CONSTRUCTION.
6. ALL EXPOSED BRICK IN COLUMNS AND MASONRY WALLS TO BE GRADE SW HOLLOW MASONRY UNITS MEETING ASTM DESIGNATION SPED C216-86.
7. TYPE N MORTAR SHALL BE USED FOR ALL EXPOSED BRICK. MORTAR THICKNESS TO BE 3/8"; COLOR TO MATCH EXPOSED CONCRETE.
8. BRICK USED IN WALLS SHALL BE "MIDLAND OXIDE RED" STANDARD SIZE BRICK MANUFACTURED BY GLEN GERRY OR APPROVED EQUAL.
9. ALL BRICK AND MORTAR WORK SHALL CONFORM TO THE LATEST EDITION OF THE UNIFORM BUILDING CODE AS ADOPTED BY THE CITY OF WICHITA.
10. MIN. LAP FOR REBAR SHALL BE AS FOLLOWS:
 - #5 20"
 - #4 16"
 - #3 12"
11. EXTERIOR RATED CONSTRUCTION ADHESIVE TO BE APPLIED BETWEEN CAP AND WALL SECTION (ALL LOCATIONS, TYPICAL)



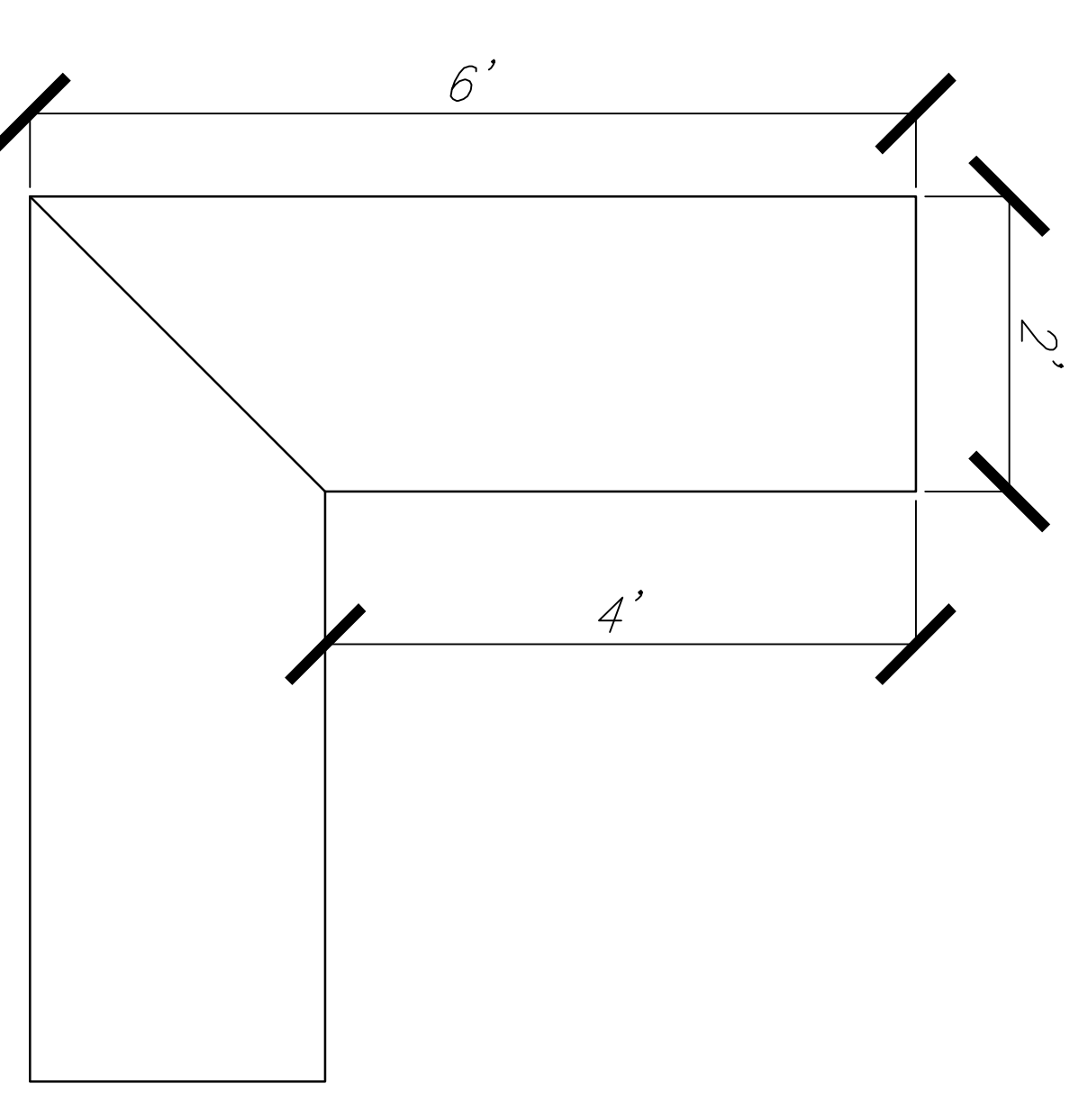
PLAN & SECTION CONCRETE CAP @ PIER
NO SCALE



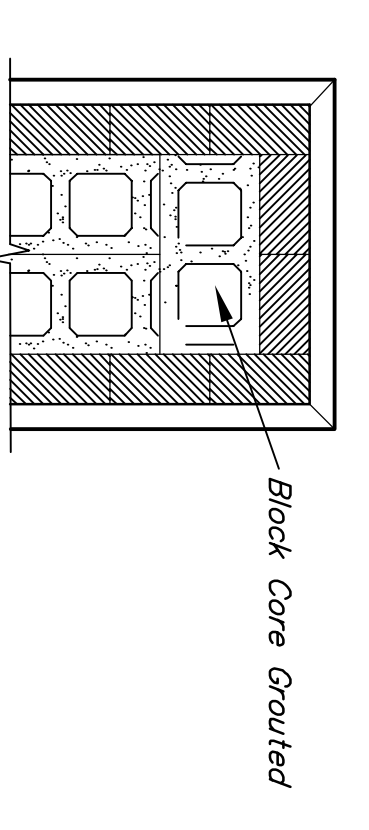
COLUMN BLOCK PLAN
NO SCALE



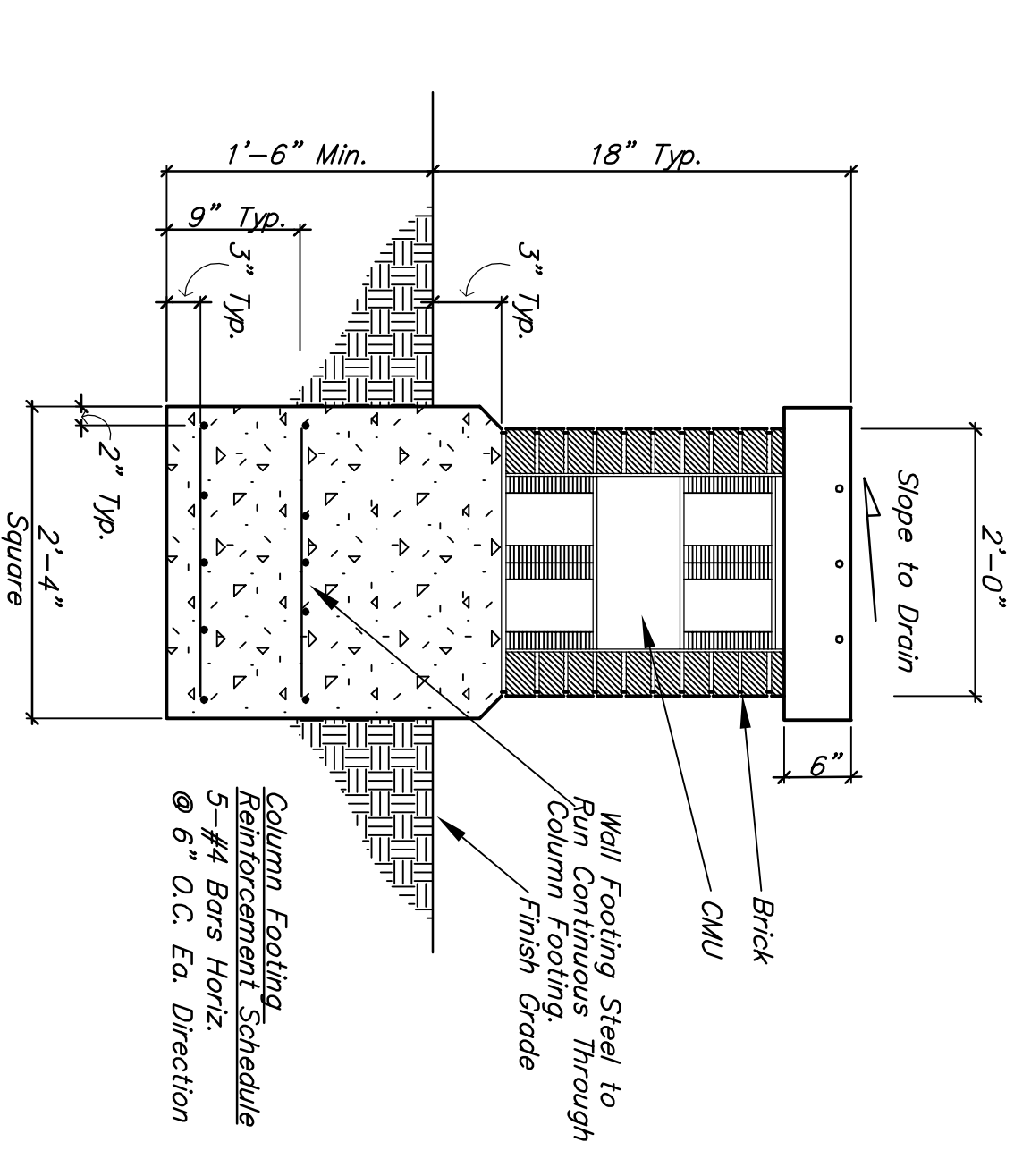
COLUMN SECTION & FOOTING
NO SCALE



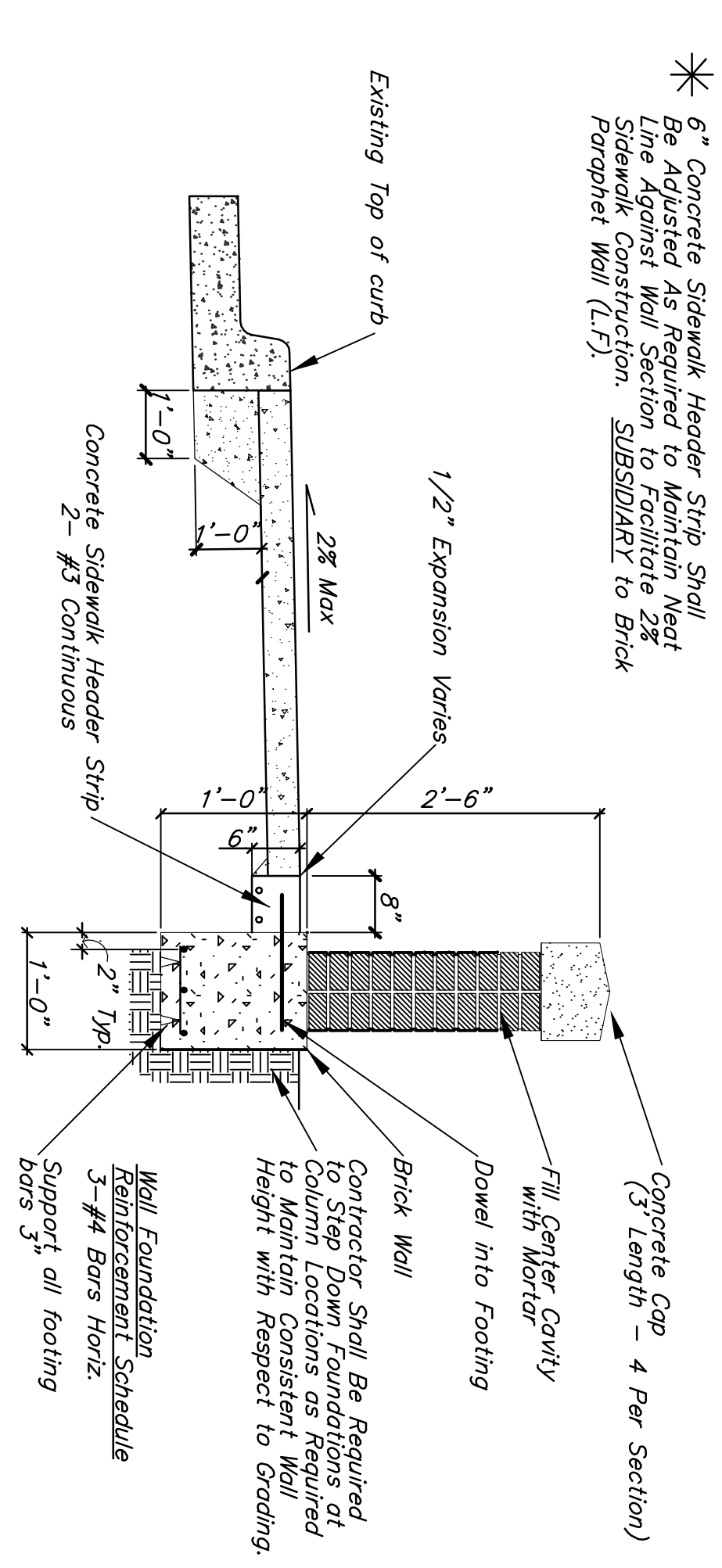
SEATING CAP PLAN
NO SCALE



SEAT BLOCK PLAN
NO SCALE



SEAT SECTION
NO SCALE



SCREEN WALL SECTION
NO SCALE

Drawing File: E:\Engineering\Bank Area\Parking Lots\Details\Brick and Concrete Wall Detail.dwg
 Date: TCA
 Drawn: JIB
 Checked: JIB
 Scale: NONE

Project No: 0603E273
 CITY OF WICHITA
 BRICK AND CONCRETE
 WALL DETAIL
 EMPORIA PARKING LOT

Baughman Company, P.A.
 315 Bill St. Wichita, KS 67211 P: 316.262.2721 F: 316.562.0149
 ENGINEERING | SURVEYING | PLANNING | LANDSCAPE ARCHITECTURE

DATE: July, 2009
 SHEET: 21
 OF: 31