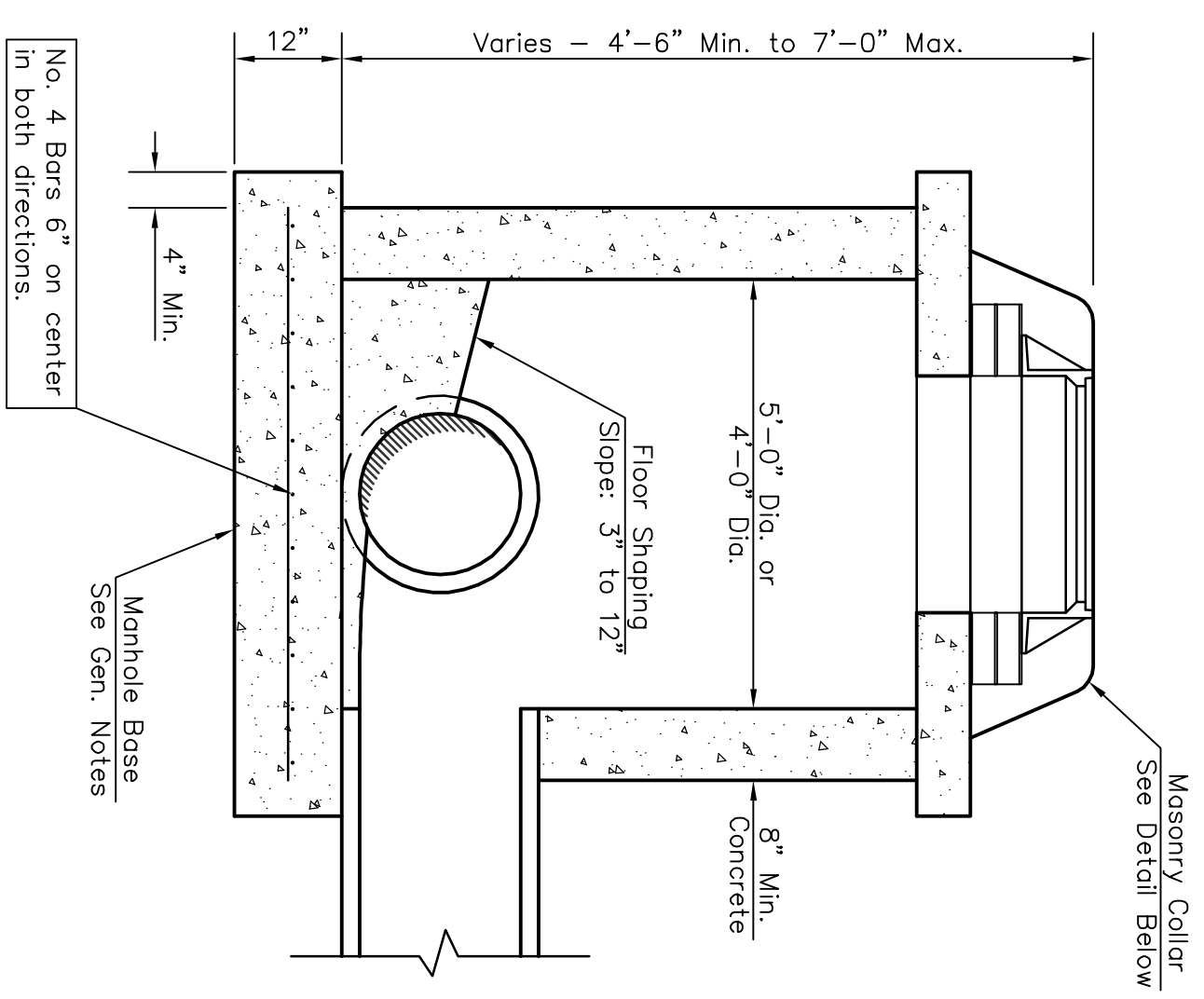
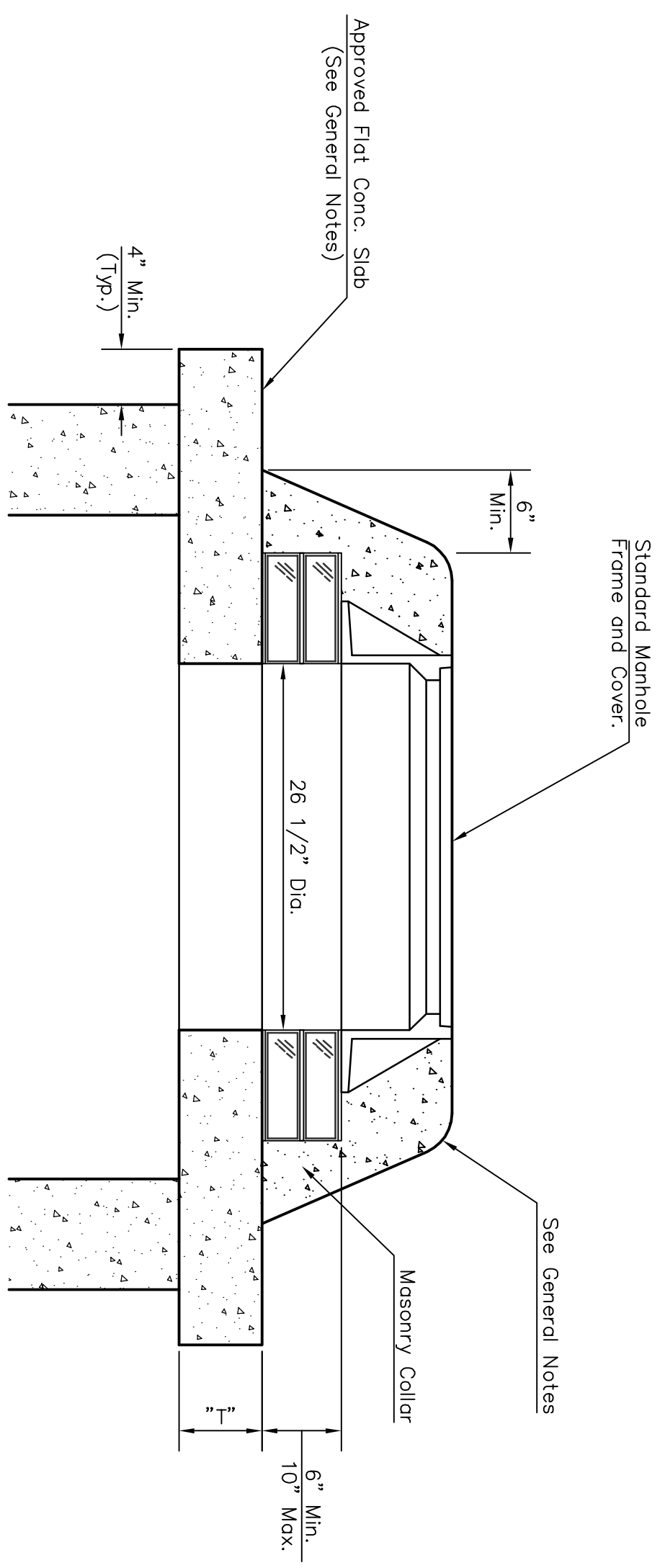


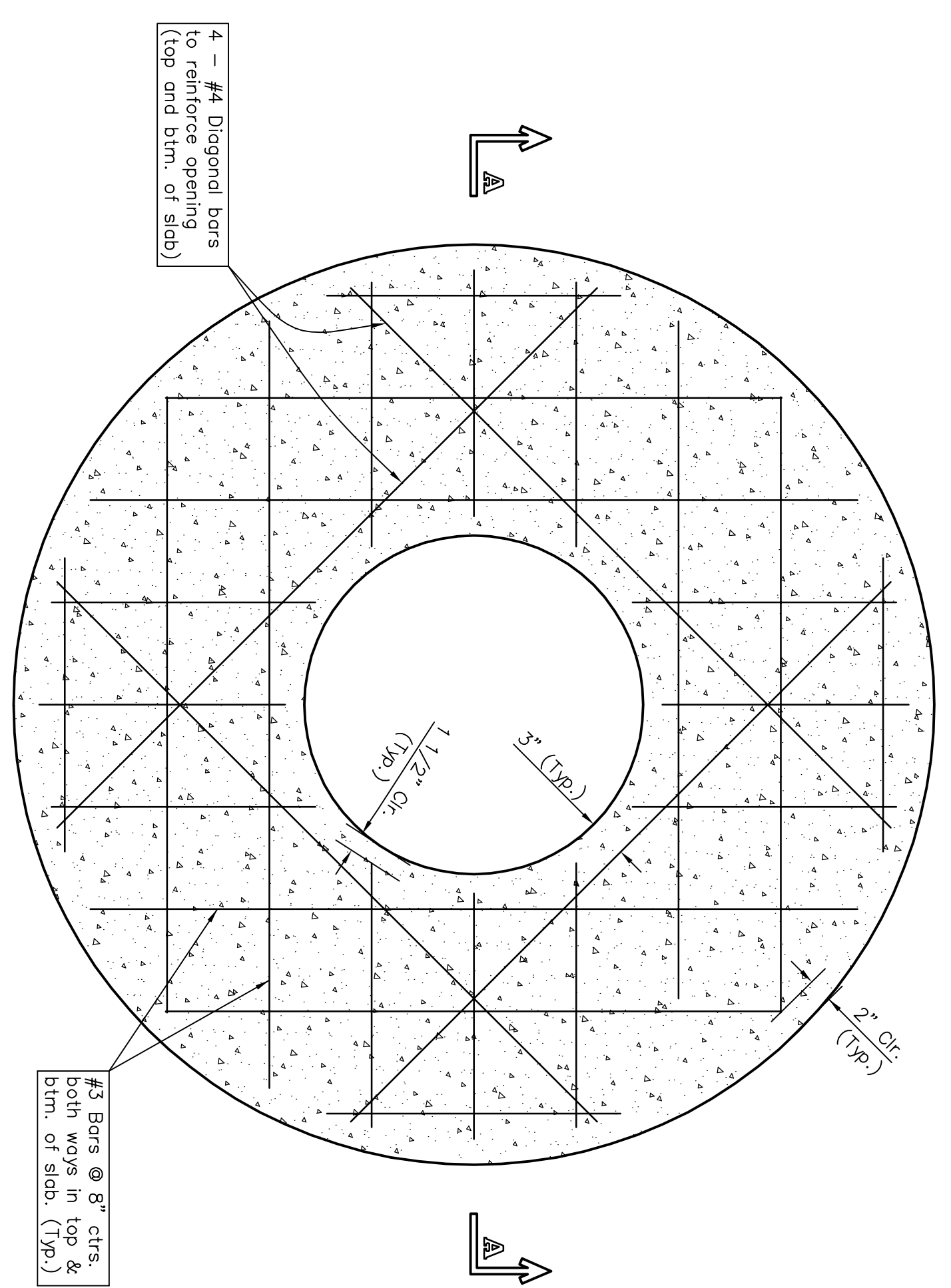
SHALLOW TYPE "P" MANHOLE



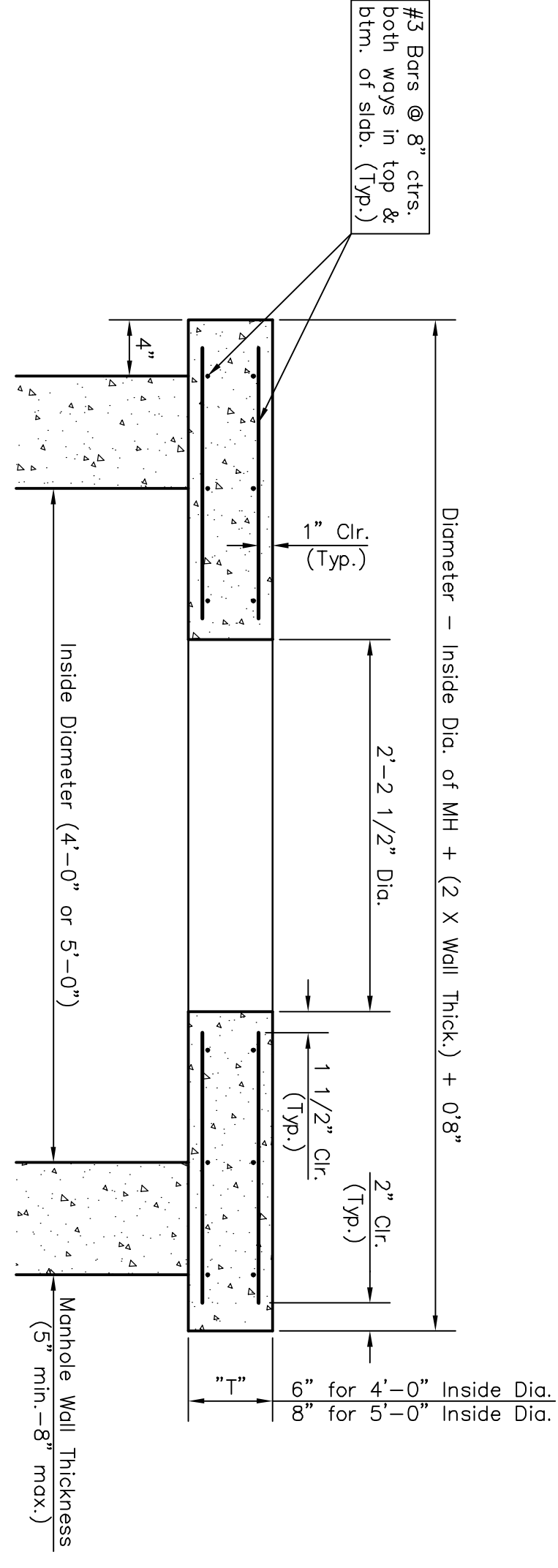
SHALLOW TYPE "C" MANHOLE



MASONRY COLLAR DETAIL



PLAN



SECTION A-A

FLAT CONCRETE SLAB DETAILS

GENERAL NOTES

Drawing File: F:\ENCS\Struct\Bnk Arena Parking Lot\Details\SHW.MXD  
 Date: 07/27/2009  
 City of Wichita  
 Project No: 0901235  
 City of Wichita  
 STANDARD DETAILS for SHALLOW  
 TYPE "P" & TYPE "C" MANHOLES  
 ARENA PARKING LOT

**Baughman Company, P.A.**  
 ENGINEERS AND ARCHITECTS  
 315 Bill St. Wichita, KS 67211 P: 316.262.2771 F: 316.262.0149