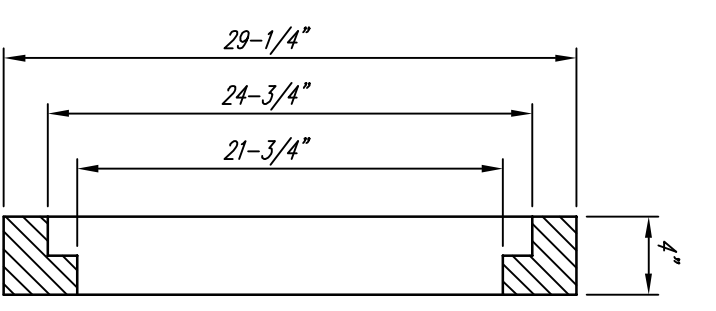
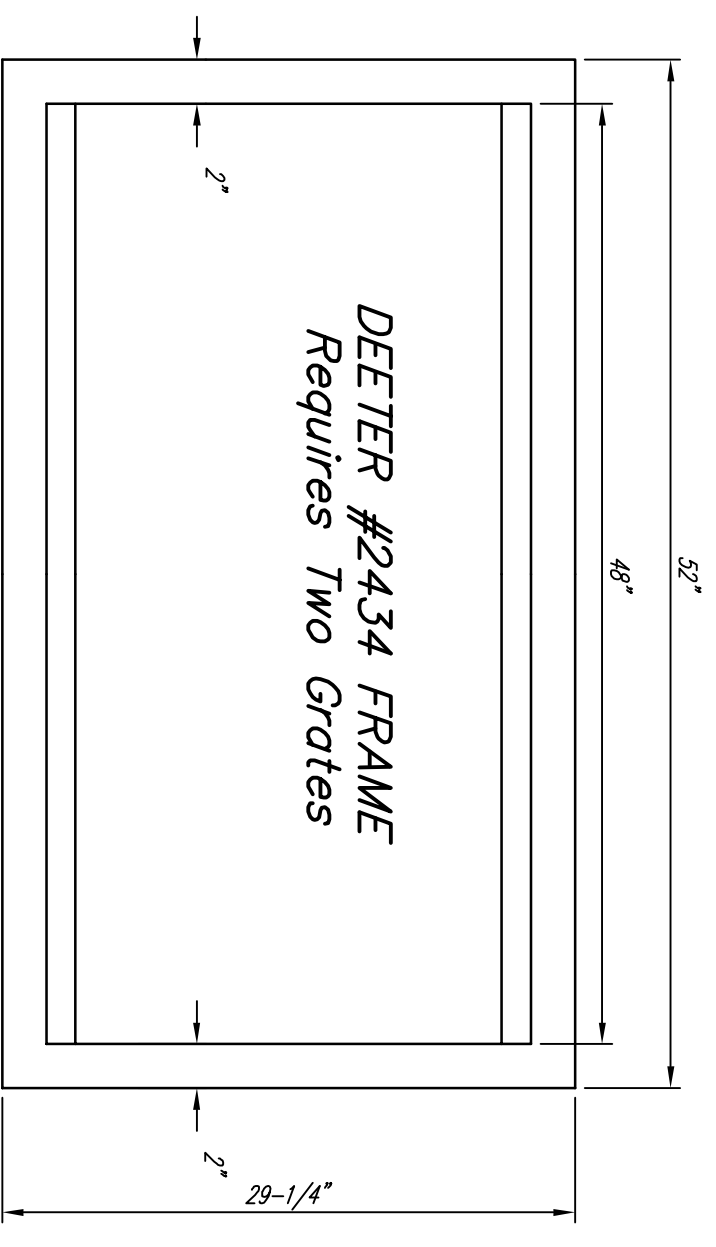


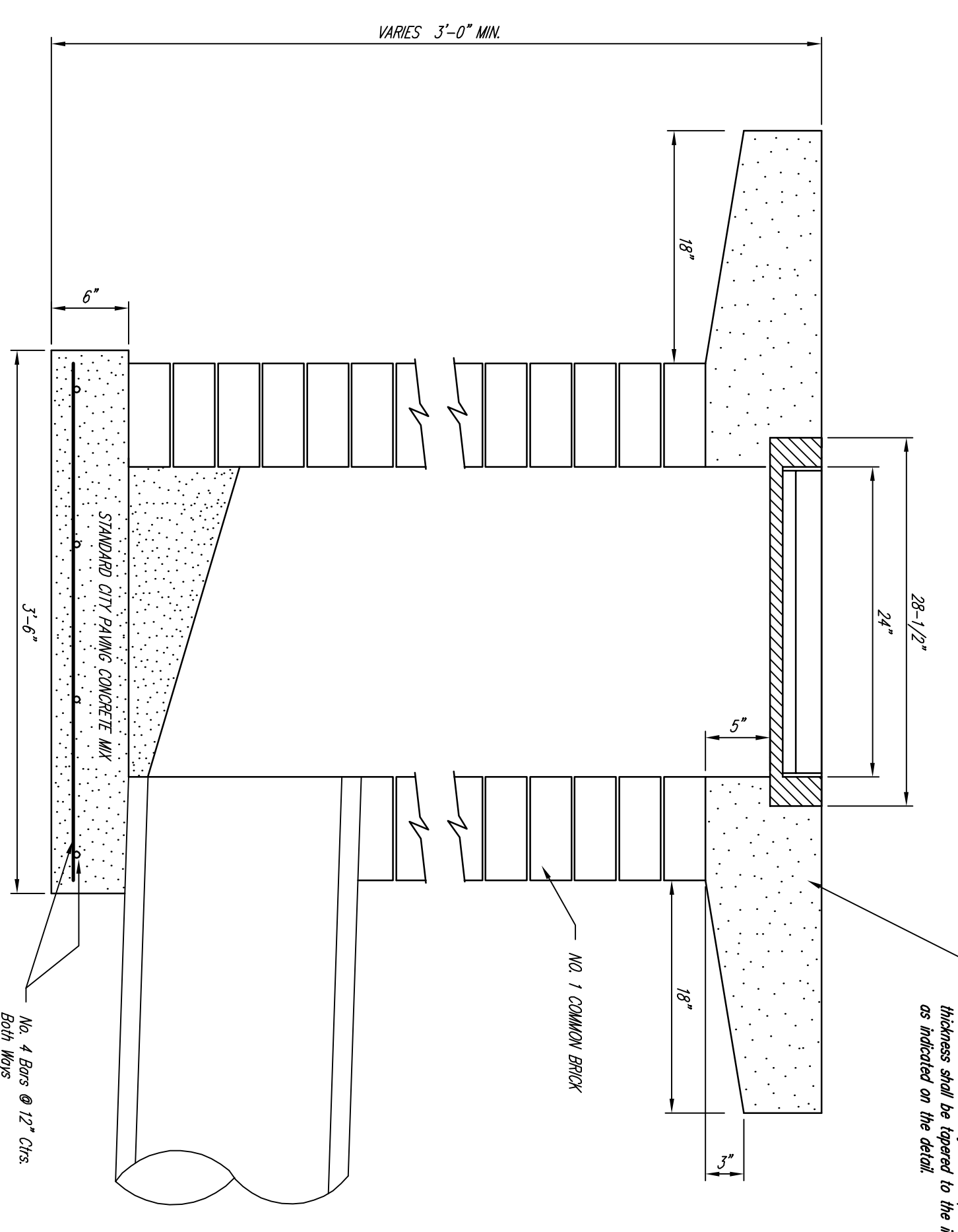
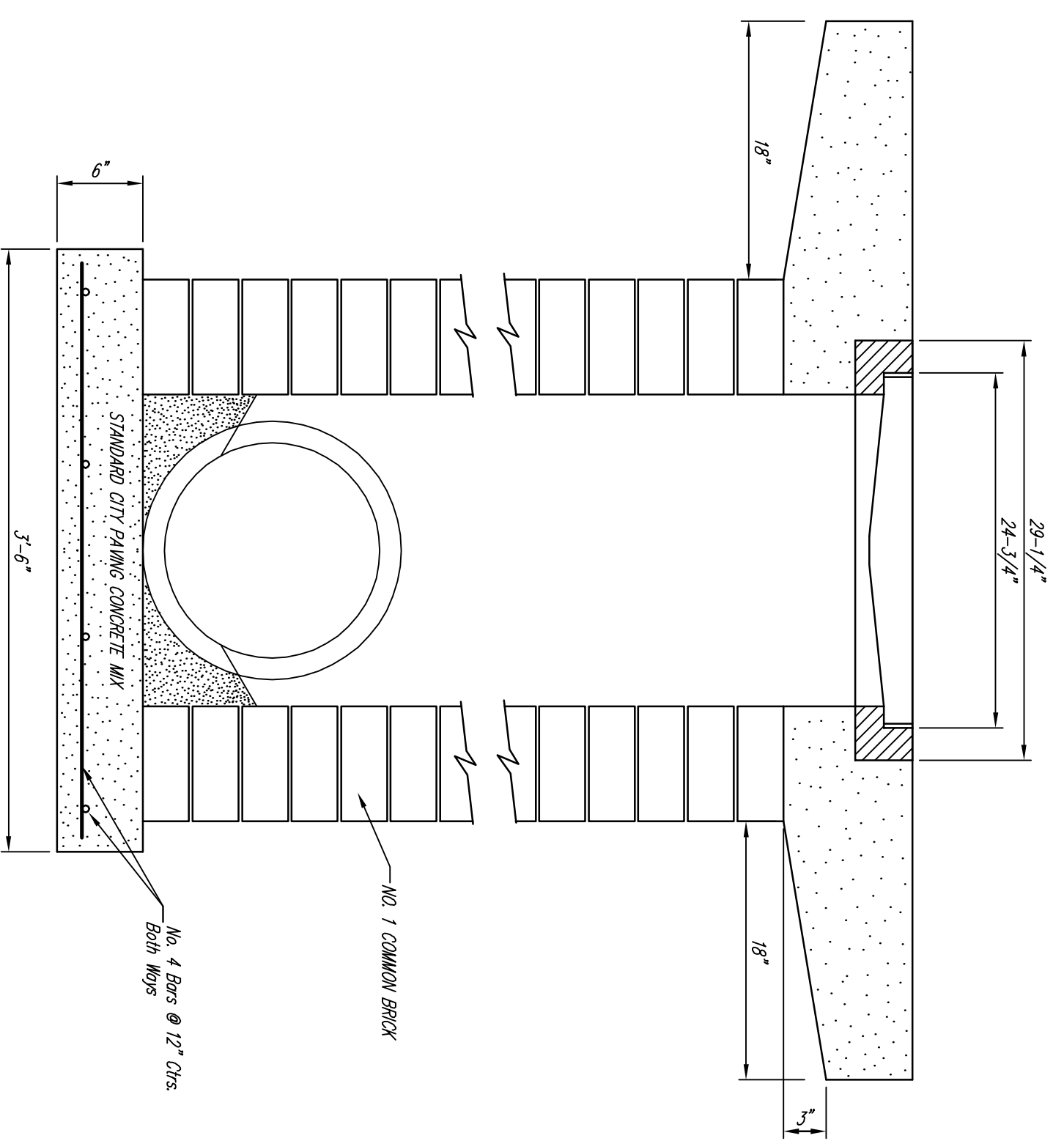
DEETER #2433 GRATE

24" x 24" Frame and Grate Detail

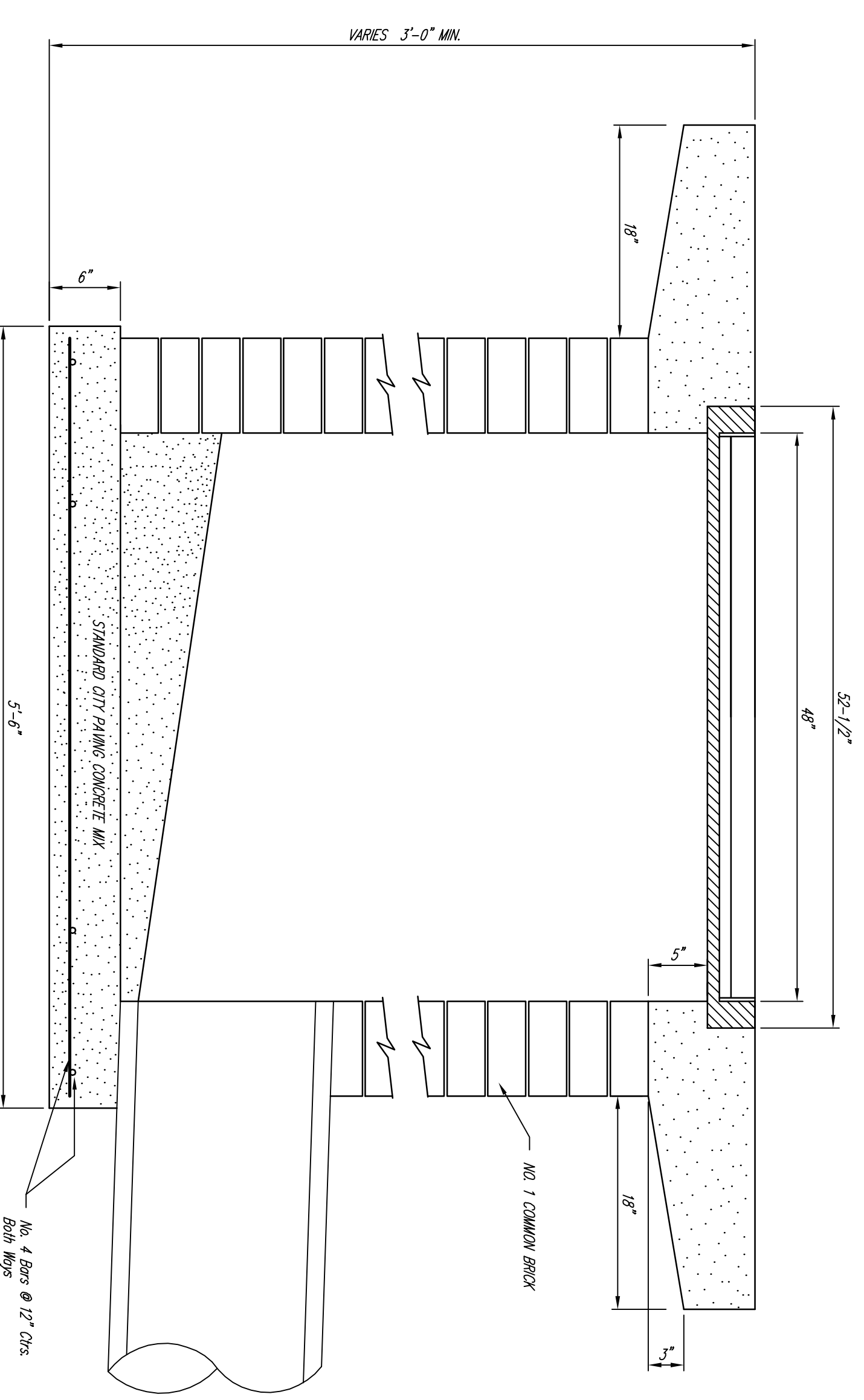
NOTE: Grates shall be imprinted on the top surface with "CITY OF WICHITA" using letters of least 1" in height. Other marking methods may be approved by the engineer.



Double 24" x 24" Frame Detail



Note: Concrete grate shall be constructed around the inlet when inlet is located in an unopened area. Where the inlet is adjacent to pavement, the pavement thickness shall be tapered to the inlet in 18 inches as indicated on the detail.



Design: E. Cheng
 Drawn: ENGINEER
 Check: STAFF
 Approved: ENGINEER
 Scale: NONE

Project No. 0903 E273
 CITY OF WICHITA
 DROP INLET DETAIL
 ARENA PARKING LOTS

Baughman Company, P.A.
 515 Ellis St. Wichita, KS 67211 P 316-262-7271 F 316-262-0149
 ENGINEERING | SURVEYING | PLANNING | LANDSCAPE ARCHITECTURE