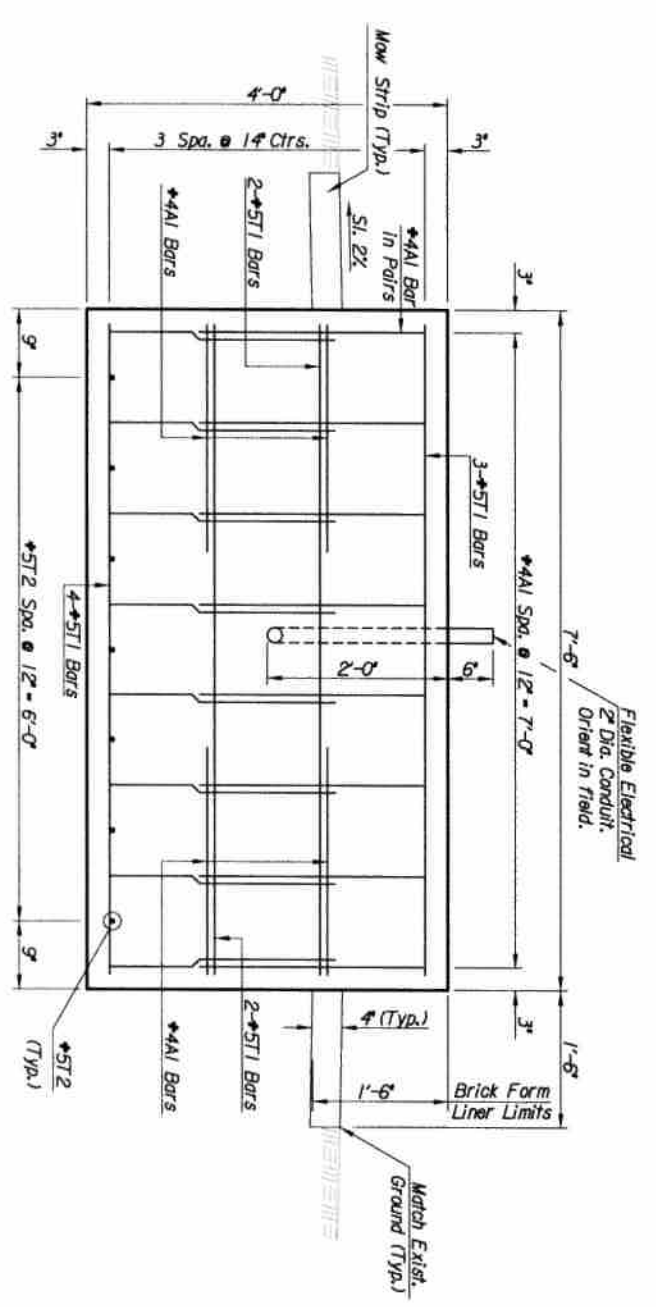
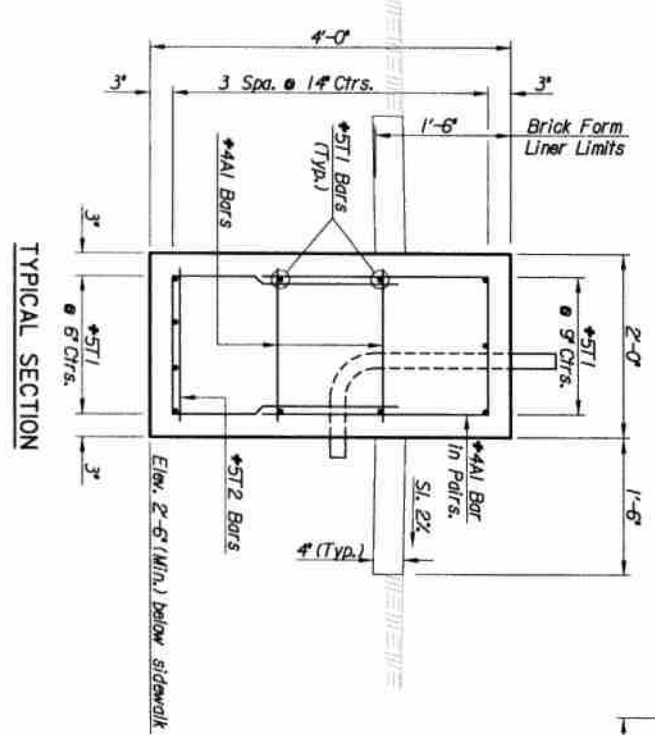


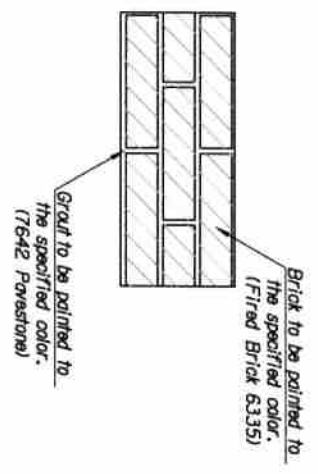
PLAN  
(Top View Shown)



ELEVATION



TYPICAL SECTION



- GENERAL NOTES**
1. Use 3000 p.s.i. 28 day compressive strength concrete throughout. All exposed edges shall be finished with an edging tool. All reinforcing shall conform to ASTM A615, Grade 60.
  2. All reinforcing to have 2" edge and end clearance unless noted.
  3. Use 3"x10" Rough Wire Brick Running Bond form liner (Pattern #1317) from "Spec Formliners, Inc." or approved equal.
  4. Paint Grout area with "Sherwin Williams Ultracrete Solvent-borne Coatings: Fine Textured", color 7642 Pavestone, or approved equal.
  5. Paint Brick area with "Sherwin Williams Ultracrete Solvent-borne Coatings: Fine Textured", color 6335 Fired Brick, or approved equal.
  6. Painted concrete shall have the appearance of brick and mortar.
  7. Prepare surface as required by paint recommendations.

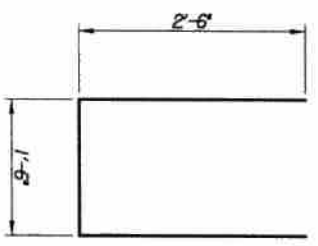
**\* BILL OF MATERIALS**

Item	Quantity	Unit
Reinforcing Steel (Grade 60)	182	Lbs.
Concrete (Grade 3,0)	2.3	C.Y.
Flexible Elec. Conduit	5.0	L.F.
Sidewalk (4")	37.5	S.F.
Painting	29	S.F.

\* For information only.

**REINFORCING STEEL**

Mark	Size	Number	Length	Mark	Size	Number	Length
T1	#5	11	7'-2"	A1	#4	20	6'-6"
T2	#5	7	1'-8"				



**Professional Engineering Consultants, P.A.**  
 CITY OF WICHITA  
**INTRUST BANK ARENA**  
**PARKING DMS FOUNDATION (LOT C)**  
 JAMES L. ARNDT, P.E., CDT, ENGINEER  
 CITY OF WICHITA PROJECT NO.  
 092713  
 303 S. TORREY, WICHITA, KANSAS 67202  
 316-262-2661 • FAX 316-262-3003  
 Date: 7/8/2009