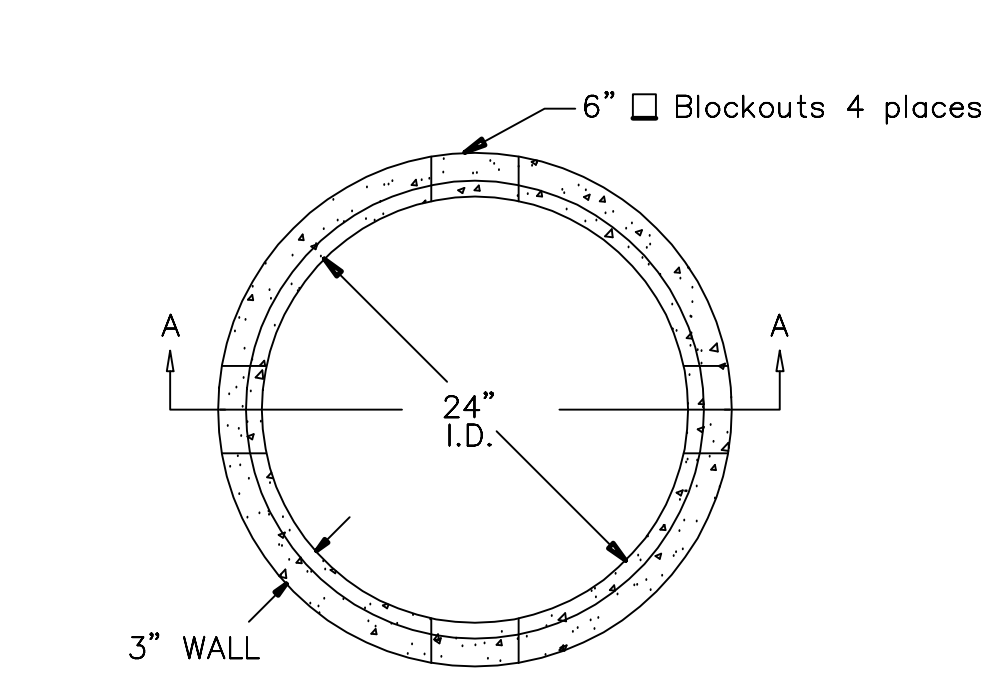
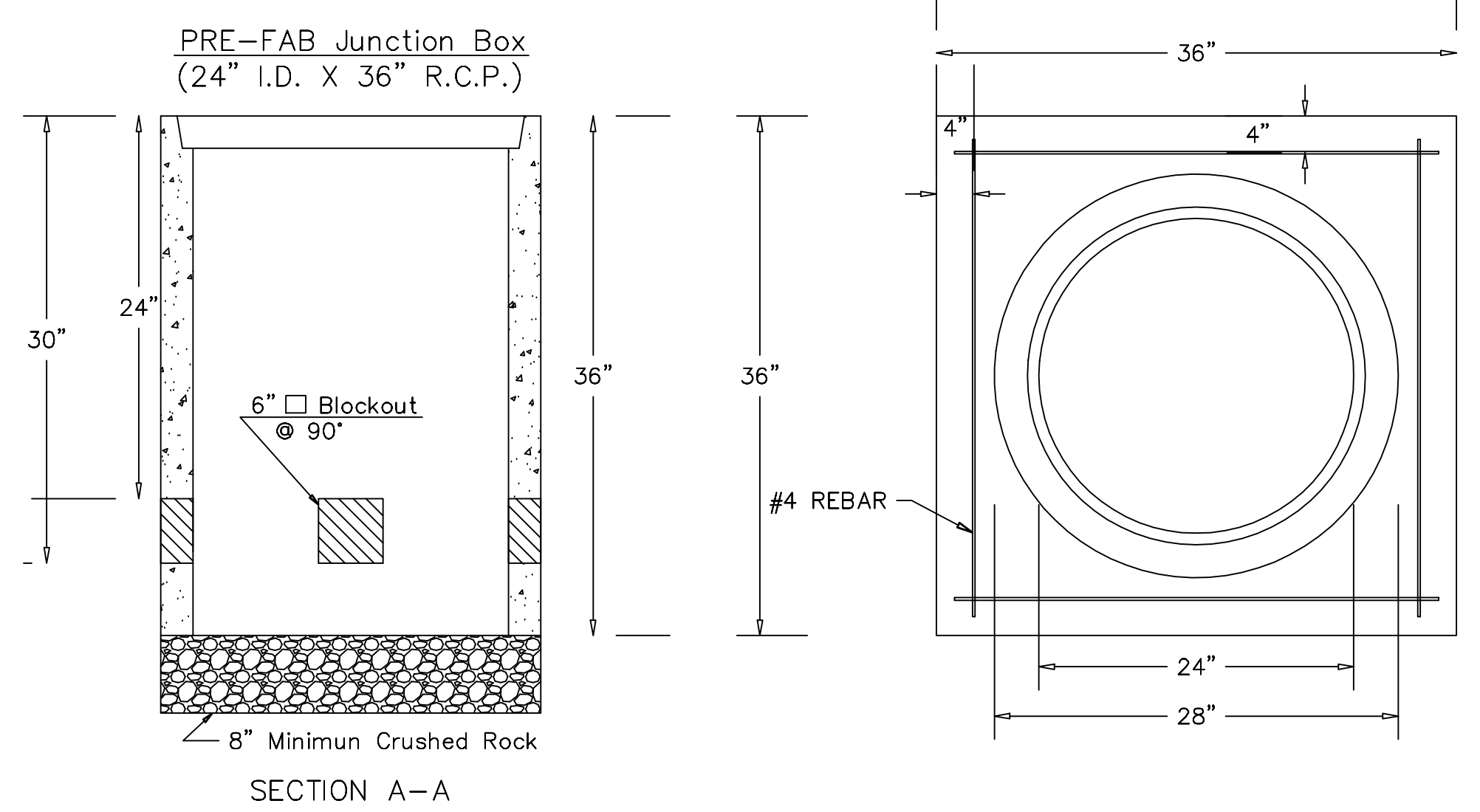
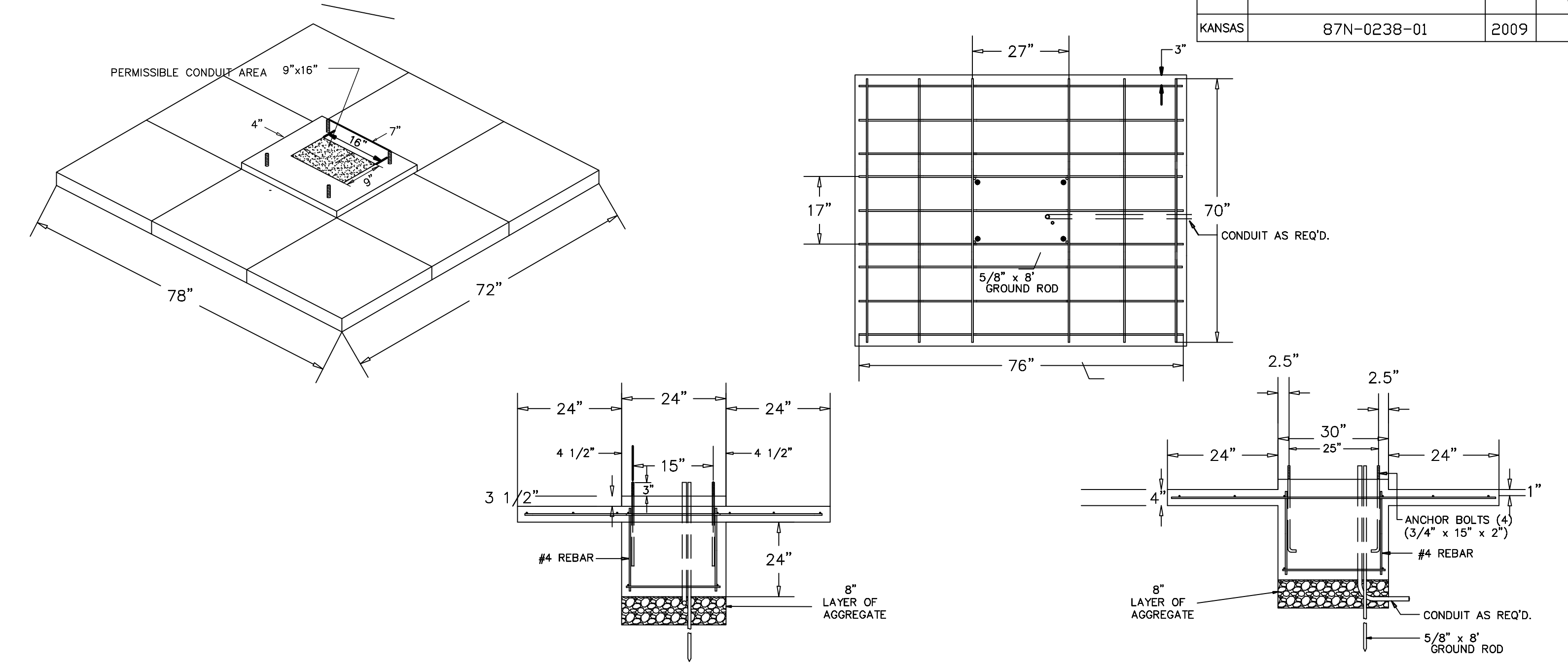
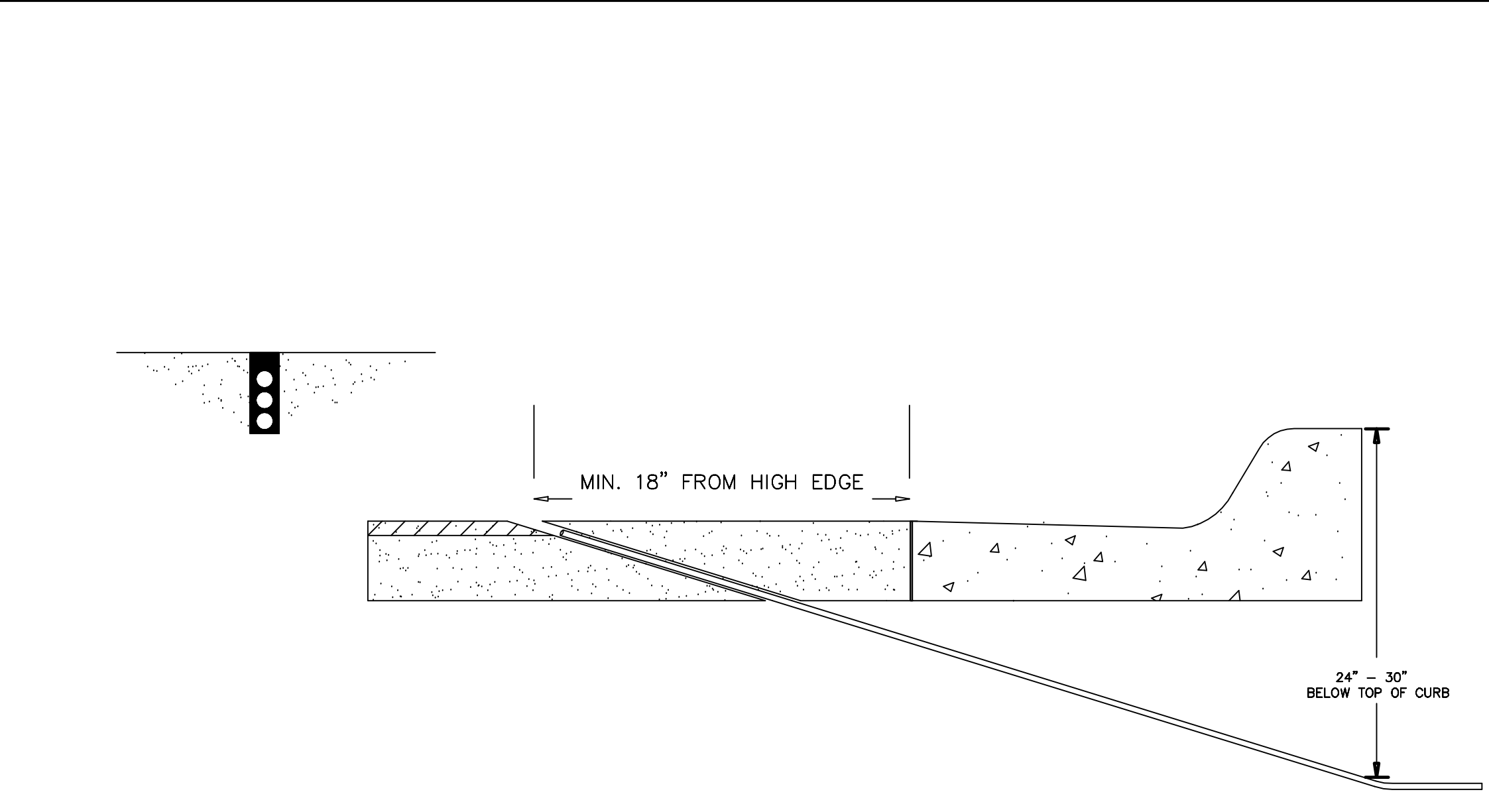
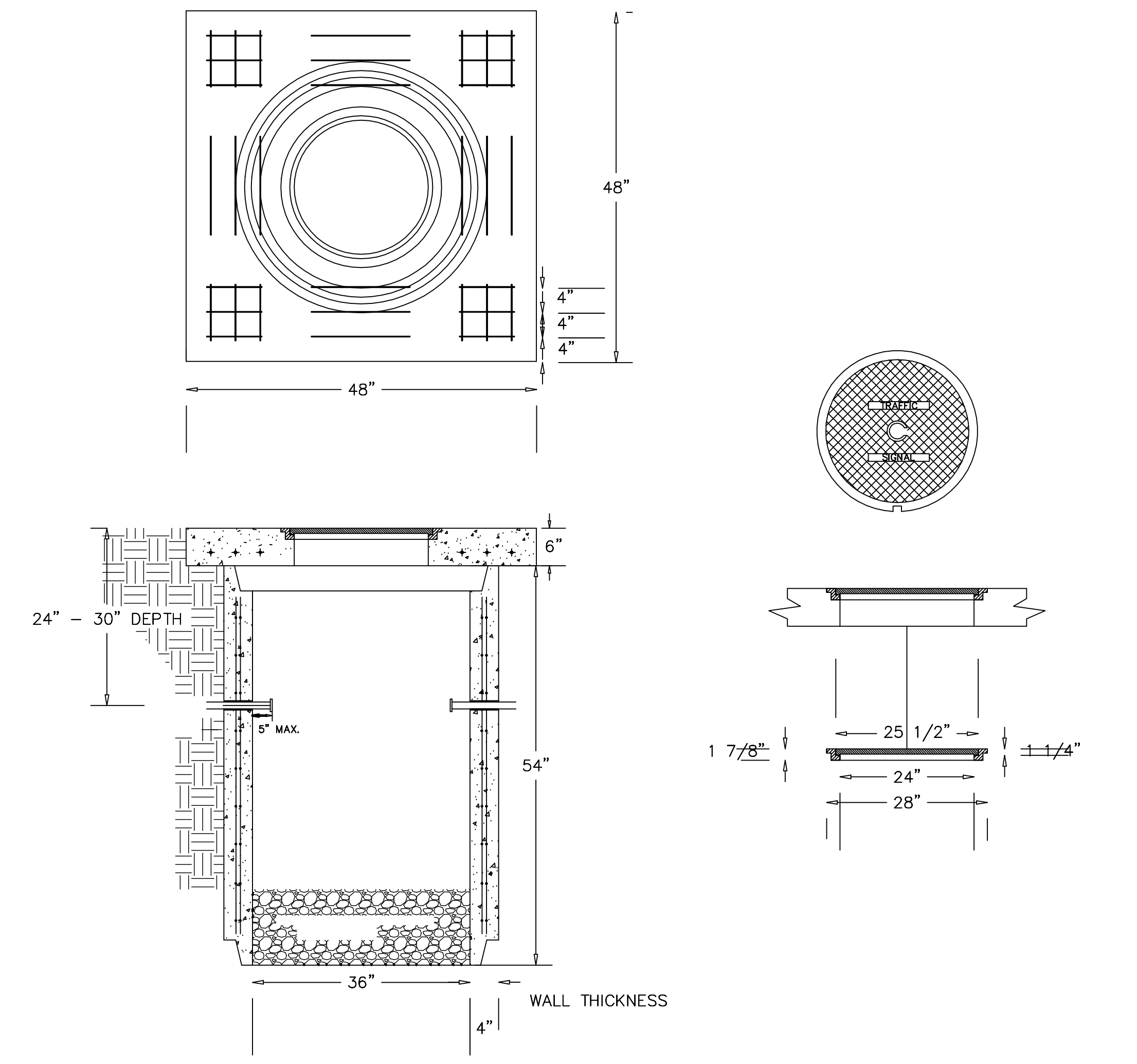


STATE	PROJECT NO.	YEAR	SHEET NO.	TOTAL SHEETS
KANSAS	87N-0238-01	2009	34	59

DATE	
BY	
REFERENCES NOTED	
REFERENCES CHECKED	



** SEE SERVICE BOX INSTALLATION FOR RING & COVER DETAILS.

- NOTES:**
- SERVICE & JUNCTION BOX:**
- CONDUIT CONNECTION TO BE FLUSH TO WITHIN 5" OF INSIDE FACE OF SIDE WALL, CONDUIT TO DRAIN INTO SERVICE BOX.
 - CONDUIT CONNECTIONS TO SERVICE BOX SHALL BE TERMINATED WITH PLASTIC CABLE BUSHING.
 - CONDUIT SHALL BE SEALED WITH APPROVED SEALER AT INSIDE WALL FACE.
 - ALL SERVICE & JUNCTION BOXES TO HAVE 8" OF CRUSHED ROCK.
- TRENCHING:**
- DEPTH TO BE 30" MINIMUM WITH ROCK & STUBBLE FREE BACKFILL TO SERVE AS BEDDING MATERIAL. MAINTAIN MINIMUM CONDUIT DEPTH IN TRENCH.
 - BACKFILL TO BE COMPACTED IN 6" LOOSE LIFTS BY HAND OR MECHANICAL TAMPING TO A 95% STANDARD DENSITY.
- CONDUIT:**
- SLOPE CONDUIT TO DRAIN AS DIRECTED BY THE ENGINEER.
 - 3" RIGID STEEL CONDUIT BTWN. SERVICE BOXES.
2" " " " " BTWN. SERVICE BOX AND POLE.
1 1/4" " " " " BTWN. SERVICE & JUNCTION BOXES.
3/4" " " " " BTWN. JUNCTION BOXES.
3/4" " " " " BTWN. JUNCTION BOX & DETECTOR LOOP SAW CUT

WICHITA ENGINEERING

CITY OF WICHITA DEPARTMENT OF PUBLIC WORKS

TRAFFIC ENGINEERING DIVISION
PAUL D. GUNZELMAN P.E. TRAFFIC ENGINEER

SCALE
NO SCALE

PROJECT DESCRIPTION
SERVICE/JUNCTION BOX, CONTROLLER PAD CONSTRUCTION/INSTALLATION DETAILS

PROJECT NUMBER

DRAWN BY: T.M. APPROVED BY: A.S.
DATE: Apr. 96 DATE: Jan. 2006