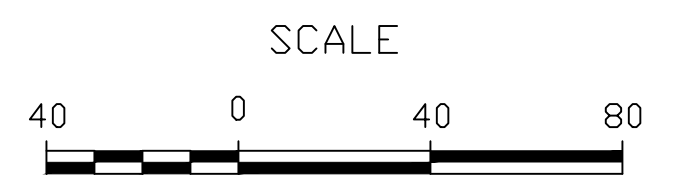
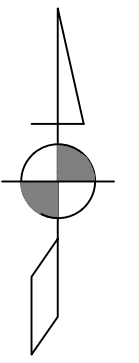
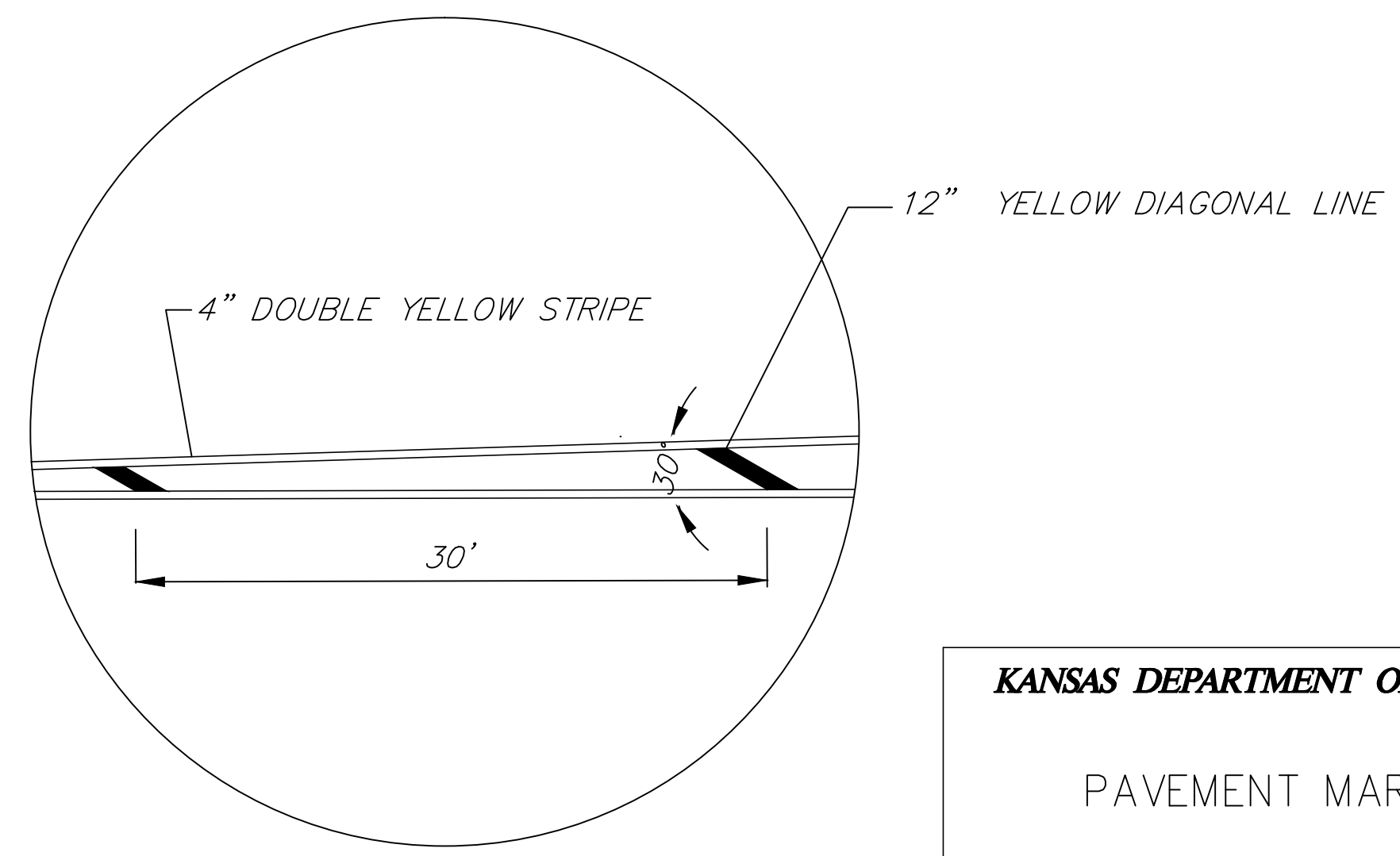
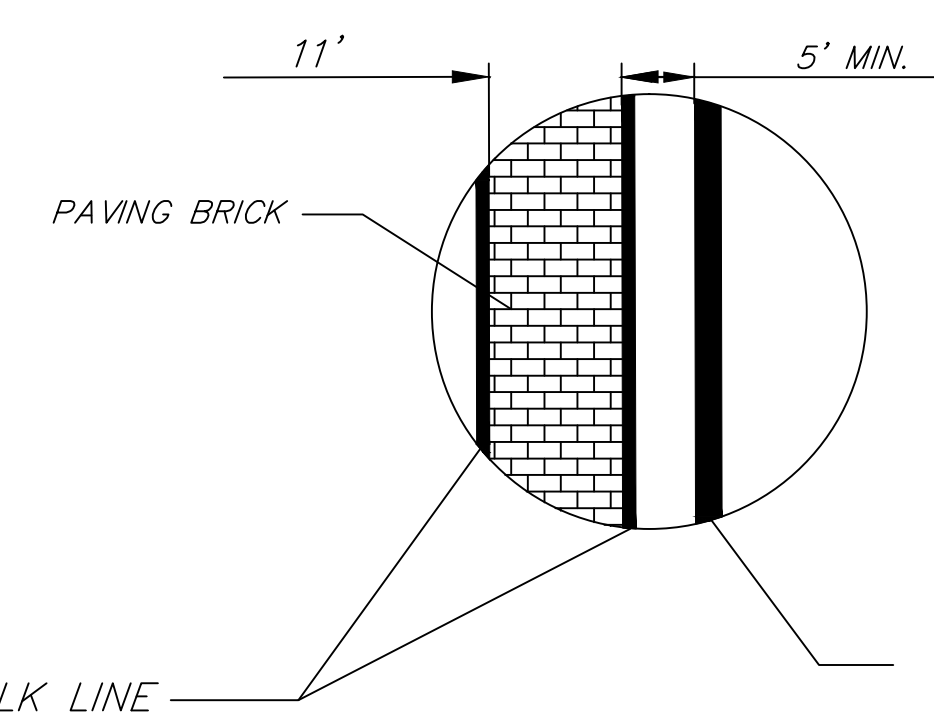
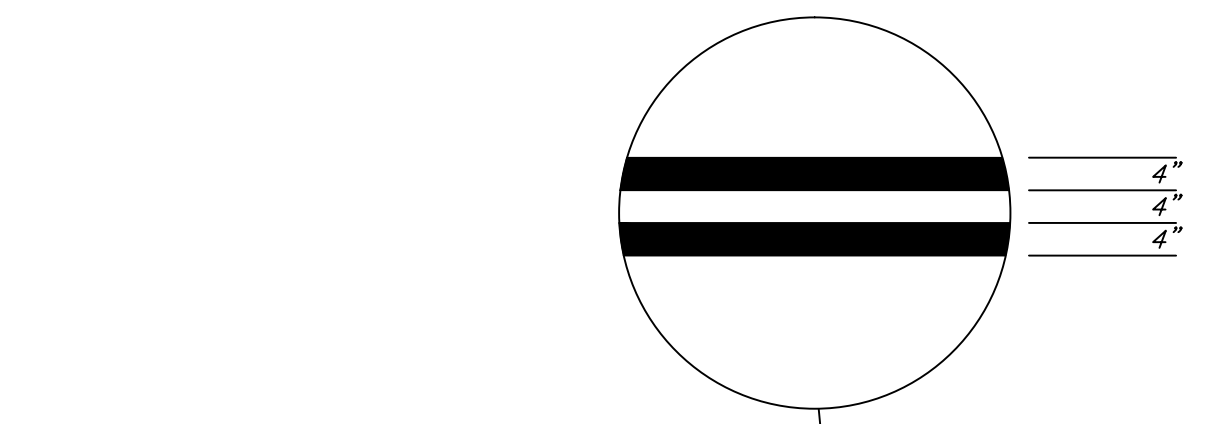
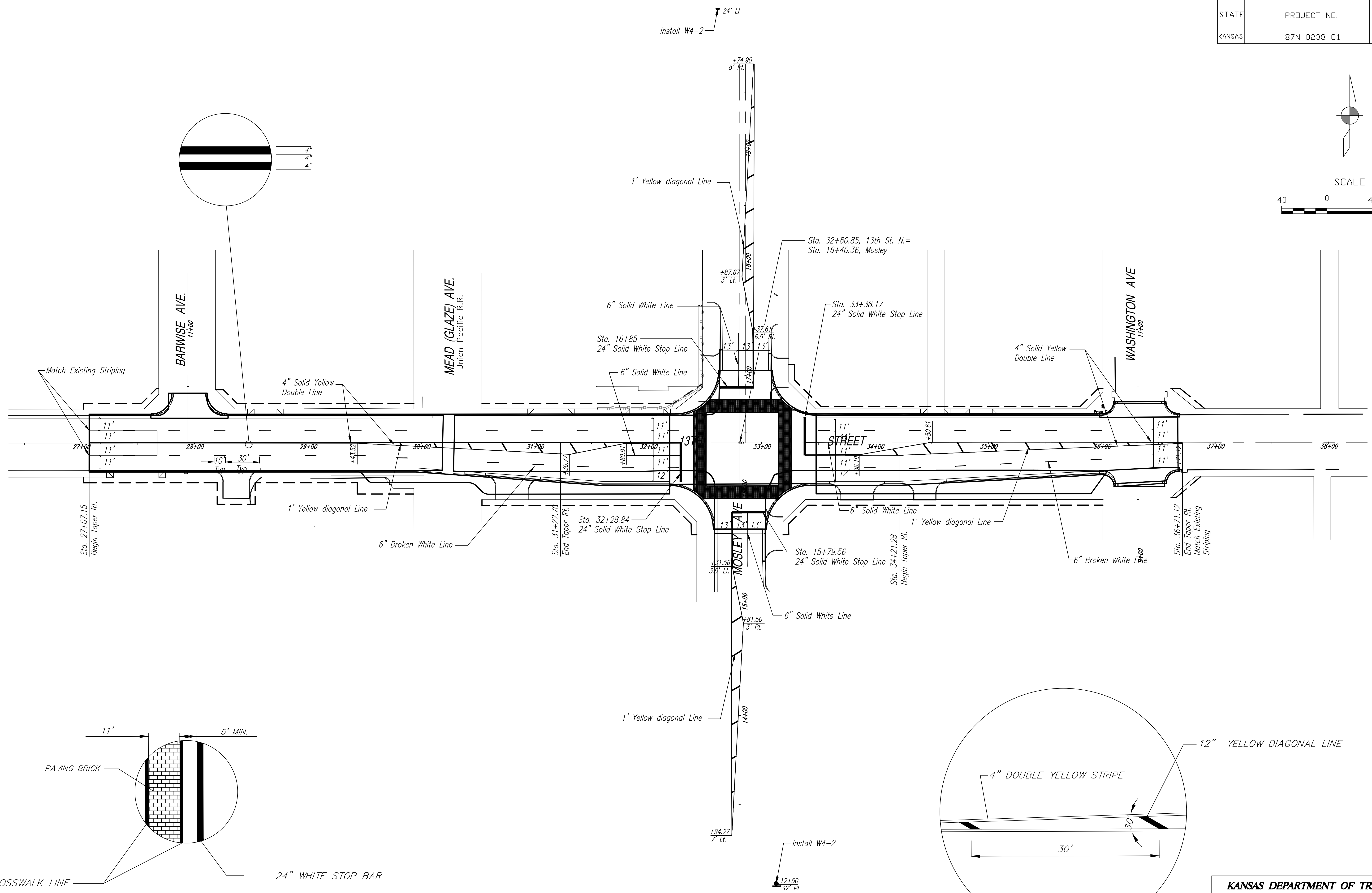


STATE	PROJECT NO.	YEAR	SHEET NO.	TOTAL SHEETS
KANSAS	87N-0238-01	2009	37	59



DATE	
BY	
REFERENCES NOTED	
REFERENCES CHECKED	



12" CROSSWALK LINE 24" WHITE STOP BAR

KANSAS DEPARTMENT OF TRANSPORTATION
PAVEMENT MARKING PLAN