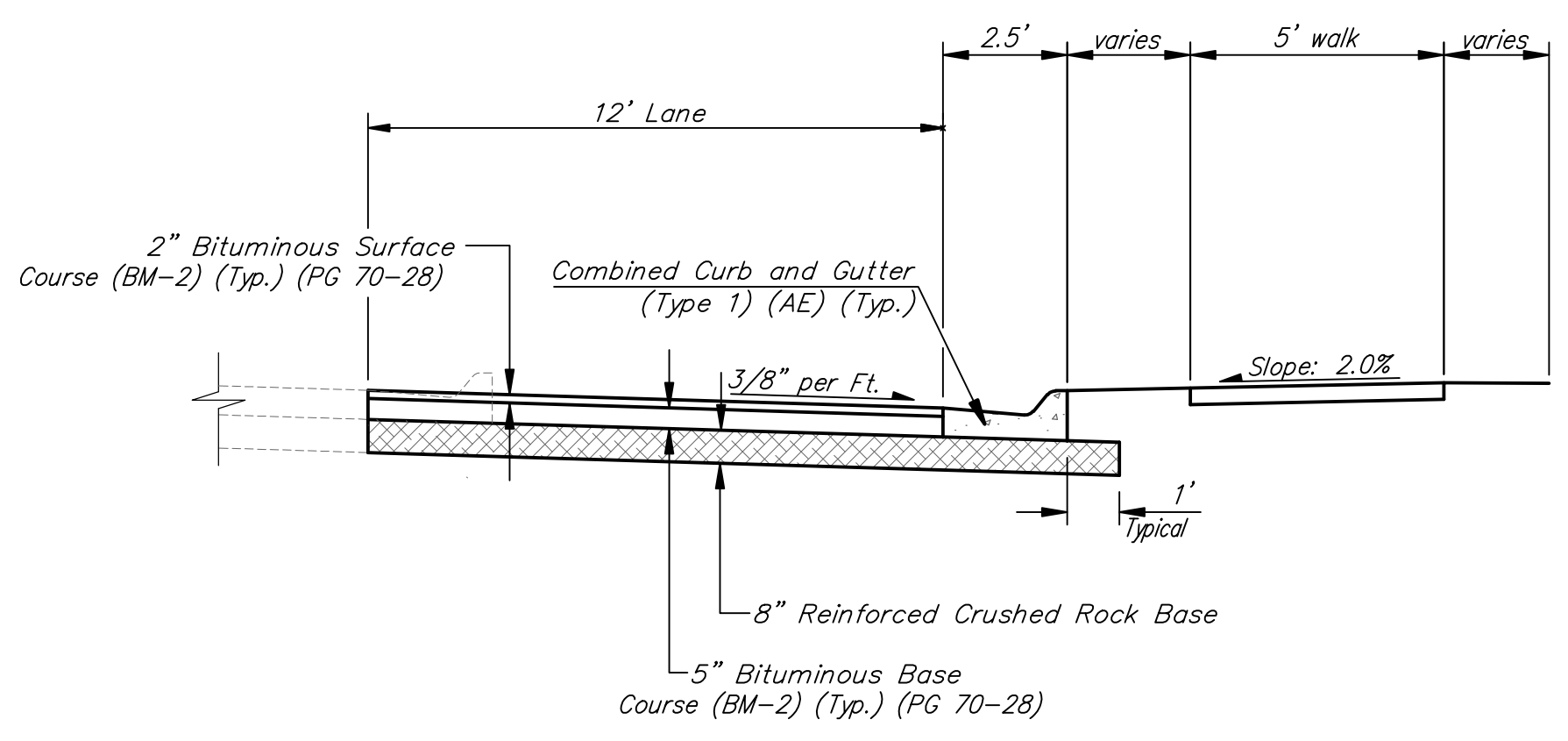


COMBINED CURB & GUTTER  
(6-5/8")



<b>21ST AND CRANBROOK DECELERATION LANE WICHITA, KANSAS</b>		AML 3473T
<b>Ruggles &amp; Bohm, P.A.</b> Engineering, Surveying, Land Planning		2 10
624 North Main Wichita, Kansas 67203 www.rbag.com	(316) 254-6000 (316) 254-6851 fax E-mail: info@rbag.com	PROJECT NUMBER 472-84831
DRAWING FILE ENGINEERING BASE [02 Decal Lane Plan]	PROJECT NUMBER 472-84831	DATE July 21, 2009