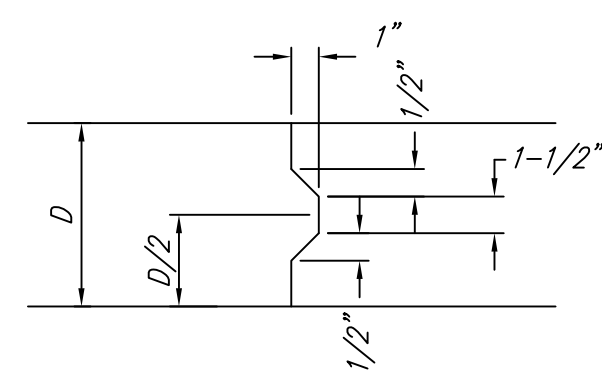
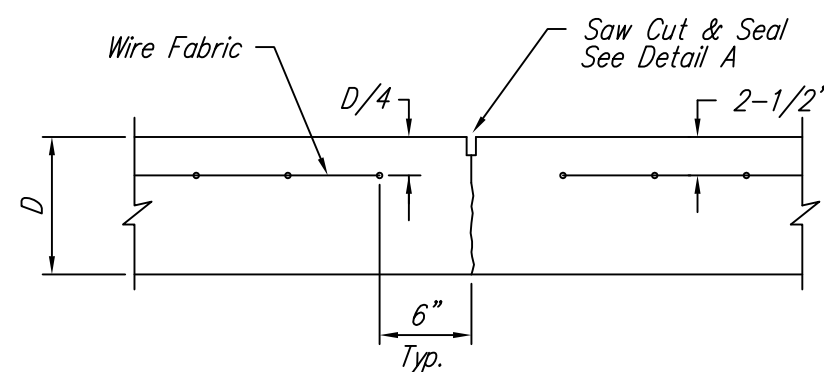


EXPANSION JOINT

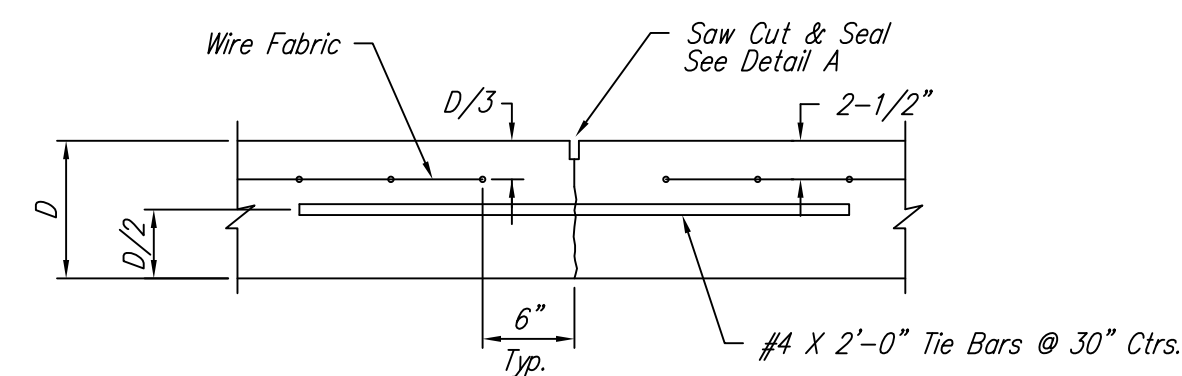
NOTE: Extra Thickness to be Subsidiary to Price of Square Yards Pavement



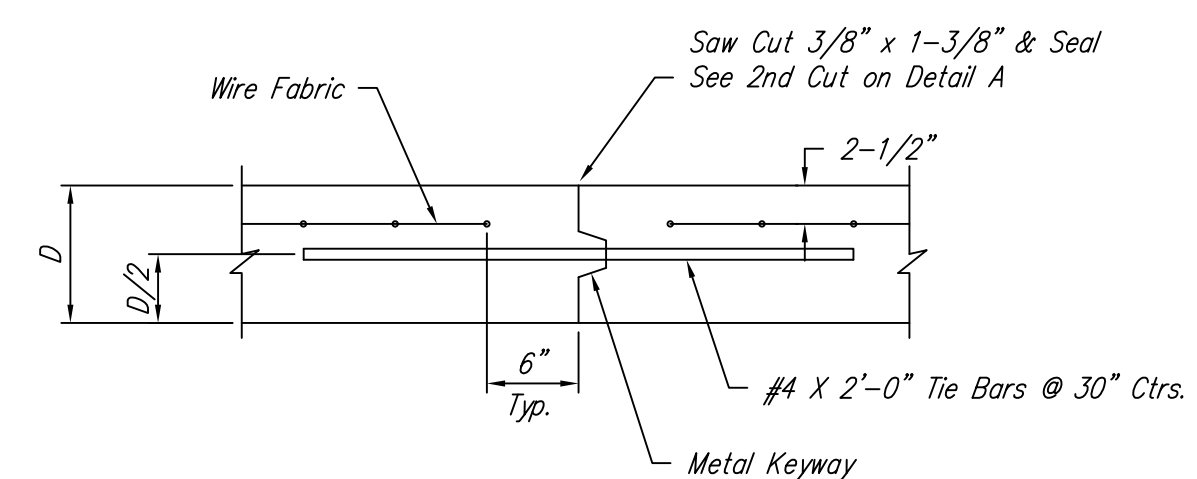
KEYWAY DETAIL



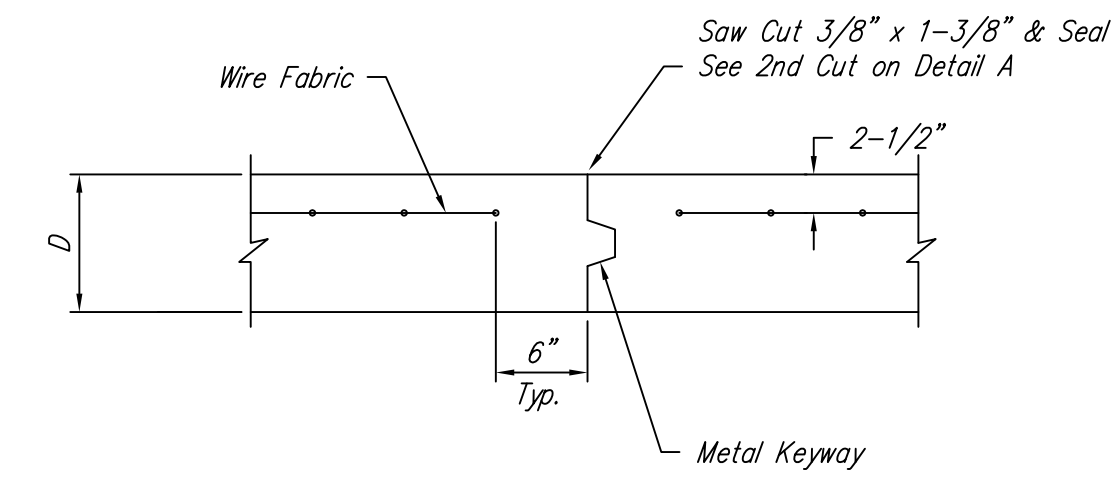
CONTRACTION JOINT DETAIL (C.J.)



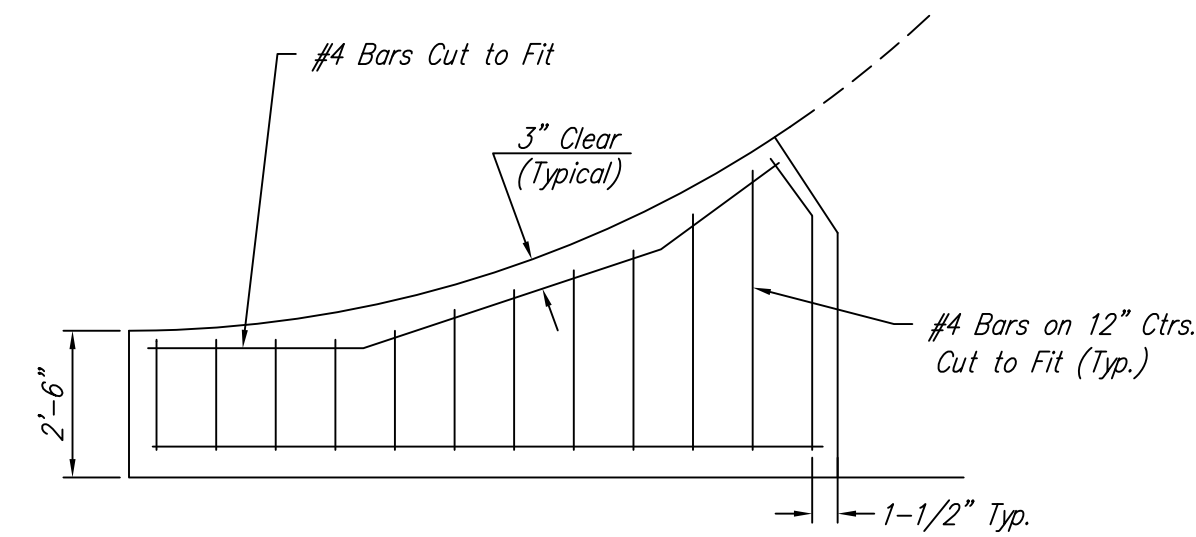
LONGITUDINAL JOINT DETAIL (L.J.)



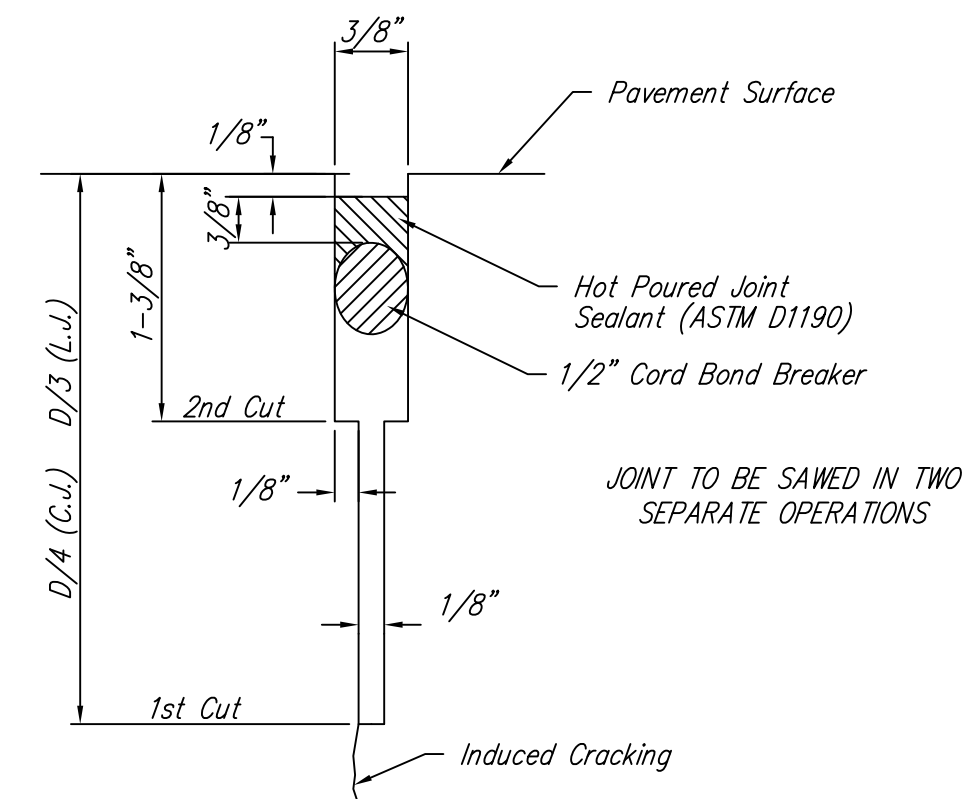
OPTIONAL LONGITUDINAL JOINT DETAIL (L.J.)



OPTIONAL CONTRACTION JOINT

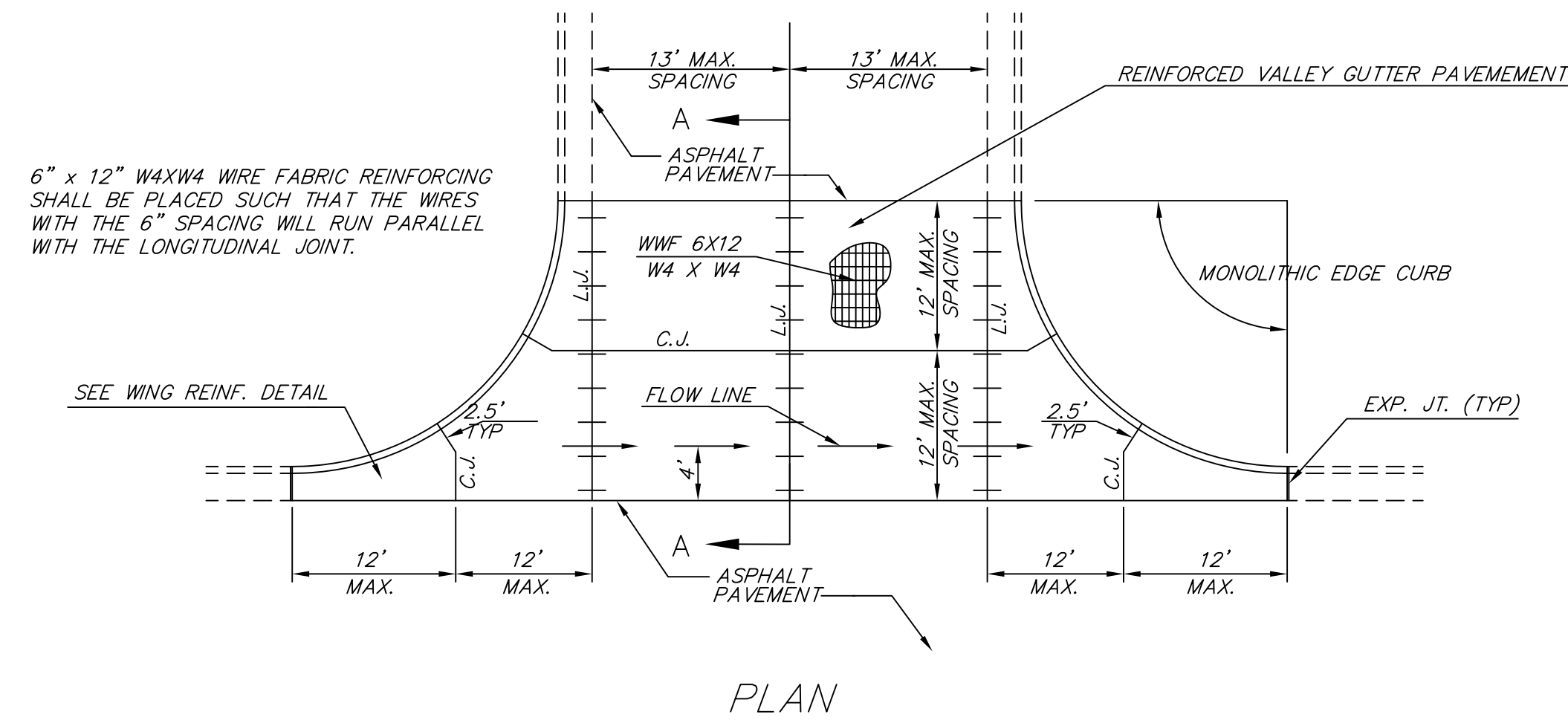


WING REINFORCING DETAIL

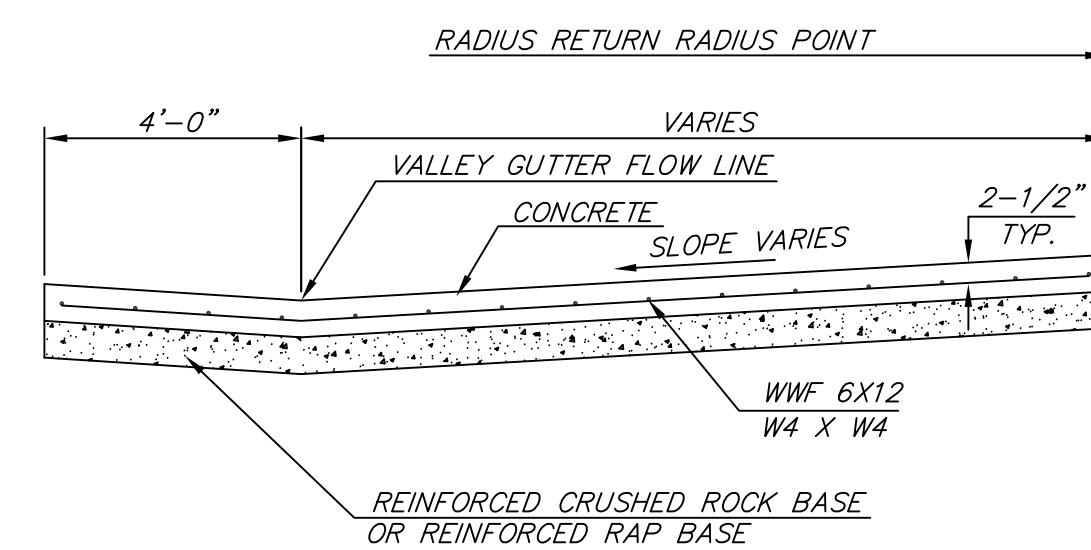


SAW JOINT DETAIL

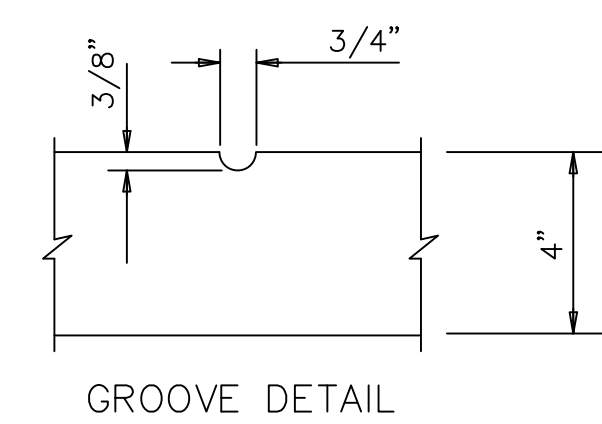
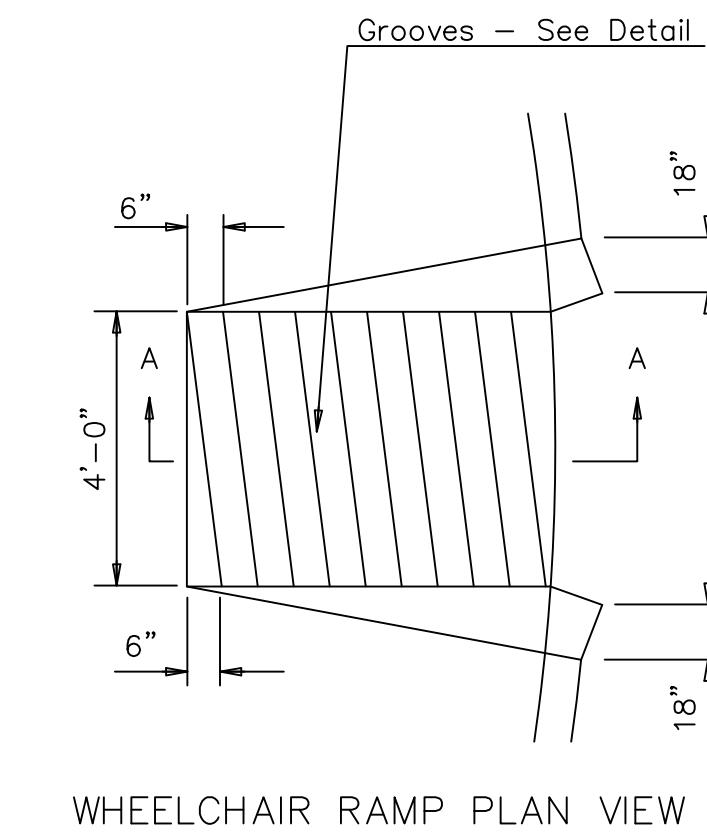
JOINT TO BE SAWED IN TWO SEPARATE OPERATIONS



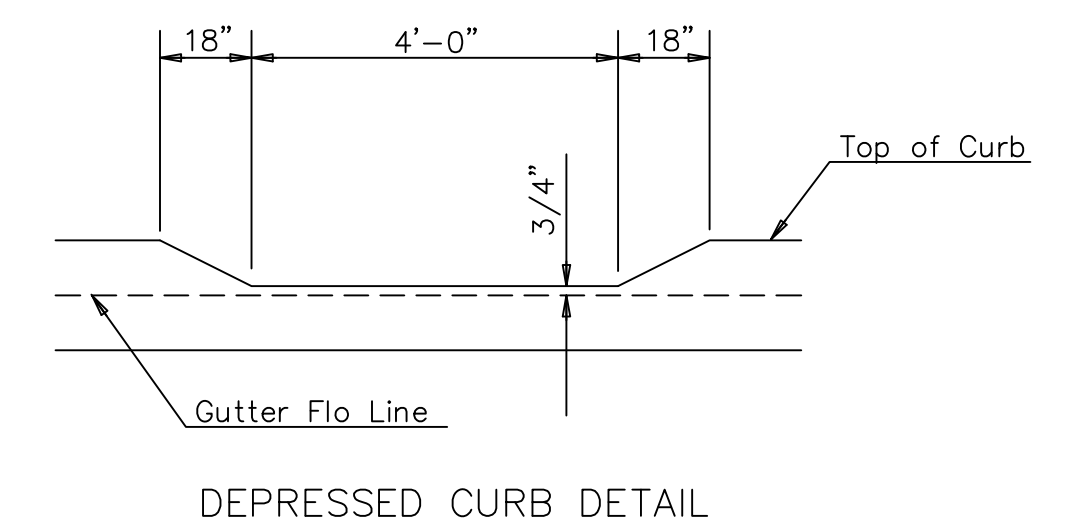
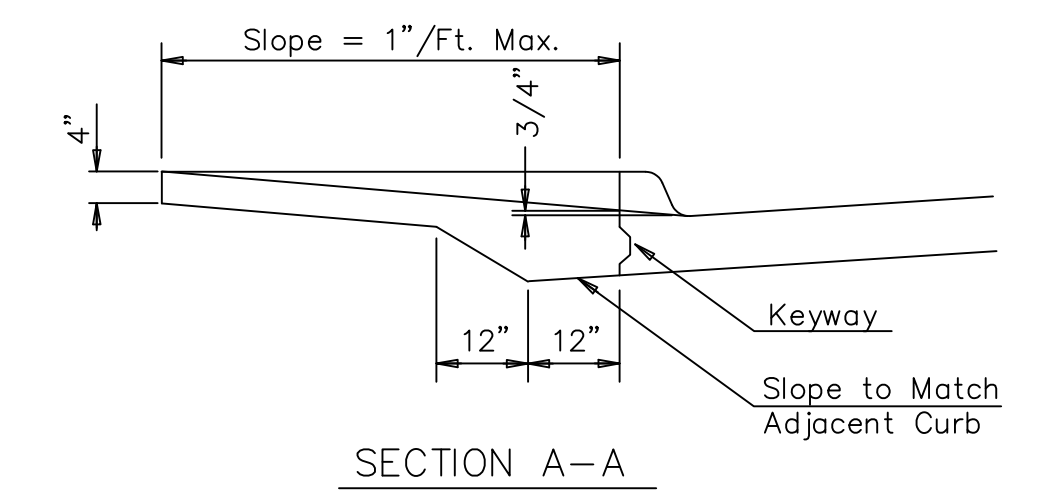
6" x 12" W4XW4 WIRE FABRIC REINFORCING SHALL BE PLACED SUCH THAT THE WIRES WITH THE 6" SPACING WILL RUN PARALLEL WITH THE LONGITUDINAL JOINT.



REINFORCED VALLEY GUTTER DETAIL



WHEELCHAIR RAMP DETAIL



	VALLEY GUTTER DETAILS WHEELCHAIR RAMP DETAILS		
	CITY ENGINEER JAMES L. ARMOUR, P.E., L.S.		
	PROJECT NUMBER 472-84753	OCA NUMBER 766222	DATE 05/07/09
	CITY ENGINEER'S OFFICE CITY HALL - SEVENTH FLOOR 455 NORTH MAIN STREET WICHITA, KANSAS 67202-1620 (316) 268-4501 (316) 268-4114 FAX	DESIGN KM	DRAWN NS
	SHEET 9 OF 24		