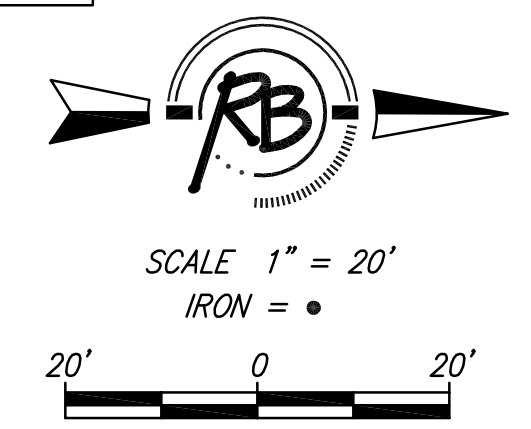


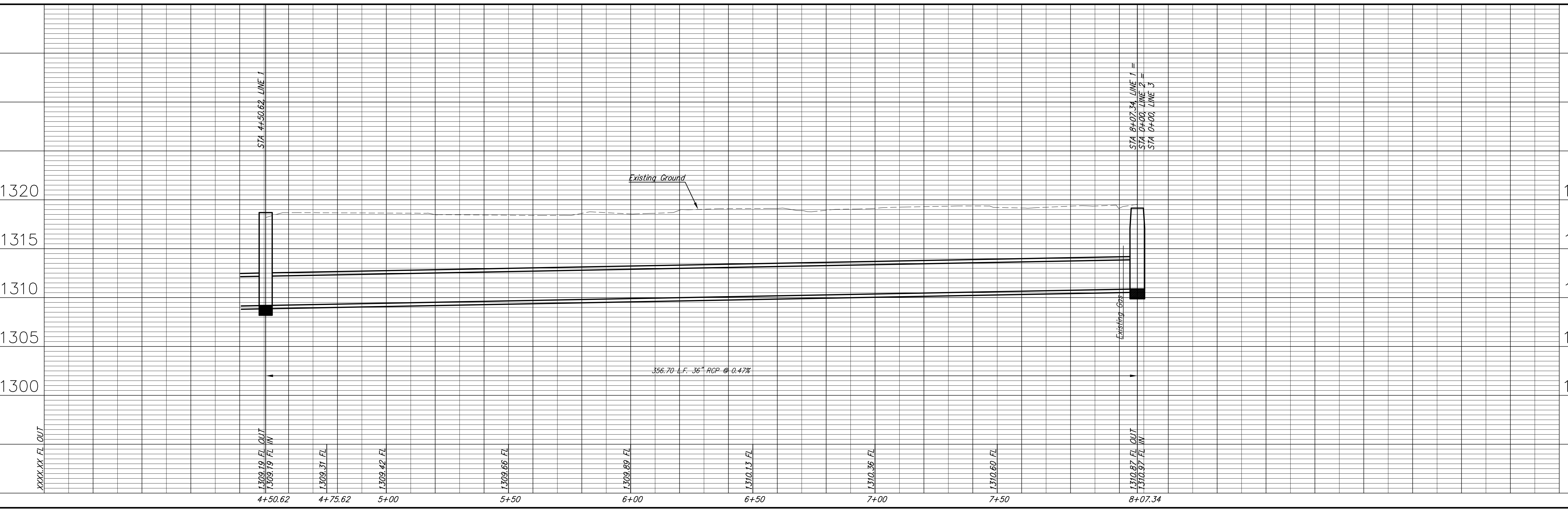
STA 8+07.34, LINE 1 =
 STA 0+00, LINE 2 =
 STA 0+00, LINE 3
 YUCCA STA 8+45.36, 18.73' RT
 CONSTRUCT STD TYPE 1' MH
 DIAMETER = 6.0'
 TOP ELEV = 1319.15



ALL SEWER SHALL BE BACKFILLED WITH NATIVE SOILS EXCEPT WHERE INDICATED DIFFERENTLY. STREET CROSSINGS SHALL BE BACKFILLED WITH SAND AND FLUSHED AND VIBRATED PER CITY SPECIFICATIONS. SUITABILITY OF EXCAVATED SAND FOR USE AS BACKFILL WILL BE DETERMINED BY THE ENGINEER.

CRUSHED ROCK TO BE USED AS TEMPORARY SURFACE IN ALL CASES WHERE PAVEMENT OR GRAVEL IS REMOVED AND TO FILL THE VOID LEFT BY EXISTING CULVERT REMOVAL AS NECESSARY FOR STORM SEWER CONSTRUCTION. BID ITEM IS SUBSIDIARY TO THE BID ITEM FOR THE STORM SEWER PIPE BEING INSTALLED.

CRUSHED ROCK IS TO BE UNIFORMLY GRADED FROM 1-1/2" MAXIMUM SIZE TO NOT MORE THAN 10% PASSING A NO. 200 SIEVE.



Ruggles & Bohm, P.A.
 Engineering, Surveying, Land Planning
 1000 Main Street
 Suite 200
 Wichita, Kansas 67202
 www.ruggles.com
 E-mail: info@ruggles.com

DESIGN: KWL
 DRAWN: RLS
 CHECKED: RLS
 DATE: Sept 24, 2008
 UTILITY: REVIEW

PROJECT NUMBER: 482-84648
 DRAWING FILE: Engineering Base

Pueblo, Mariposa & Sierra
 Storm Drain Line 1
 WICHITA, KANSAS

RB JOB: 32481
 SHEET: 12
 OF: 33