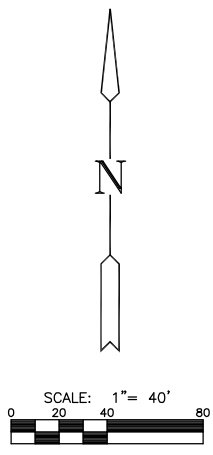
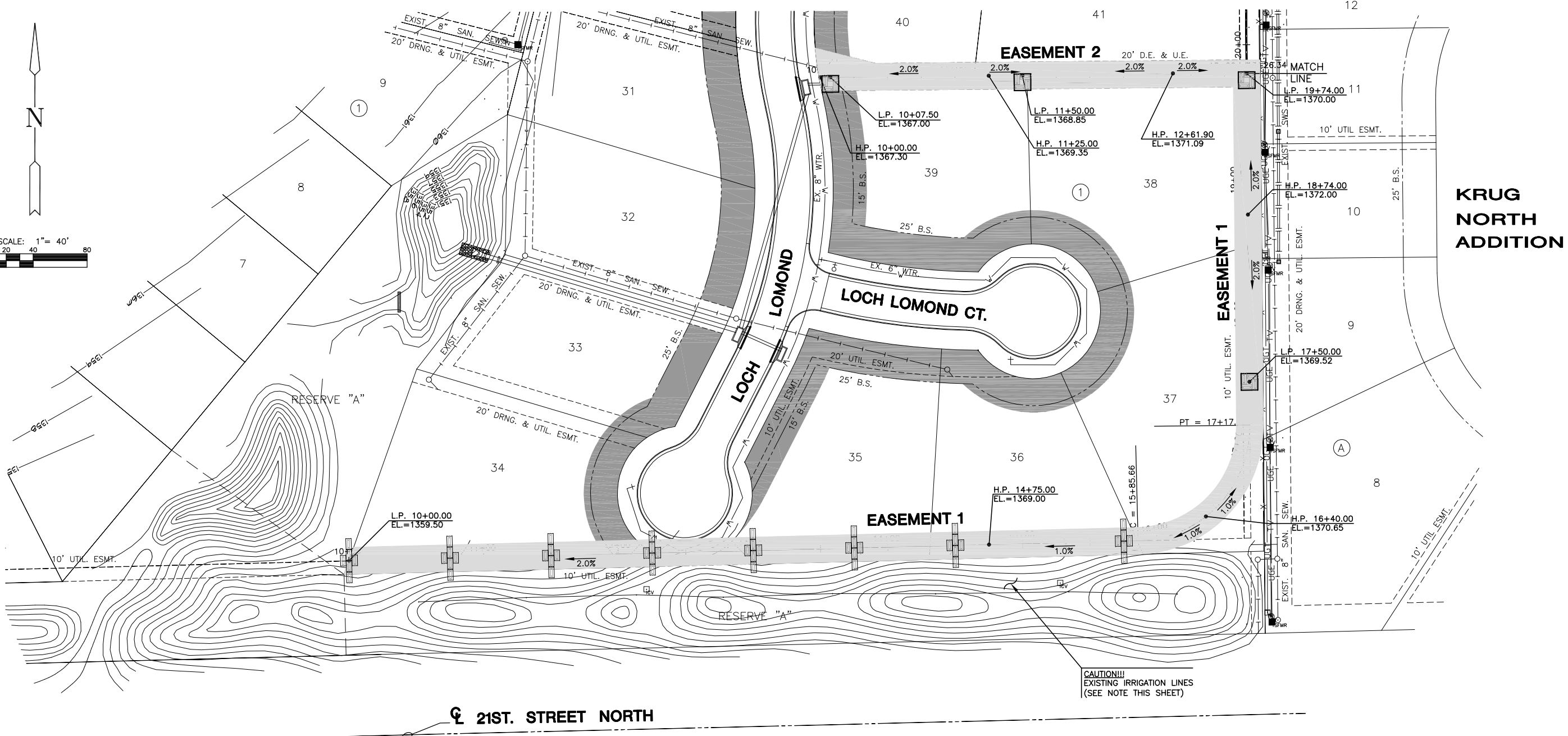


HAWTHORNE THIRD ADDITION

MKEC
ENGINEERING
CONSULTANTS, INC.
411 N. WEBB ROAD
WICHITA, KS. 67206
316 - 684 - 9600

PAVING AND INCIDENTAL DRAINAGE PLANS
HAWTHORNE THIRD ADDITION
PHASE 4



CAUTION!!!
EXISTING IRRIGATION LINES
(SEE NOTE THIS SHEET)

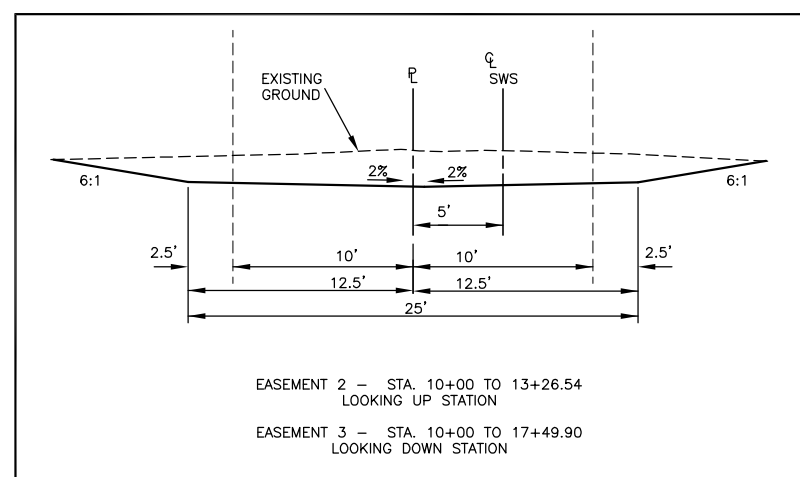
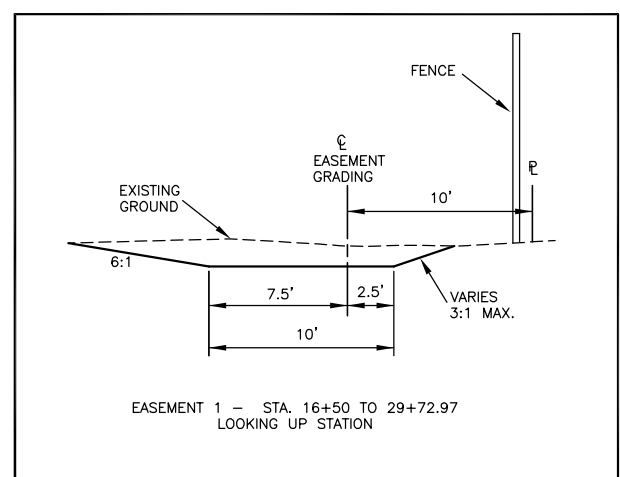
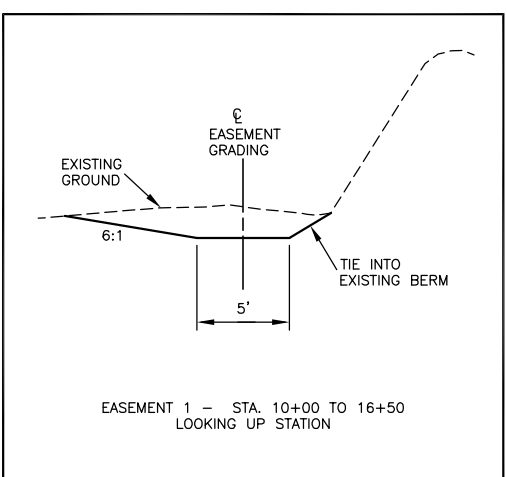
NOTE:
CONTRACTOR TO USE CAUTION NOT TO DAMAGE EXISTING IRRIGATION SYSTEM WHEN GRADING EASEMENT. ANY EXISTING IRRIGATION LINES DAMAGED DURING CONSTRUCTION SHALL BE REPAIRED OR REPLACED AT CONTRACTOR'S EXPENSE.

EASEMENT GRADING
SHEET TITLE
472-84084
PROJECT NUMBER

DFL
DESIGN BY
DM
DRAWN BY
GJA
CHECKED BY

ISSUED
August 2006
REVISED

SHEET NO.
22 of 39



- LEGEND**
- = SEDIMENT BARRIER
 - = INLET PROTECTION
 - = INSTALL HAY BALE SEDIMENT BARRIERS
 - = EASEMENT GRADING
 - = EXCESS MATERIAL (95% STD. COMP.) (SEE NEXT SHEET)

PLOTED: Wednesday, August 30, 2006 @ 08:57AM

H:\CIVIL\02167\DWG\GRAD_3RD_ADD\PH4\02167_G1.DWG