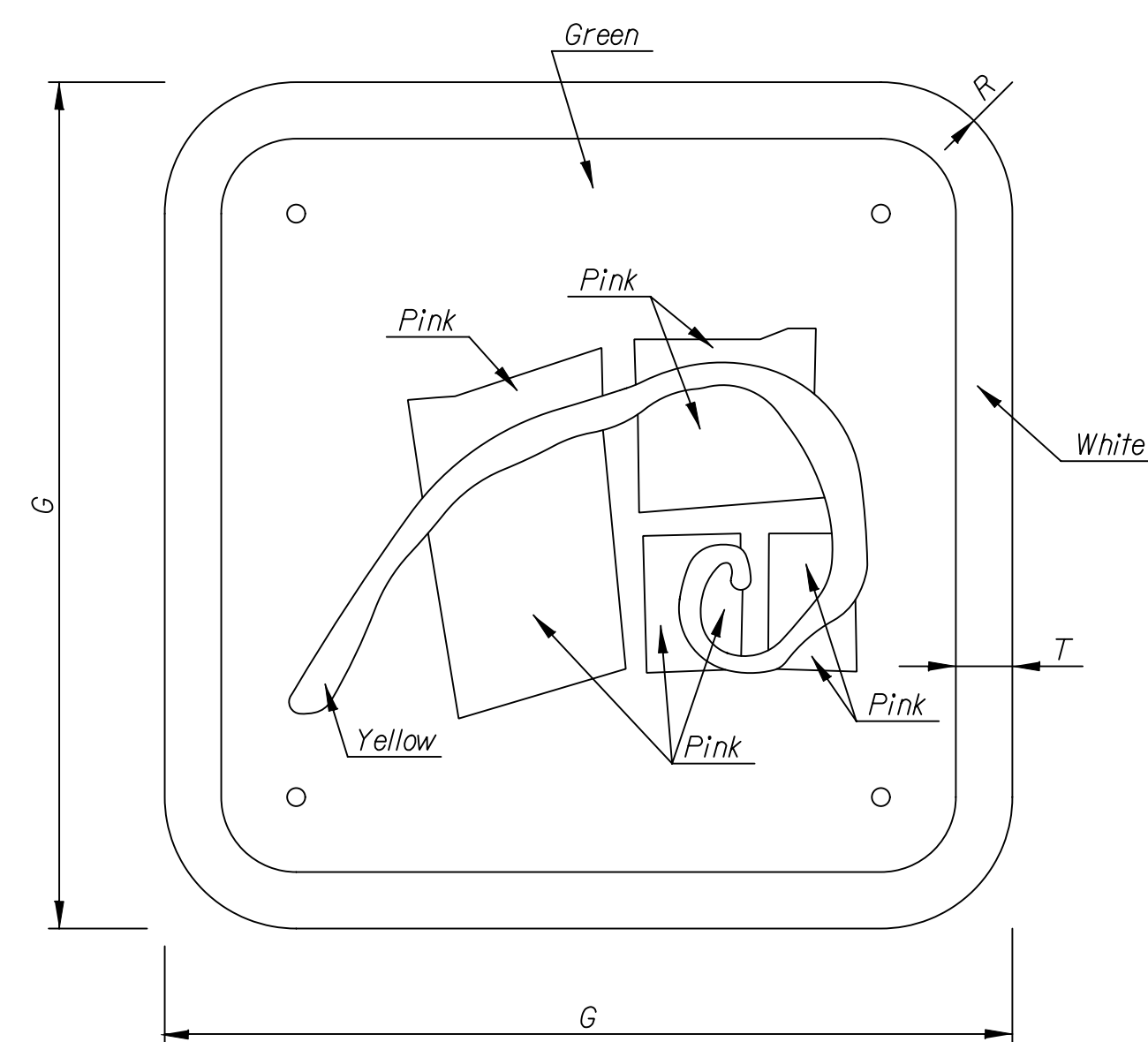
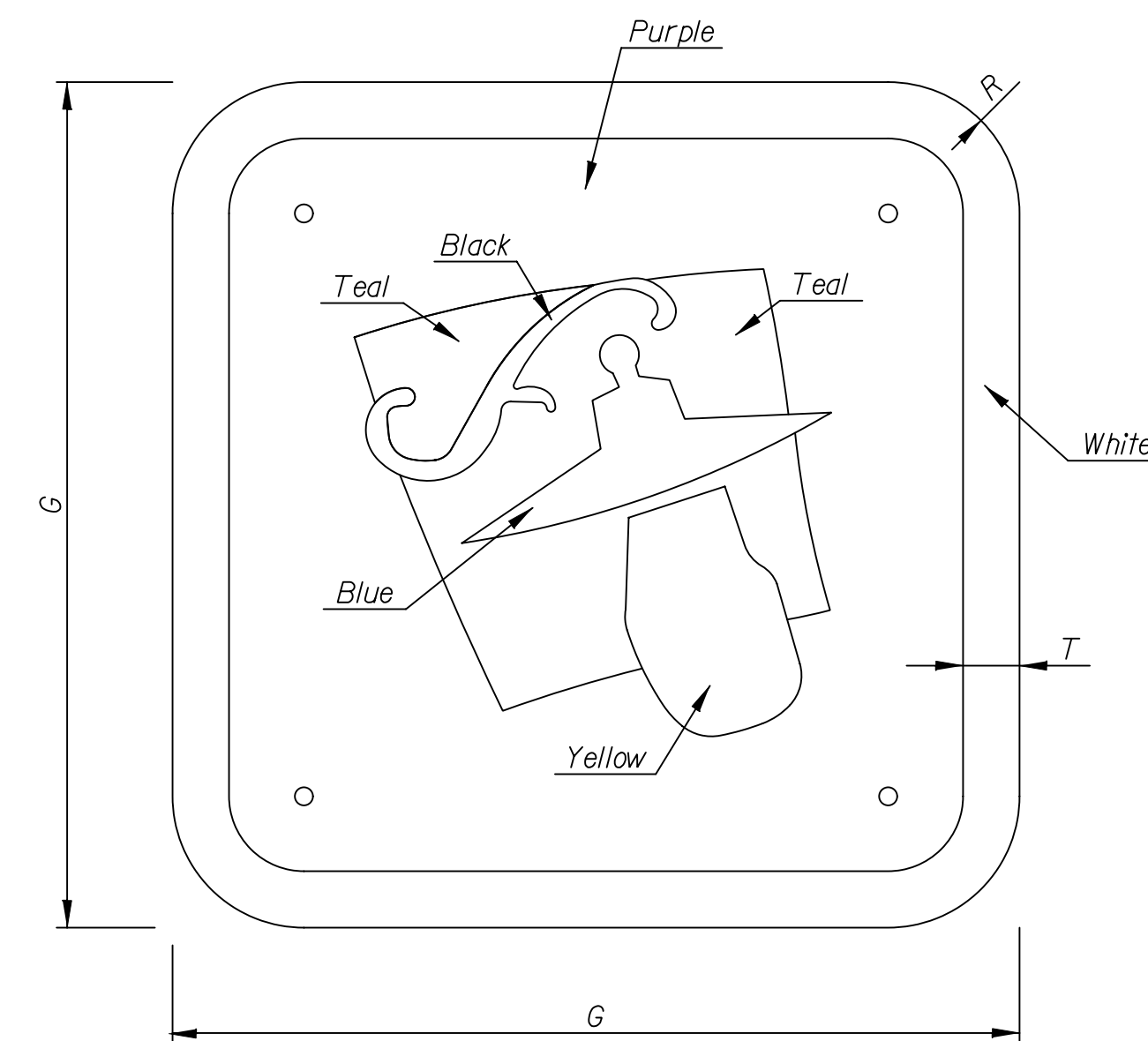


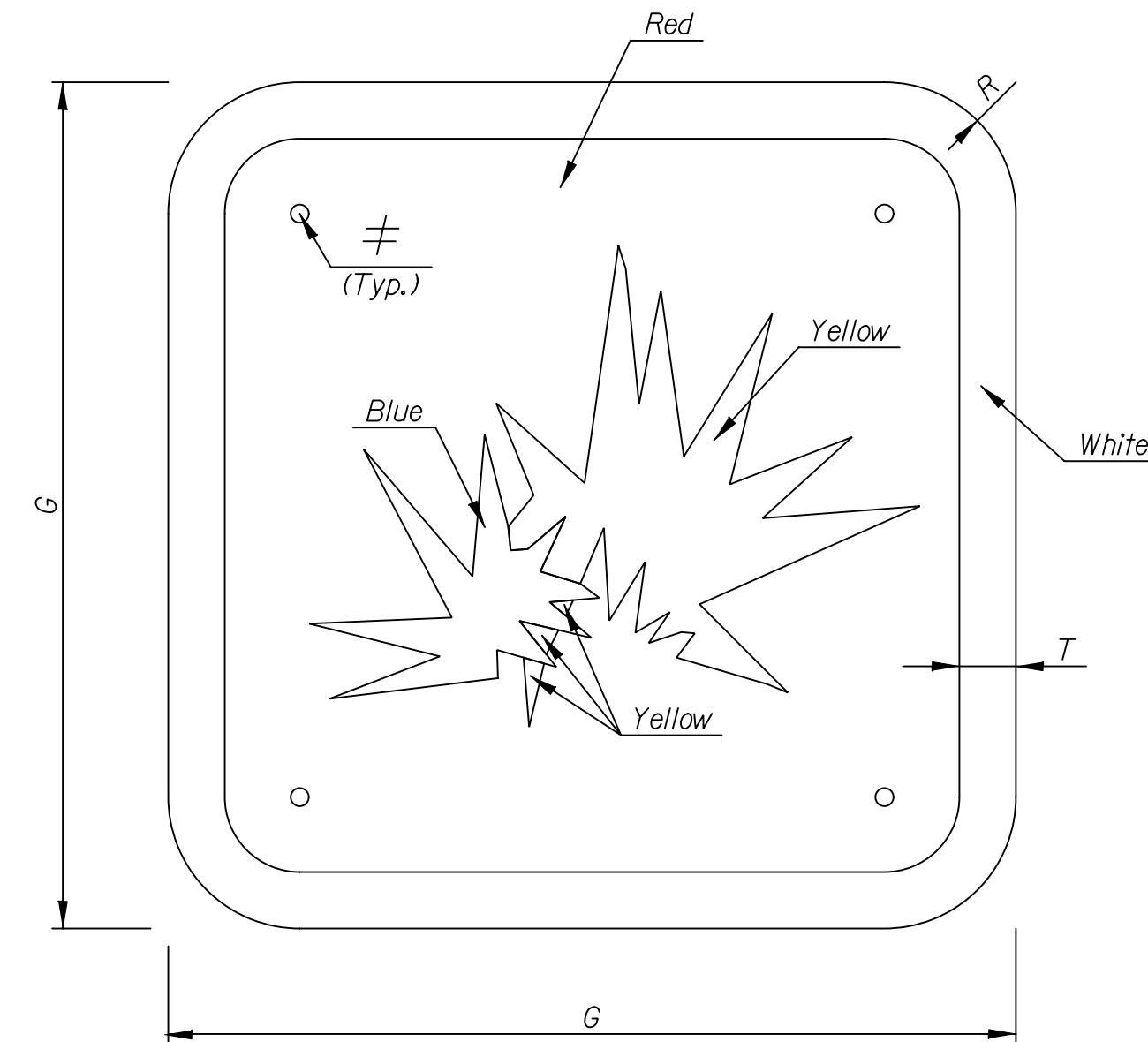
ARENA  
NEIGHBORHOOD



MUSEUMS  
ON THE RIVER

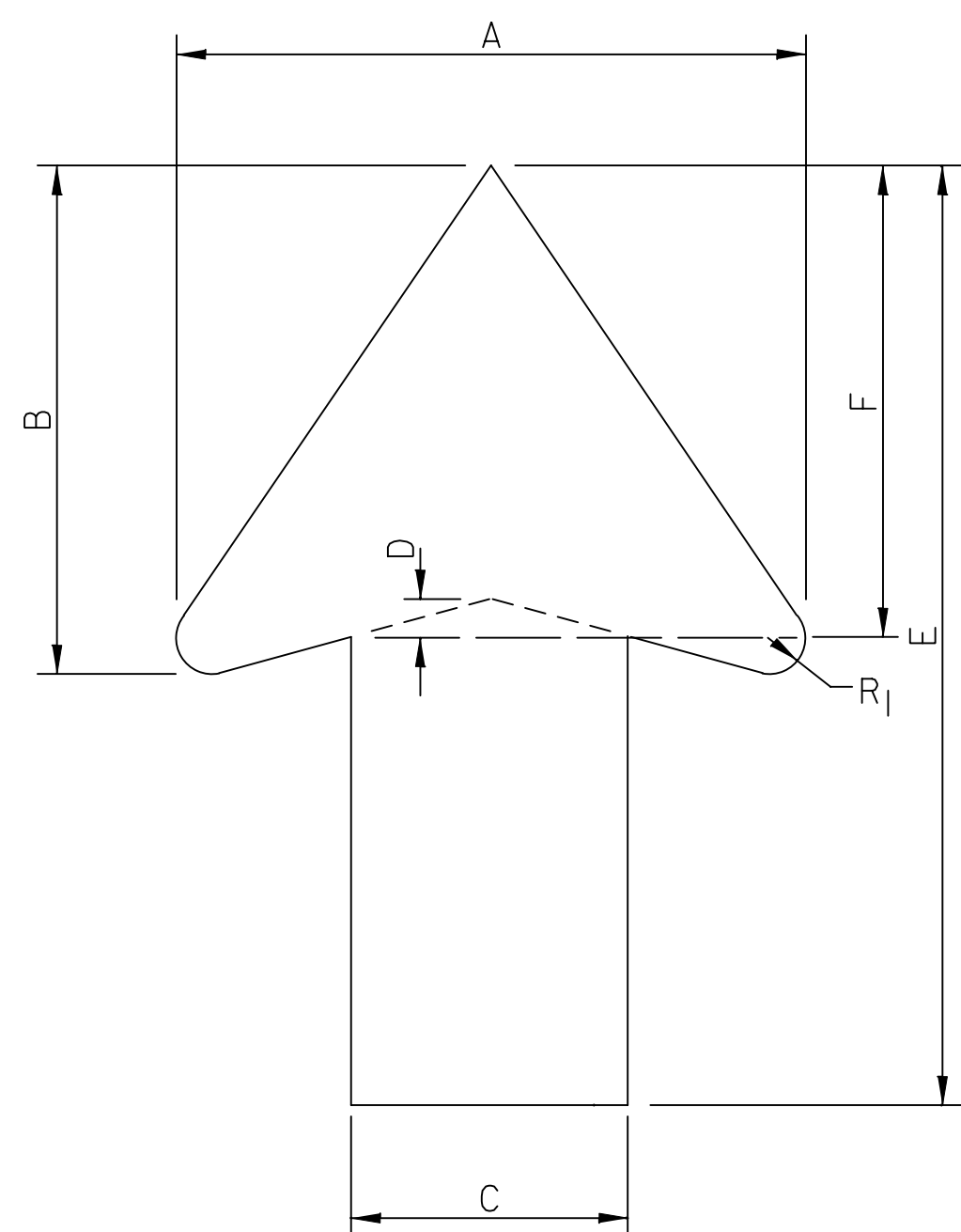


OLD TOWN



RIVER CENTER

DISTRICT SUPPLEMENTAL LEGEND SIGN PANELS



ARROW - ARUP

DISTRICT SUPPLEMENTAL LEGEND  
SIGN PANEL DIMENSIONS (in.)

LETTER HEIGHT	G	T	R
6"	12	0.8	1.87
8"	15	1	2.33

ARROW DIMENSIONS (in )

LETTER HEIGHT	A	B	C	D	E	F	R <sub>1</sub>
6"	6 3/4	5 9/16	2 1/2	3/8	10	5 1/16	1/2
8"	8 3/4	7 1/4	3 1/4	1/2	13	6 9/16	5/8

COLOR SCHEDULE		
MATERIAL	COLOR NAME	PANTONE COLOR
Paints and Inks	Black	Pantone Black C
	Gray	Pantone Cool Gray 10 C
	Red	Pantone 187 C
	Green	Pantone 347 C
	Purple	Pantone 512 C
	Terra Cotta	Pantone 1675 C
	Blue	Pantone 7462 C
	Yellow	Pantone 123 C
	Pink	Pantone 213 C
	Orange	Pantone 164 C
	Teal	Pantone 7473 C

Note: Supplemental District Sign Panels shall be separate panels affixed to the Guide Sign Panel at the location shown. The panels shall be fabricated of the flat sheet aluminum blanks and vinyl screening, as detailed in the Specifications.

The Contractor shall contact Gardner Design, (316) 691-8808, for a detailed image file of each district supplemental legend sign panel. The color white shall meet the current MUTCD requirements for white legend. Each panel shall meet the retroreflectivity requirements given in the Standard Specifications for State Road and Bridge Construction (2007 Edition) and Special Provisions.

The Contractor shall provide a sample of each 12" x 12" Supplemental Legend Sign Panel for approval by the Engineer before installing any panels on the Legend Signs.

±0.128" Diameter Hole for 1/8" Diameter Aluminum Front Entry Rivet. The rivet shall be painted and finished to match the final color and appearance of the adjacent panel color. Any inconsistencies in appearance with the adjacent panel color shall be cause for rejection of the sign installation.

Revision		By	Date
WICHITA WAYFINDING			
<b>SIGN LAYOUTS DETAILS LEGEND GUIDE SIGNS</b>			
JAMES L. ARMOUR, P.E. - CITY ENGINEER CITY OF WICHITA PROJECT NO. 472-84843A			
<b>Professional Engineering Consultants, P.A.</b> 303 S. TOPEKA • WICHITA, KANSAS 67202 316-262-2691 • FAX 316-262-3003			
Designed by	DRM	Job No.	09213
Drawn by	GDR	Date	Sept. 2009
			Sht. 16 of 37