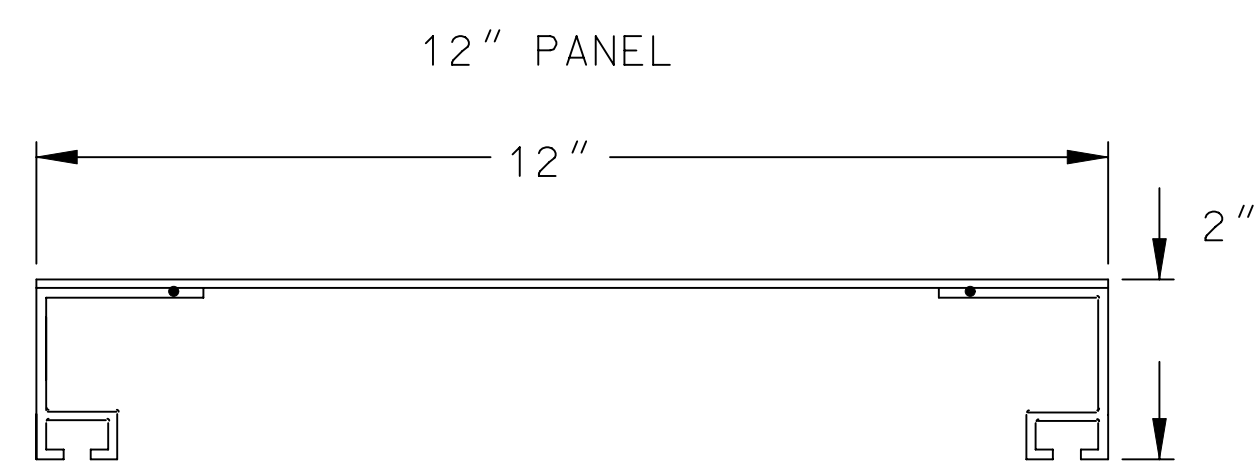
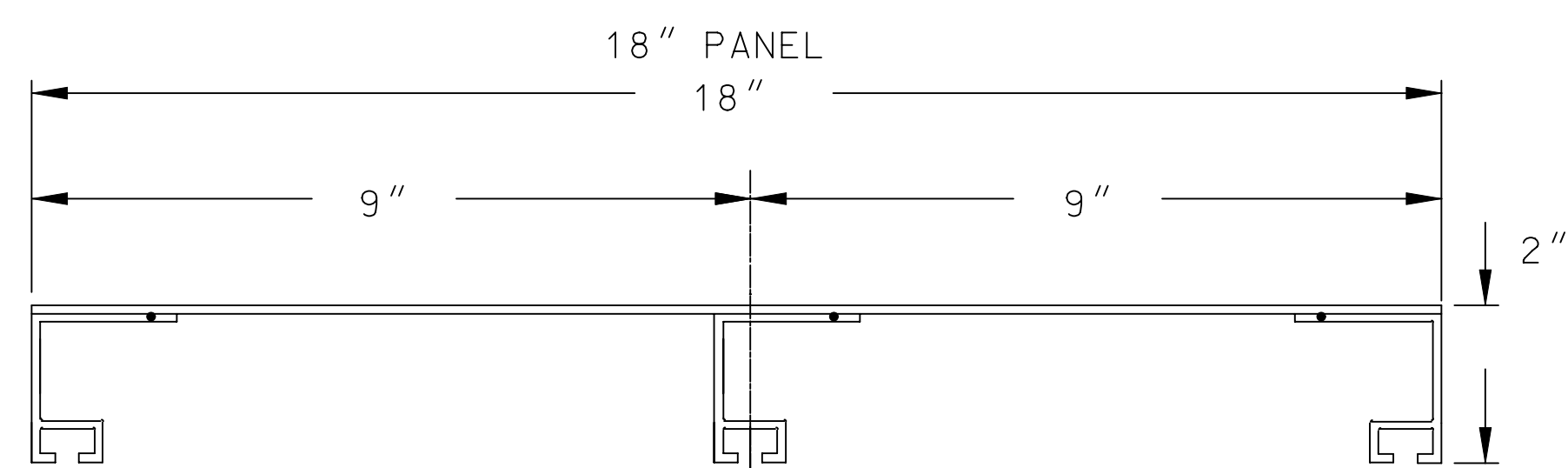
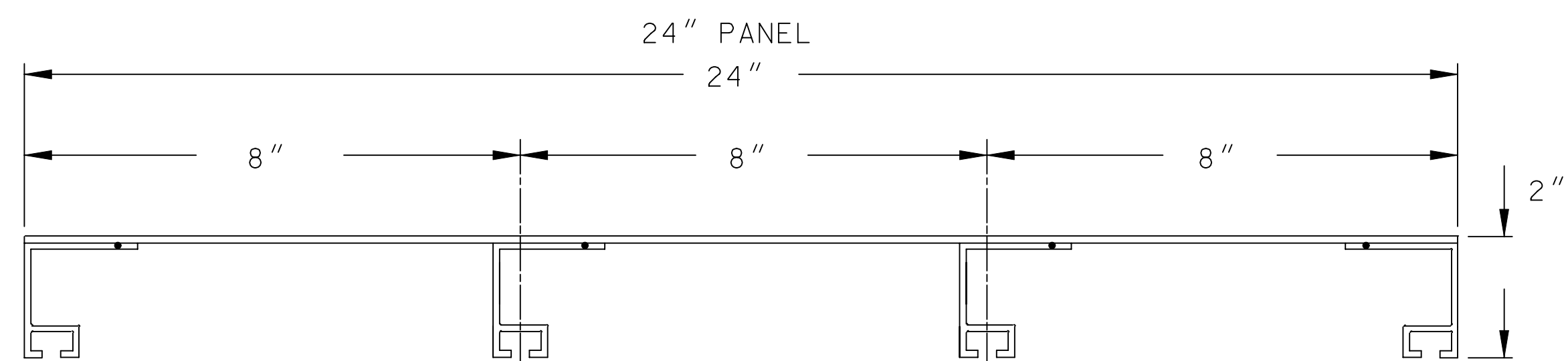
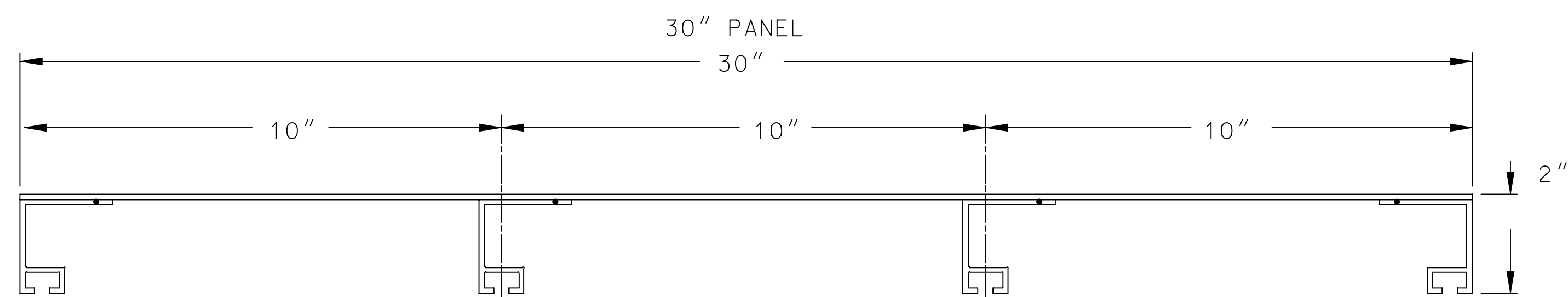
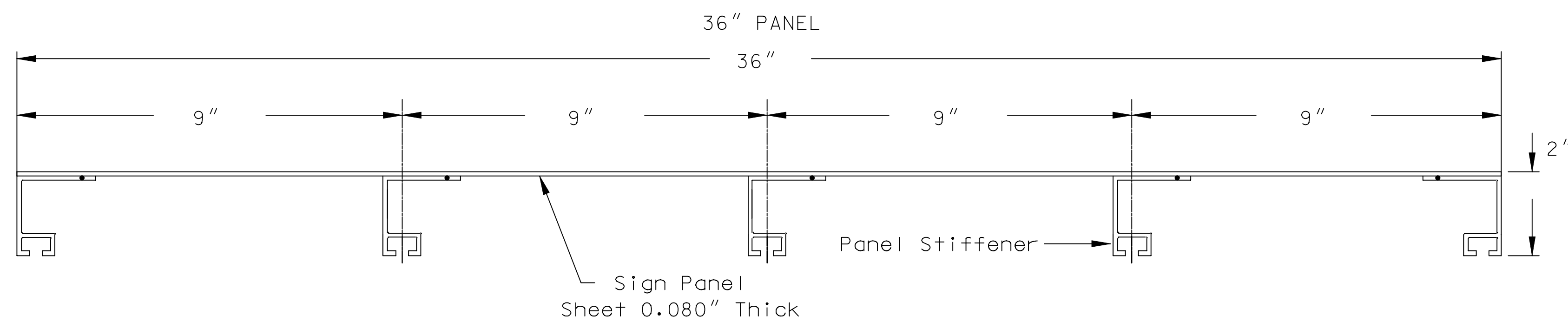
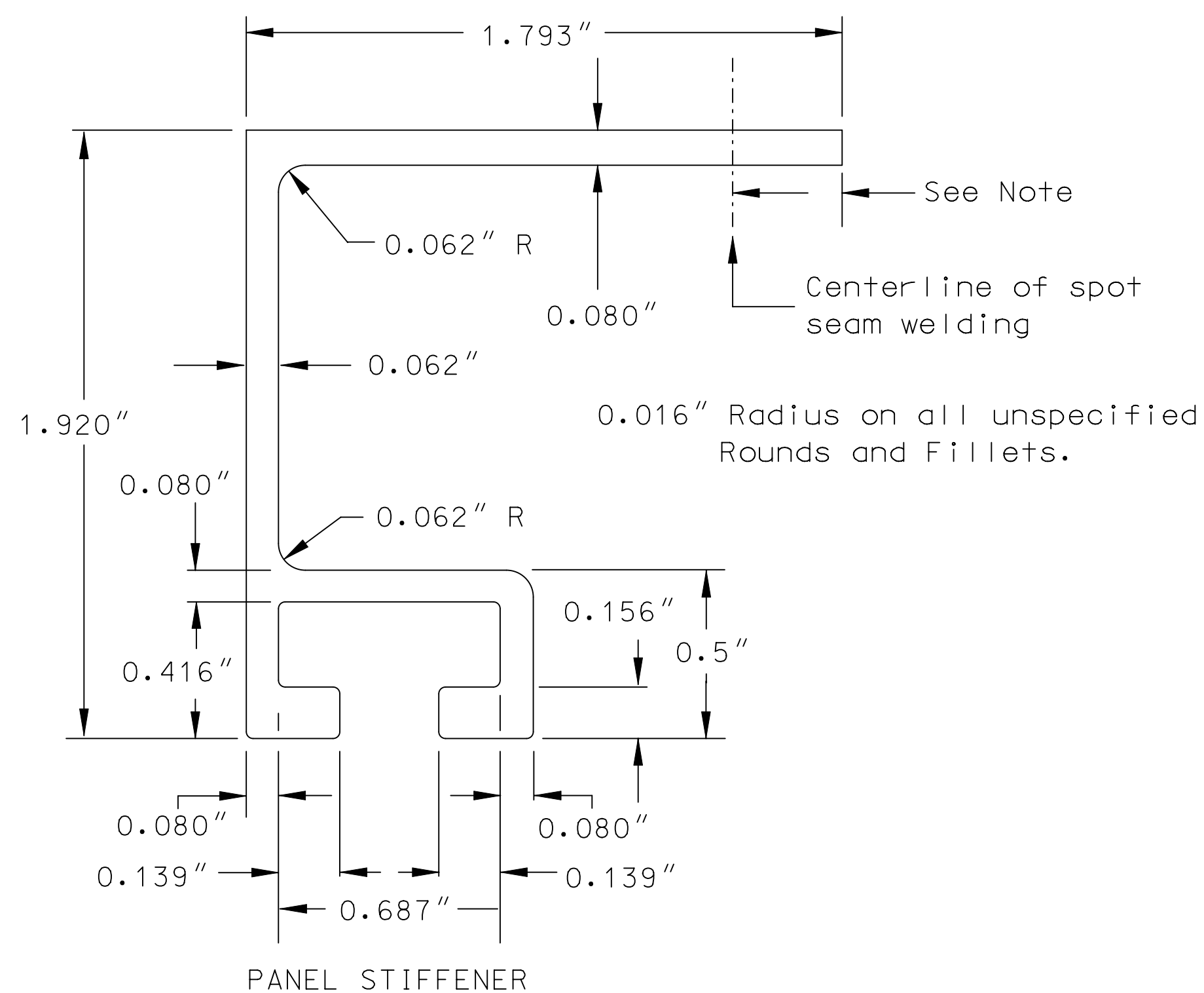


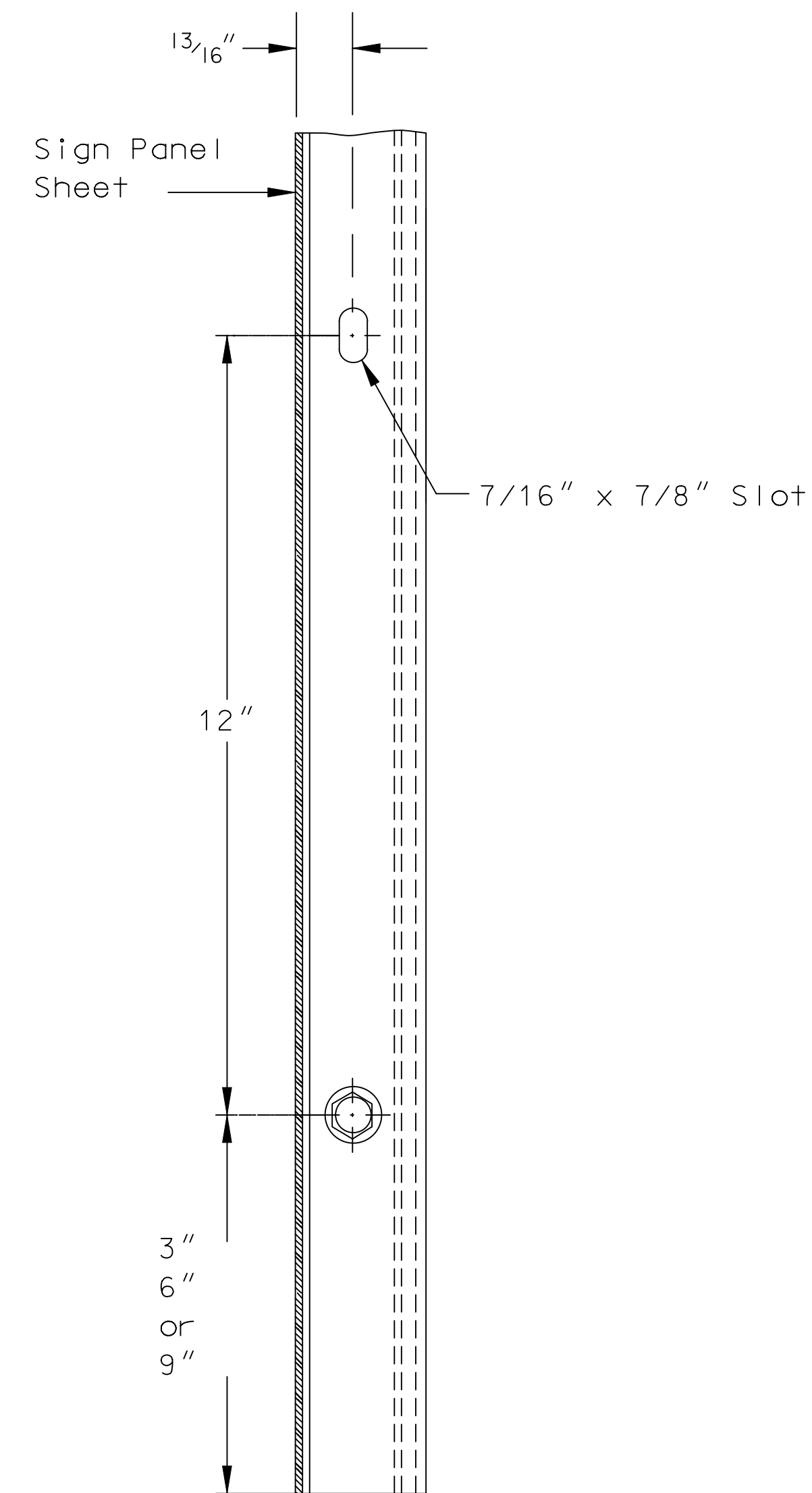
STATE	PROJECT NO.	YEAR	SHEET NO.	TOTAL SHEETS
KANSAS	C.O.W. No. 472-84843A	2009	27	37



STRUCTURAL SIGN PANEL WIDTHS

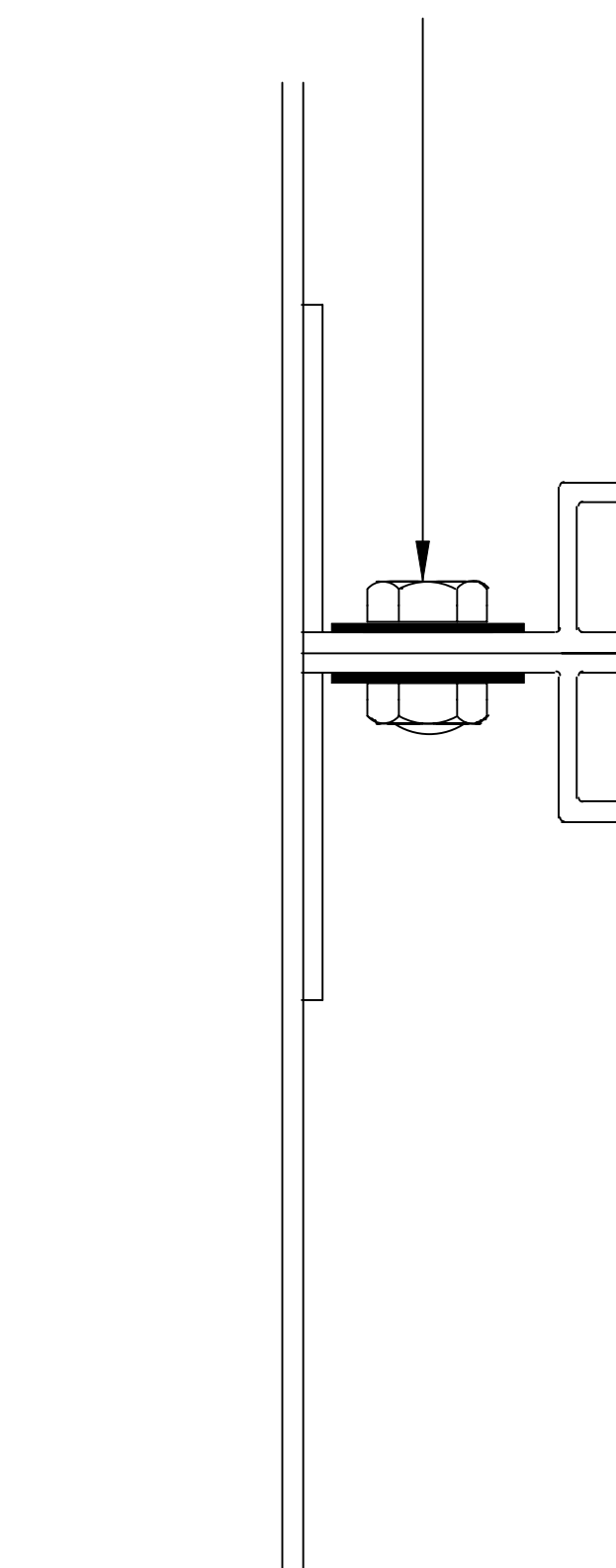


PANEL STIFFENER



PANEL CONNECTOR SLOTS

Aluminum 3/8" x 3/4" Hex Bolt, 2 flat washers and hex nut.



PANEL CONNECTIONS

NOTE:
Sign Panel Stiffeners shall be attached to Sign Panel using intermittent seam welding with spot on 8" centers the length of the stiffener and a minimum of 1/2" from the edge of the stiffener.

All dimensions are in inches.

3				
2				
1				
NO.	DATE	REVISIONS	BY	APP'D

KANSAS DEPARTMENT OF TRANSPORTATION
REINFORCED PANEL DETAILS
EXTRUSHEET FABRICATION

DESIGNED	DDG	DATE	07-22-2003	APP'D	Steven A. Buckley
DESIGN CK.	SAB	DETAIL CK.	DDG	QUANTITIES	TRACED
				QUAN. CK.	TRACE CK.

TE551 07-01-03

Plotted By : gdr
Plot File : I:\2009\09213\Standards\09213-Standards-TE551.dgn
Plot Date : 9/16/2009