

80'S & 24'E of CL of MacArthur & Gilda St.

N 19915.81 E 19643.45
STA. 0+00.00, LINE 1 =
STA. 10+00, LINE 2
CONNECT TO EXIST MH W/
EX. 8" STUB (E).
TOP ELEV. 1312.48

98'S & 109'E of CL of MacArthur & Gilda St.

MH - 1
N 19899.35 E 19748.40
STA. 1+06.24, LINE 1
CONSTRUCT STD. TYPE 'P' MN, D=4.0'
TOP ELEV. 1310.90

MacArthur

Hoover

MH - 2
N 19900.12 E 19822.02
STA. 1+79.86, LINE 1
CONSTRUCT STD. TYPE 'P' MH, D=4.0'
TOP ELEV. 1310.40
4" STUB FL (SE) = 1304.54

98'S & 183'E of CL of MacArthur & Gilda St.

MH - 3
N 19804.55 E 19653.02
STA. 11+11.67, LINE 2
CONSTRUCT STD. TYPE 'P' MH, D=4.0'
TOP ELEV. 1313.40
36'N & 133'E of Gilda Ct. & Gilda St.

MH - 4
N 19626.14 E 19653.02
STA. 12+90.08, LINE 2
CONSTRUCT STD. TYPE 'P' MH, D=4.0'
TOP ELEV. 1313.40
4" STUB FL (SW) = 1304.64
143'S & 130'E of CL of Gilda Ct. & Gilda St.

N 19915.81 E 19643.45
STA. 0+00.00, LINE 1 =
STA. 10+00, LINE 2
CONNECT TO EXIST MH W/
EX. 8" STUB (E).
TOP ELEV. 1312.48

Gilda

Gilda Ct.

B.G.'s 1st Addition

140'S & 309'E of CL of Gilda Ct. & Gilda St.

MH - 5
N 19626.09 E 19832.03
STA. 14+69.09, LINE 2
CONSTRUCT STD. TYPE 'P' MH, D=4.0'
TOP ELEV. 1311.40
4" STUB FL (SE) = 1305.30

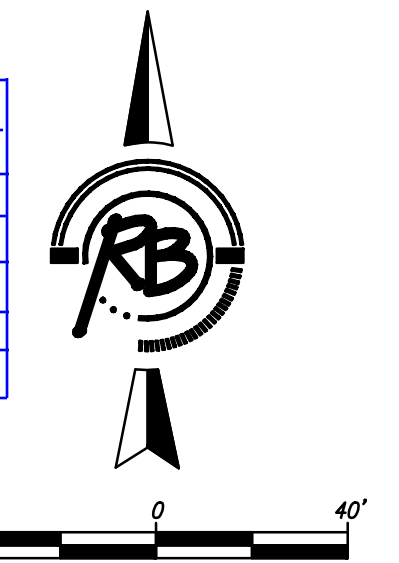
Hoover

NUMBER	DISTANCE FROM MAIN TO RISER (L/L/RT.)	DISTANCE FROM	
		UPSTREAM MH	DOWNSTREAM MH
1	6' Rt.	n/a	74
2	5' Rt.	74	178
3	5' Rt.	n/a	179
4	5' Rt.	85	50
5	6' Rt.	44	135

SEWER SERVICE TABLE

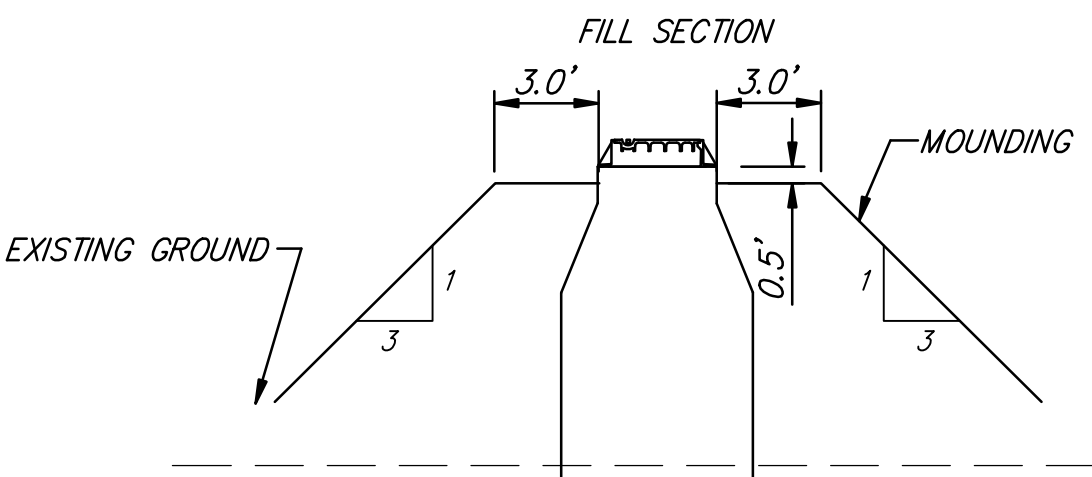
NUMBER	TYPE	LOCATION				FOR INFORMATION ONLY	
		LOT NO.	BLOCK NO.	LINE NO.	STATION \ DIRECTION	APPROXIMATE LENGTH 4" PIPE	
						VERTICAL	HORIZONTAL
1	4" Stub w/Riser	3	1	1	1+79.86 /Rt.	5'	5'
2	4" Stub w/Riser	7	1	2	12+90.08/Rt.	8'	5'
3	8" X 4" Tee Saddle	8	1	2	+3+40/Rt. 14+69.09 /	7'	5'
4	8" X 4" Tee Saddle	9	1	2	+4+25/Rt. 13+40 /	6'	5'
5	4" Stub w/Riser	10	1	2	14+69.09/Rt.	5'	5'

NOTE: Vertical Riser Pipe shall be extended to 2' minimum above ground water elevation and 4' maximum below proposed ground elevation.



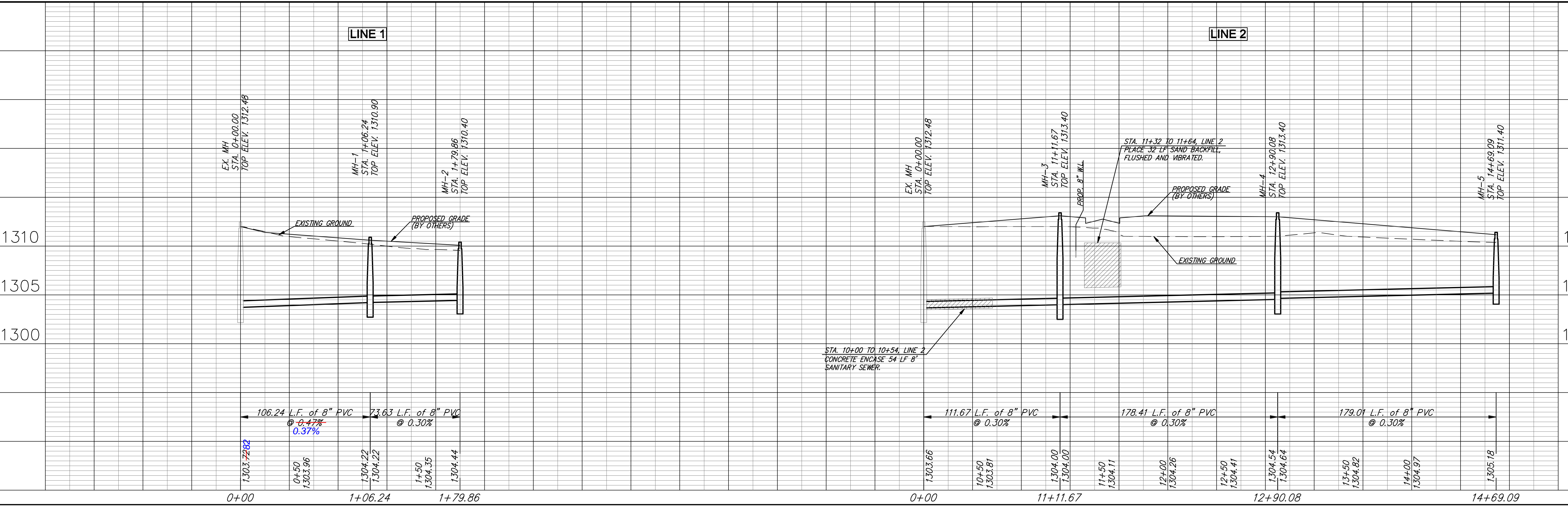
Manhole Grading Detail (Typical)

Note: MH Grading shall be subsidiary to "MH, Type P or C (Standard)"



LINE 1

LINE 2



Russell & Perkins, P.A.
 Engineering, Surveying, Land Planning
 468 - 84359
 Engineering Base [02 SS1]
 June 23, 2009
B.G.'S 1ST ADDITION LINES 1 AND 2 WICHITA, KANSAS
 3460E
 2
 12