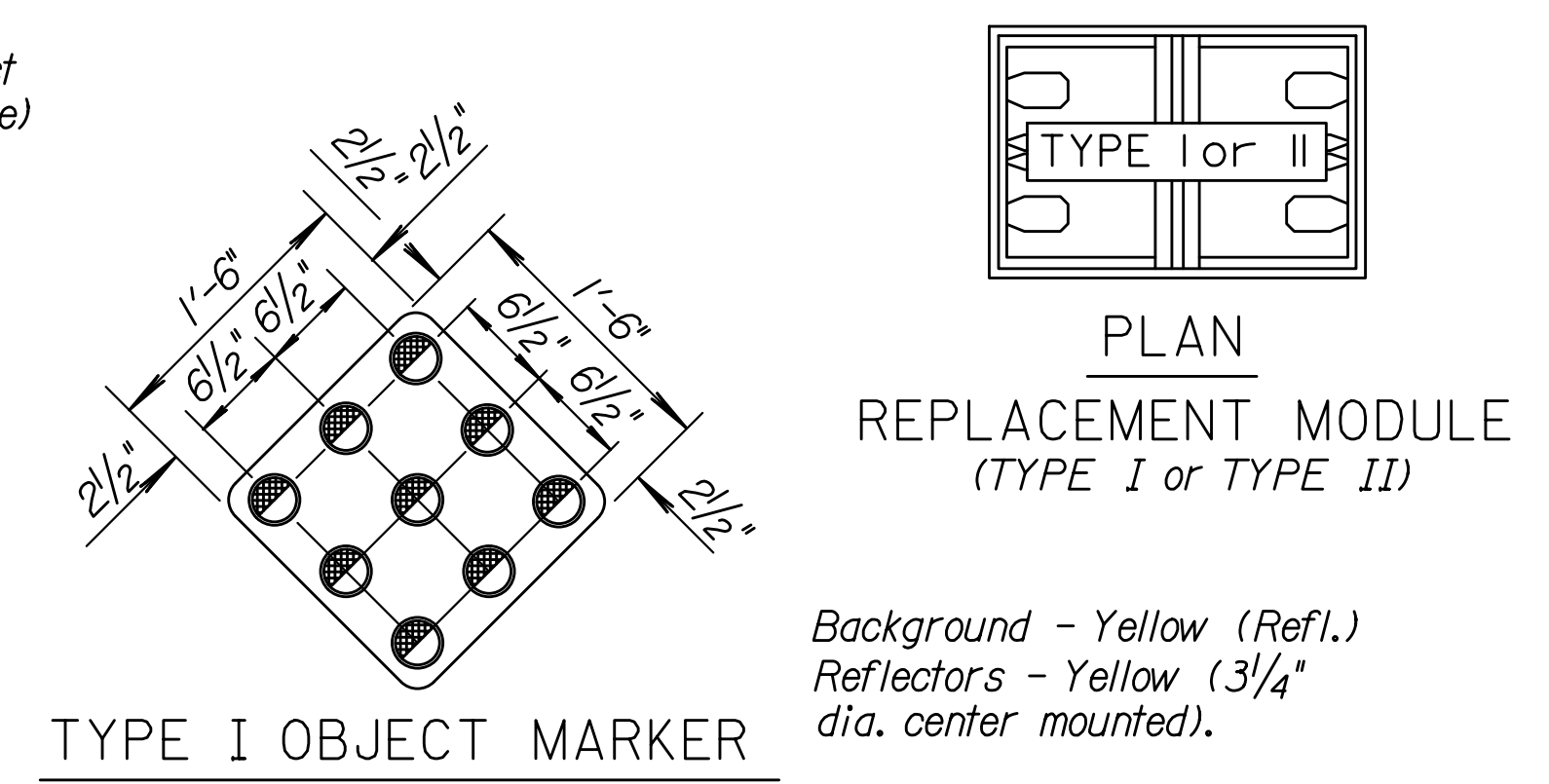
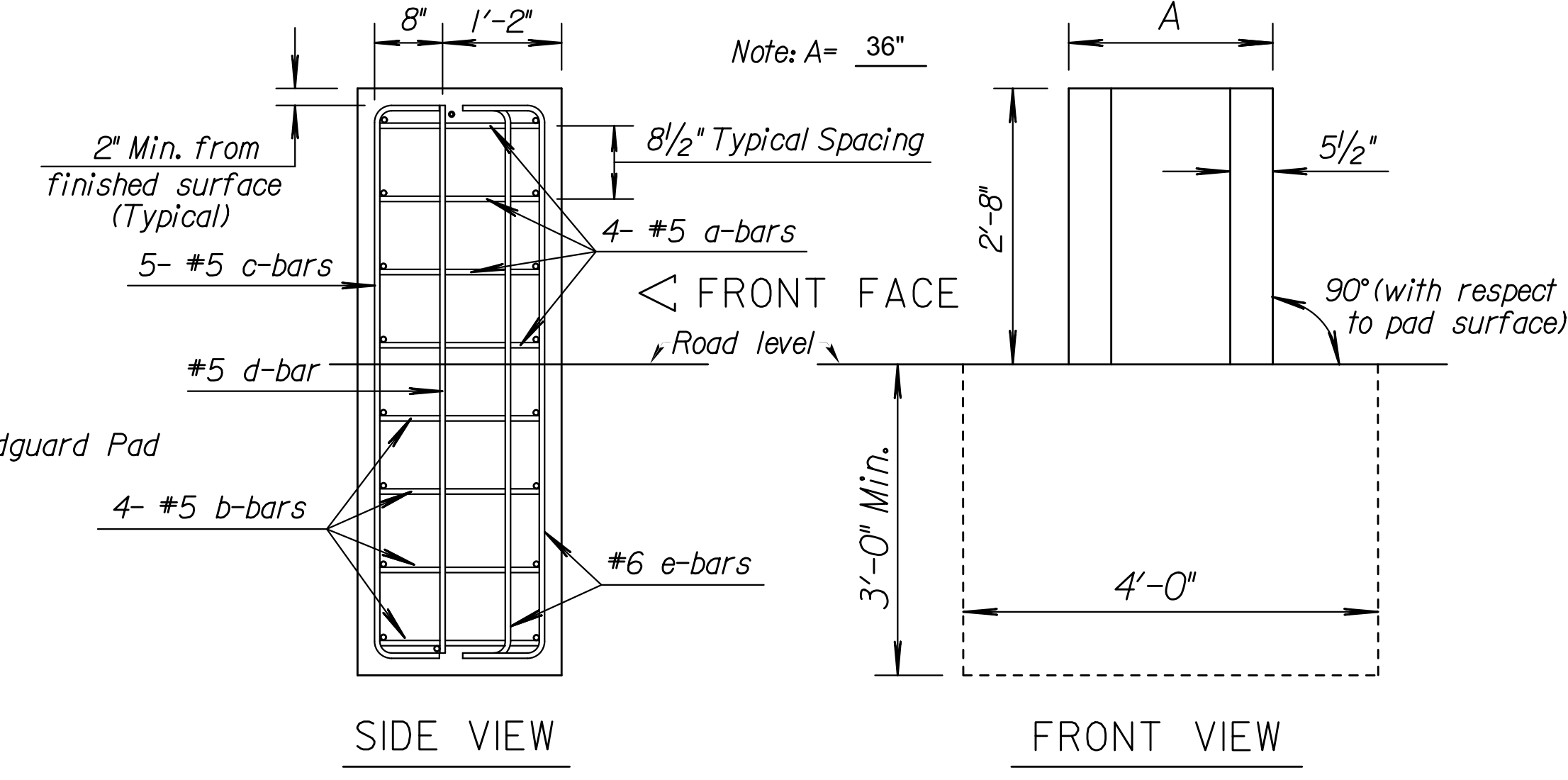
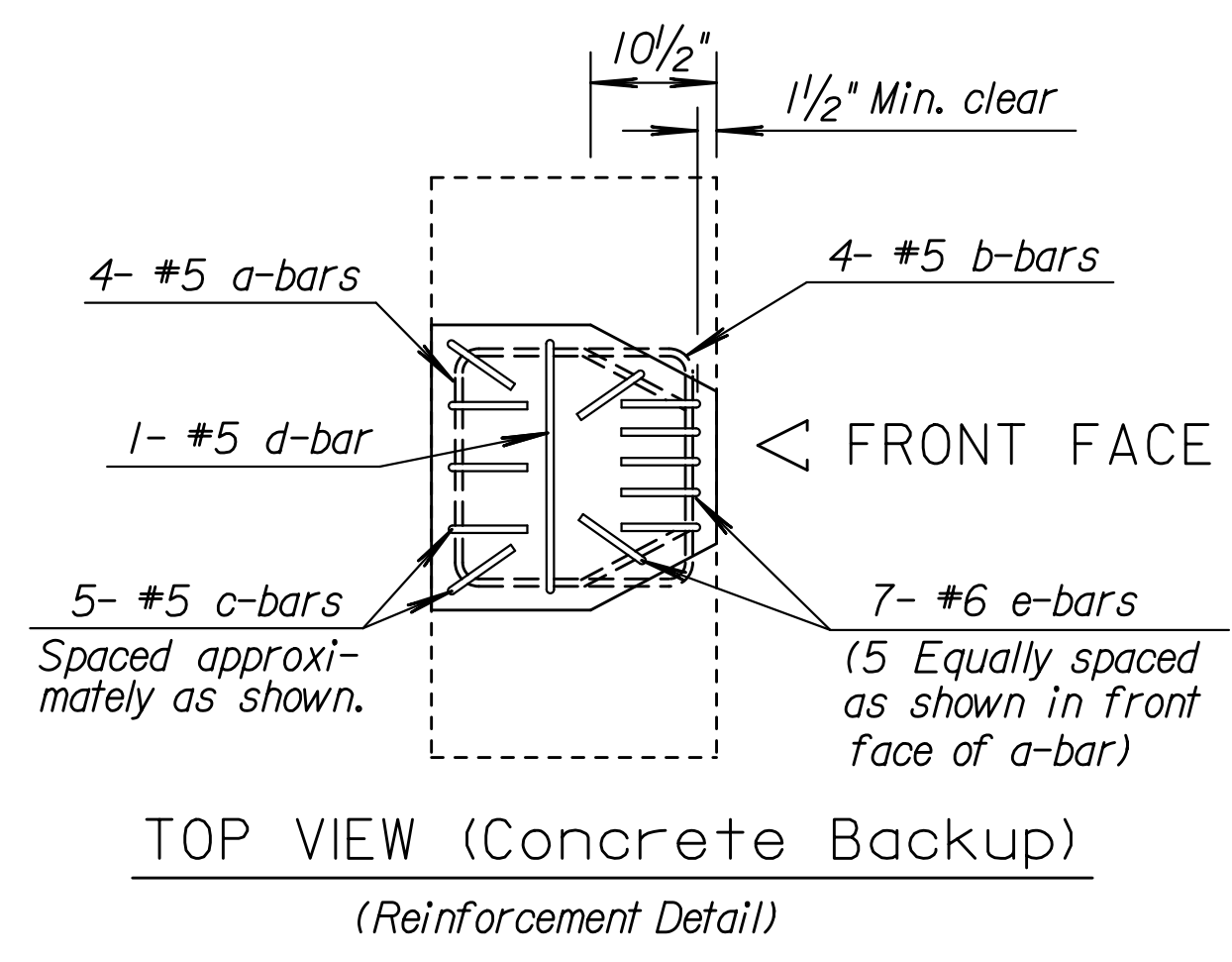
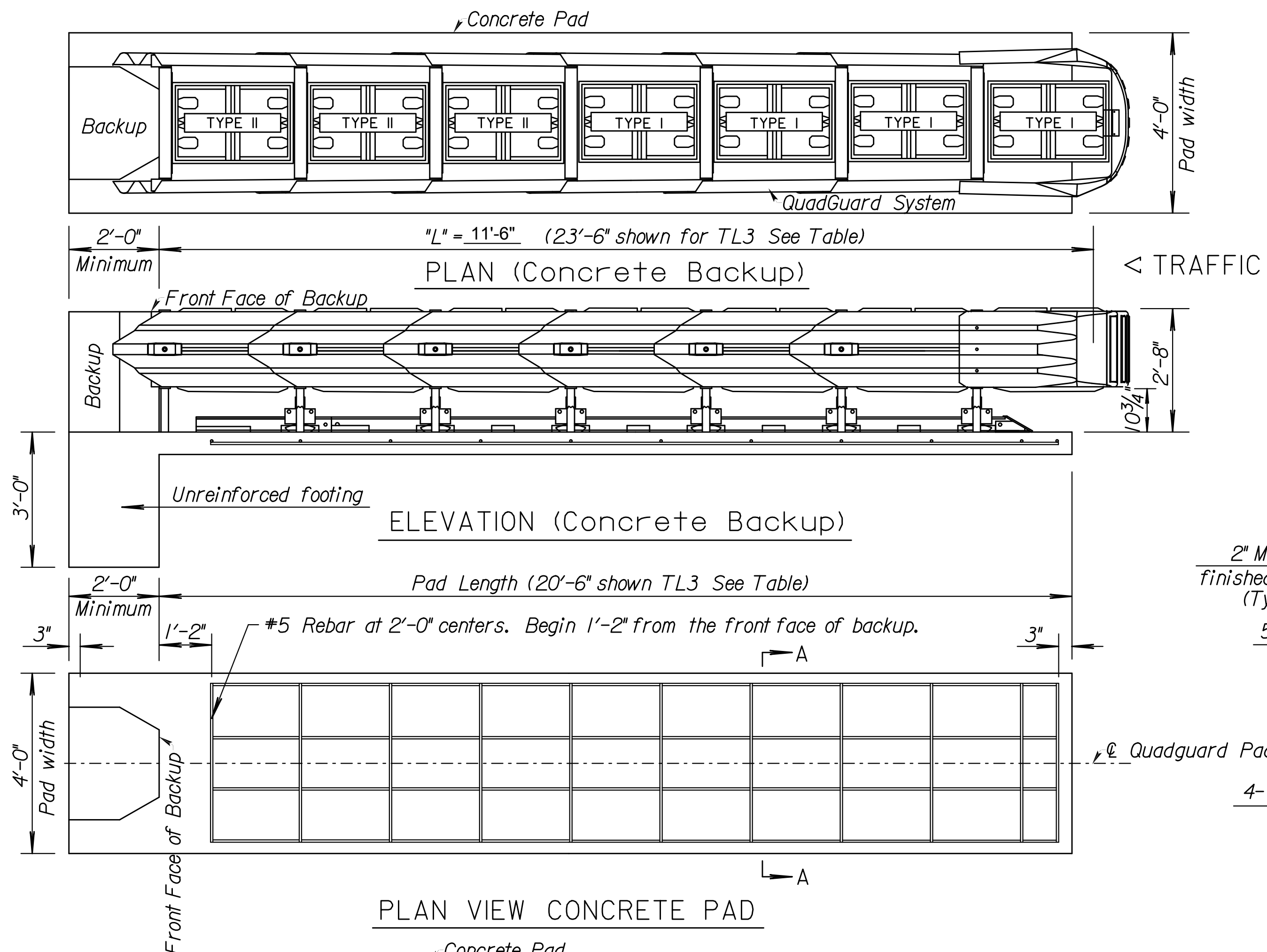
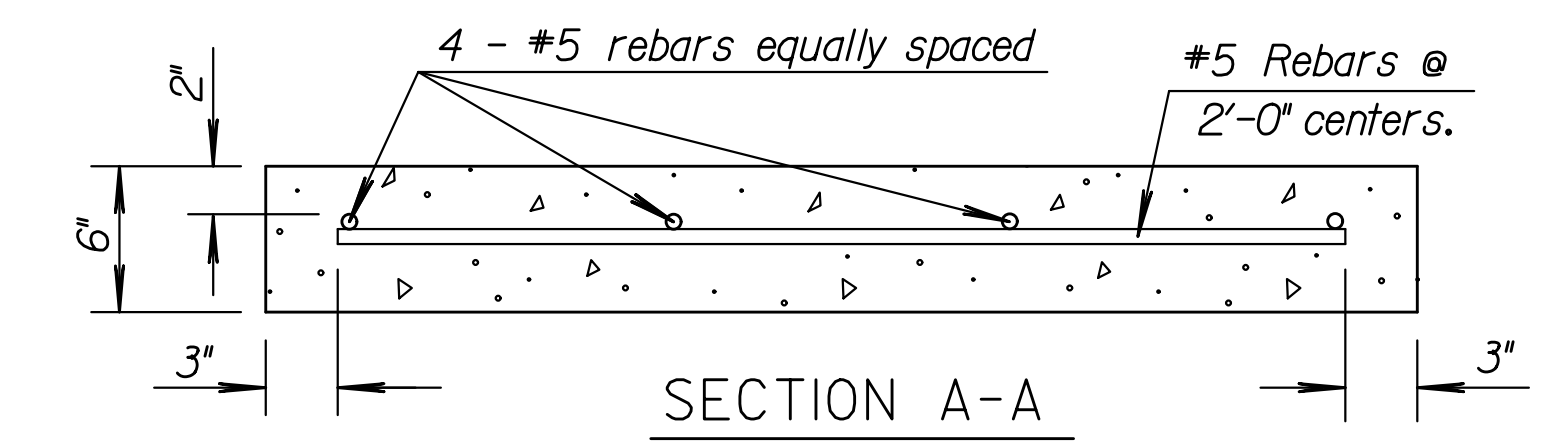


GENERAL NOTE
 Details shown on this sheet of QuadGuard and QuadGuard CZ are for information only and may not be an exact detail of QuadGuard or QuadGuard CZ. See the manufacturer's Installation Manual furnished to the Engineer for details of components, installation and maintenance. The QuadGuard System shall consist of the following items which shall be considered *Subsidiary*.
 QuadGuard Model Number QS3603Y
 Conc. Backup Wall Assembly
 Conc. Slab for Assembly
 Any Equipment necessary to meet the Manufacturer's requirements for a complete and functioning system.
 See the KDOT Standard Specifications for additional information.
 A Type I Object Marker shall be attached at the approach end of the system. The Object Marker shall be bolted or riveted to the end bay.
 All work and materials required for installation of this attenuator shall be paid under the bid item "Impact Attenuator (TL2 or TL3) or "Impact Attenuator (TL2 or TL3)(Temporary)".

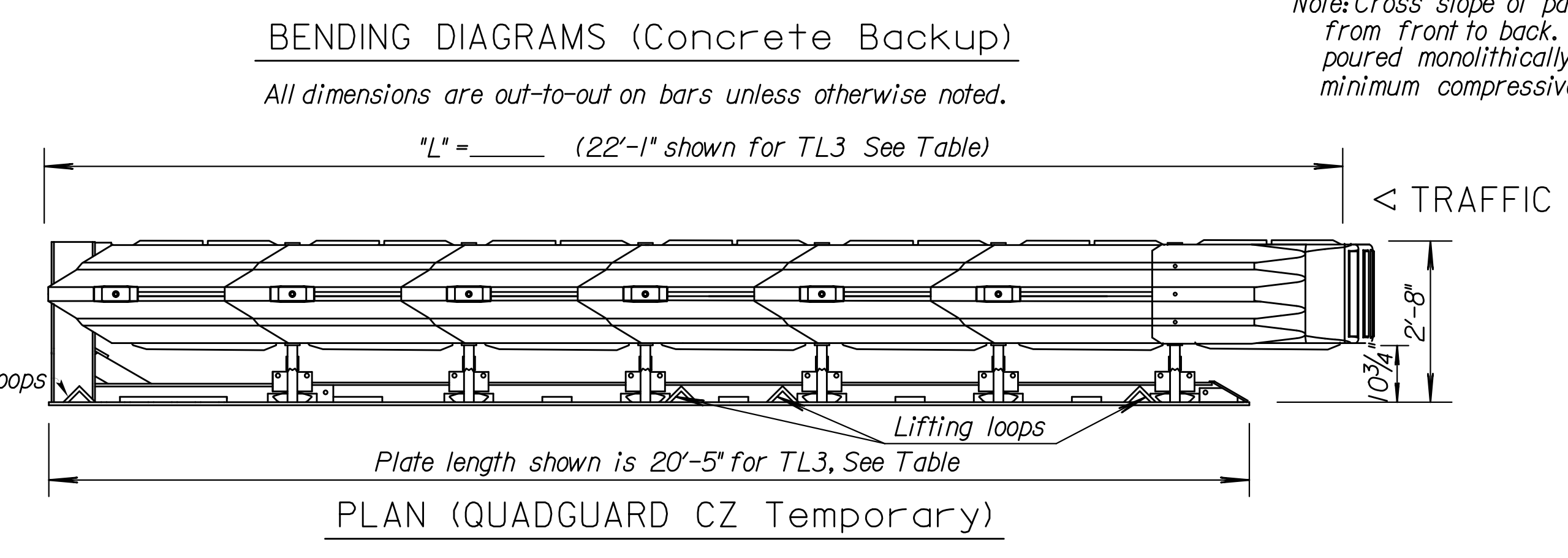
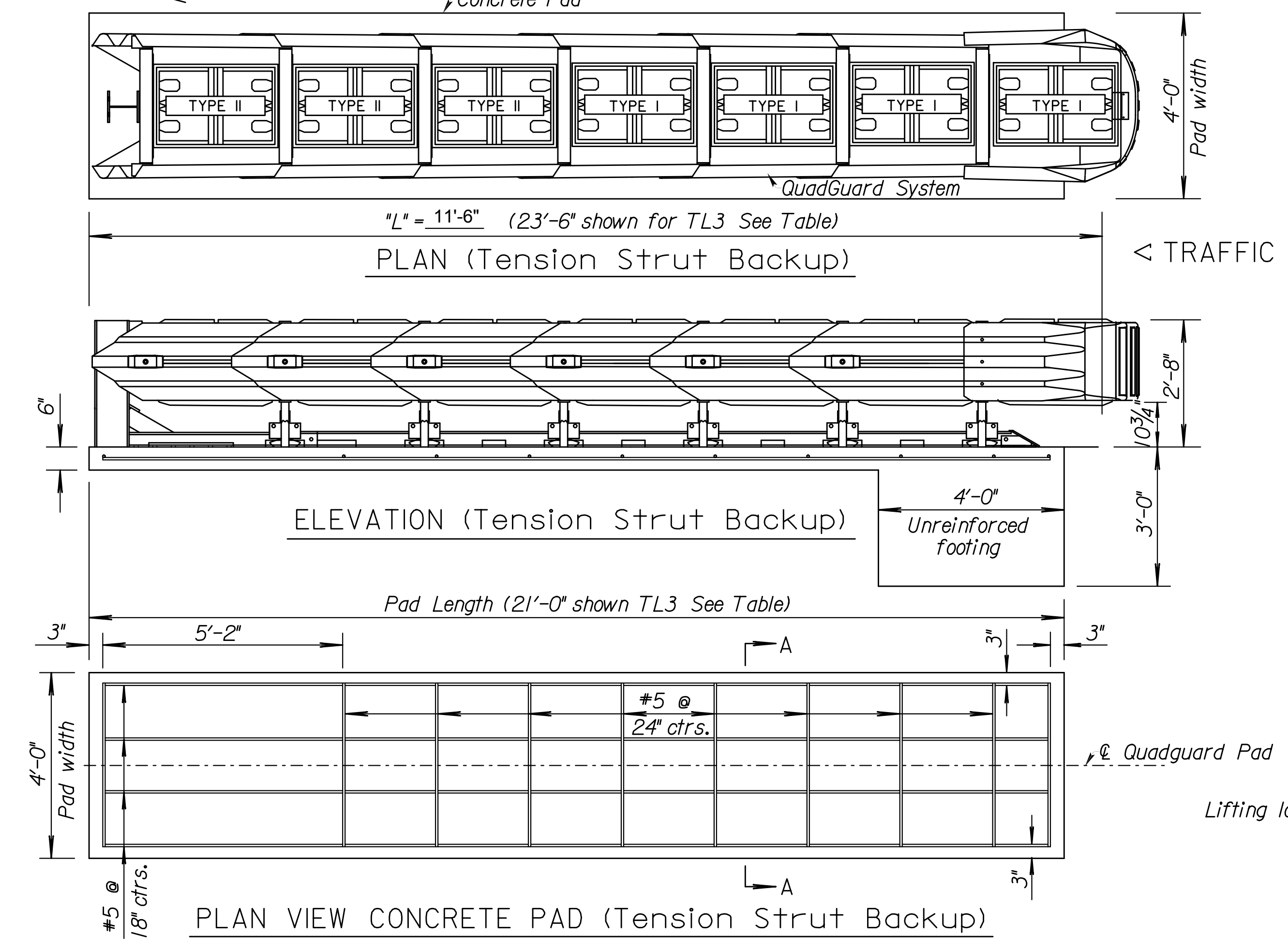
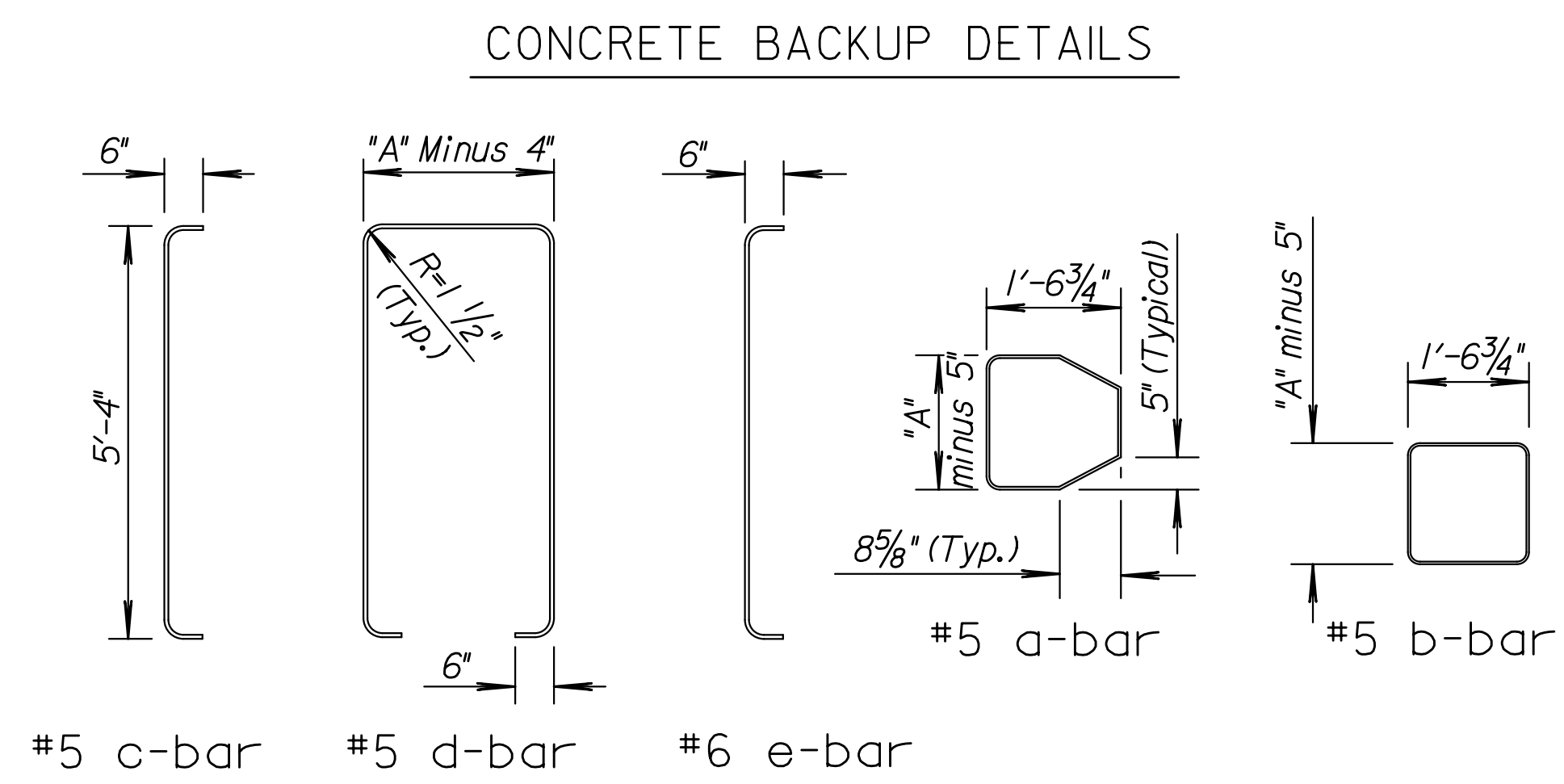
Note to the Designer: The designer shall be responsible for designating dimensions "A" and "L" and the QuadGuard model number.



Aluminum Sign Blanks shall be ASTM B-209 (H), Alloy 6061-T6, 5154-H38, or 5052-H38. All holes shall be 3/8" in diameter.
 The 3/4" diameter yellow button delineator shall comply with the Standard Specifications.
 The type of adhesive used for reflective sheeting shall be heat activated or pressure sensitive.
 Sign face shall be covered with regular performance reflective sheeting.



Note: Cross slope of pad shall not exceed 8% and not vary more than 2% from front to back. Pad and Backup Block should be tied together poured monolithically. Concrete for pad and backup block shall have a minimum compressive strength of 4,000 psi.



NO.	DATE	REVISIONS	BY	APP'D
I	5-20-09	Redrawn, (TL2/TL3) CZ Temporary	S.W.K.	J.O.B.

KANSAS DEPARTMENT OF TRANSPORTATION
IMPACT ATTENUATOR (QUADGUARD TL2/TL3) (QUADGUARD CZ TL2/TL3 Temp.)
 RD626

DESIGNED	6-30-09	APP'D. James O. Brewer	TRACED	Bowser
DESIGN CK.	DETAIL CK.	QUAN. CK.	TRACE CK.	King

Plotted : 07-JUL-2009 09:00
 Drawn By : beir
 File : rd626.dgn (rd626)