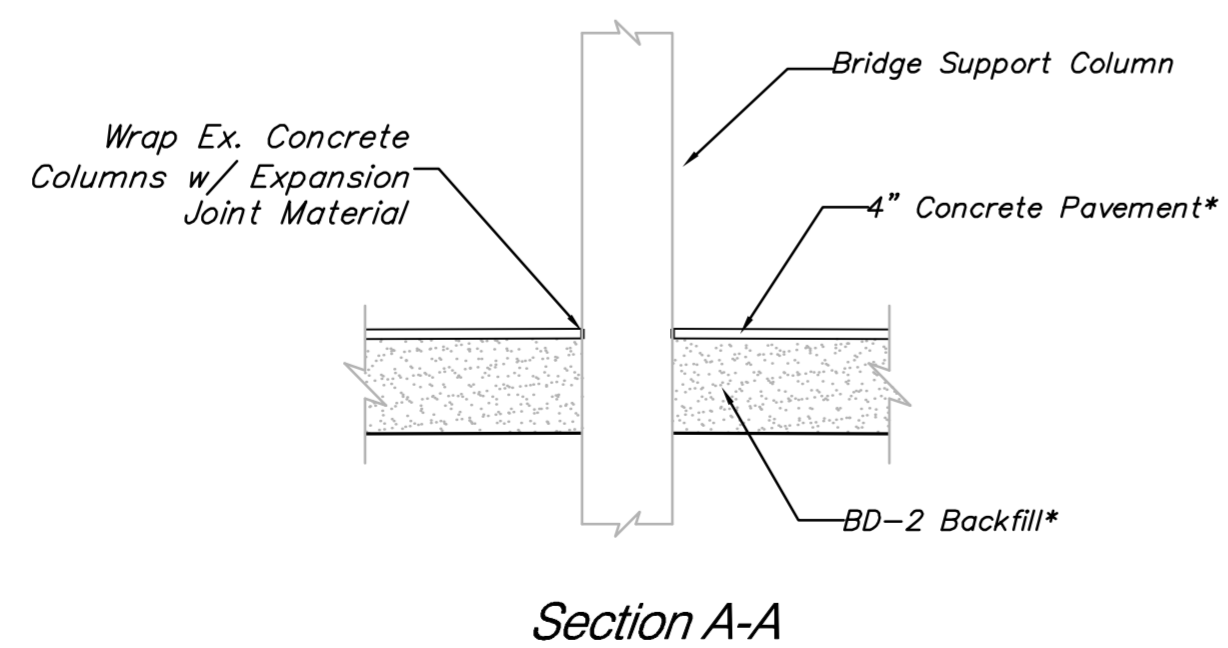
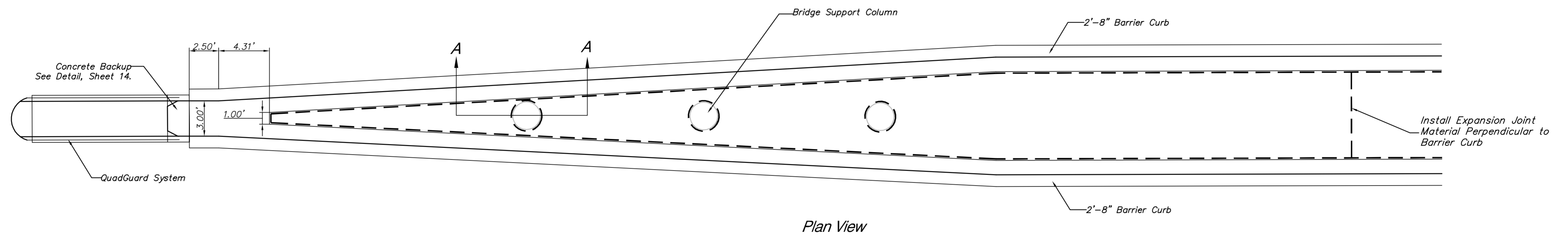


Anchor Quadguard System to the 9" NRDJ Concrete Pavement. The Center 4' of Pavement Panel shall be screeded flat.



BARRIER CURB MEDIAN QUANTITIES*		
ITEM	QUANTITY TOTAL	UNIT
CONCRETE PAVEMENT (4")	88	Sq. Yds.
BD-2 BACKFILL	77	Cu. Yds.
FOR INFORMATION ONLY. Cost of 4" Concrete & Sand Backfill to be <u>SUBSIDIARY</u> to the construction of the 2'-8" Barrier Curb in the Median.		

REVISED 11-30-05

Drawing File: E:\eng\Meridian\47th to 31st\Details\Column Protection.dwg
 Design: TPV
 Drawn: STAFF
 Approved: TPV
 Scale: None

Project No. 0510E396 CAPITAL IMPROVEMENT PROJECT
COLUMN PROTECTION DETAILS
 MERIDIAN AVENUE - 47TH STREET SOUTH to 31ST STREET SOUTH

Baughman Company, P.A.
 315 Ellis St., Wichita, KS 67211 P 316-262-7171 F 316-262-0149
 ENGINEERING | SURVEYING | PLANNING | LANDSCAPE ARCHITECTURE

September 2009
 SHEET
16
 OF
187