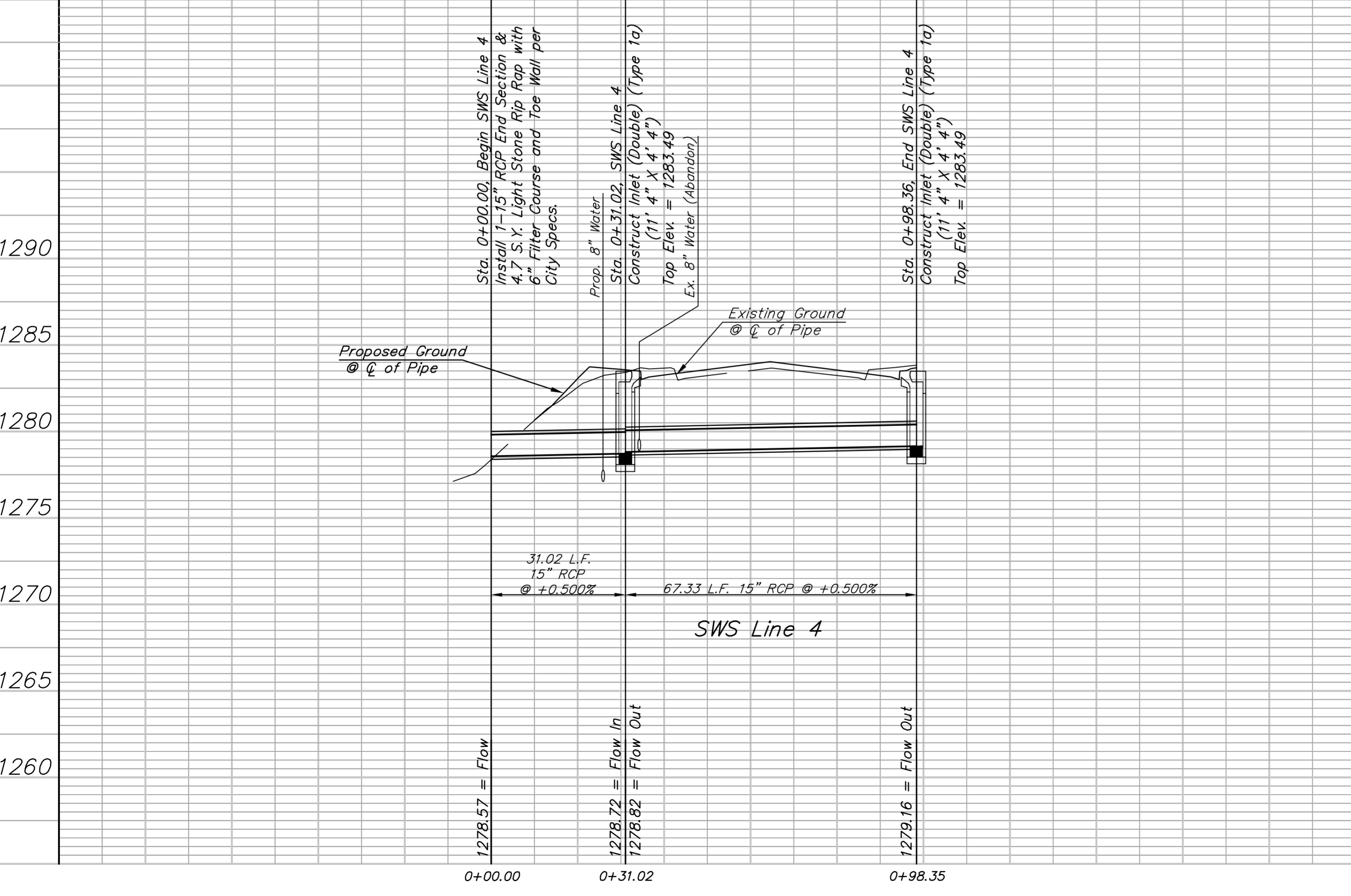
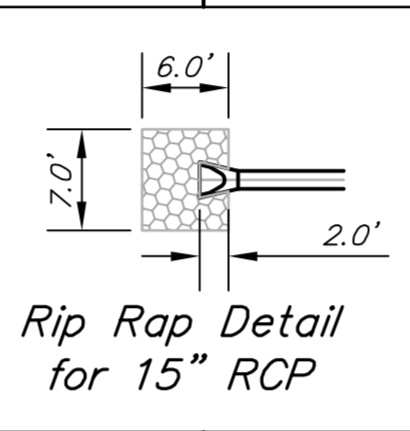
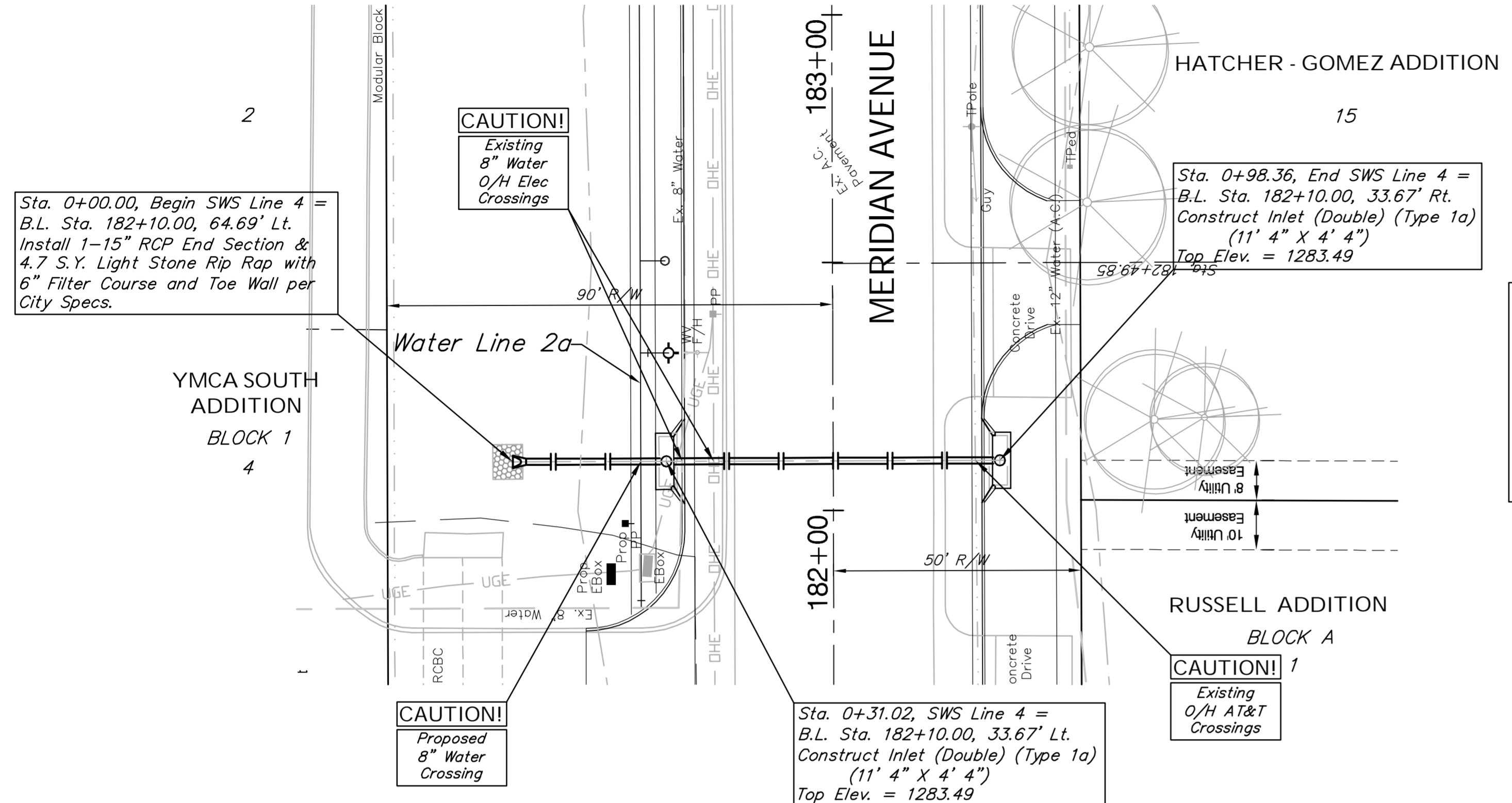


BENCHMARK:  
 BM #14 - "C" Chiseled in the Top of the North Curb Return of the Second Concrete Entrance North of Interstate 235 on the West Side of Meridian  
 Sta. 184+57, 47' Lt.  
 Elev. = 1282.75 MSL

SCALE:  
 HORIZONTAL: 1" = 20'  
 VERTICAL: 1" = 5'



BENCHMARK:  
 BM #14 - "C" Chiseled in the Top of the North Curb Return of the Second Concrete Entrance North of Interstate 235 on the West Side of Meridian  
 Sta. 184+57, 47' Lt.  
 Elev. = 1282.75 MSL

SCALE:  
 HORIZONTAL: 1" = 20'  
 VERTICAL: 1" = 5'

