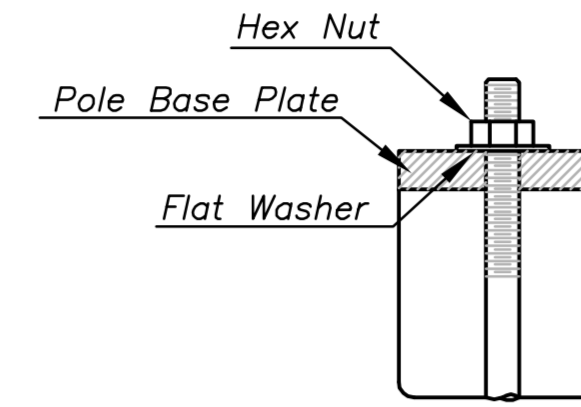
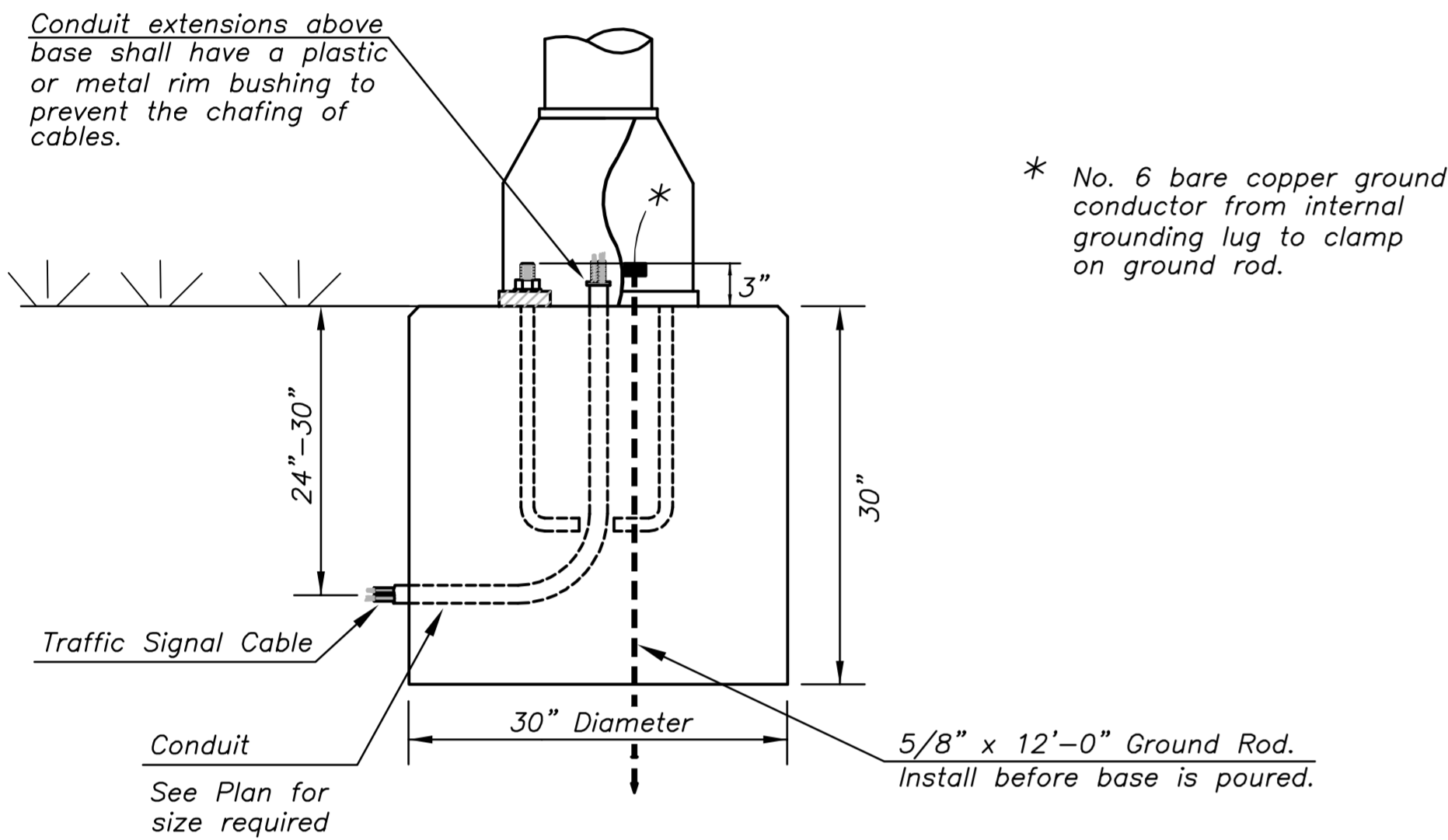


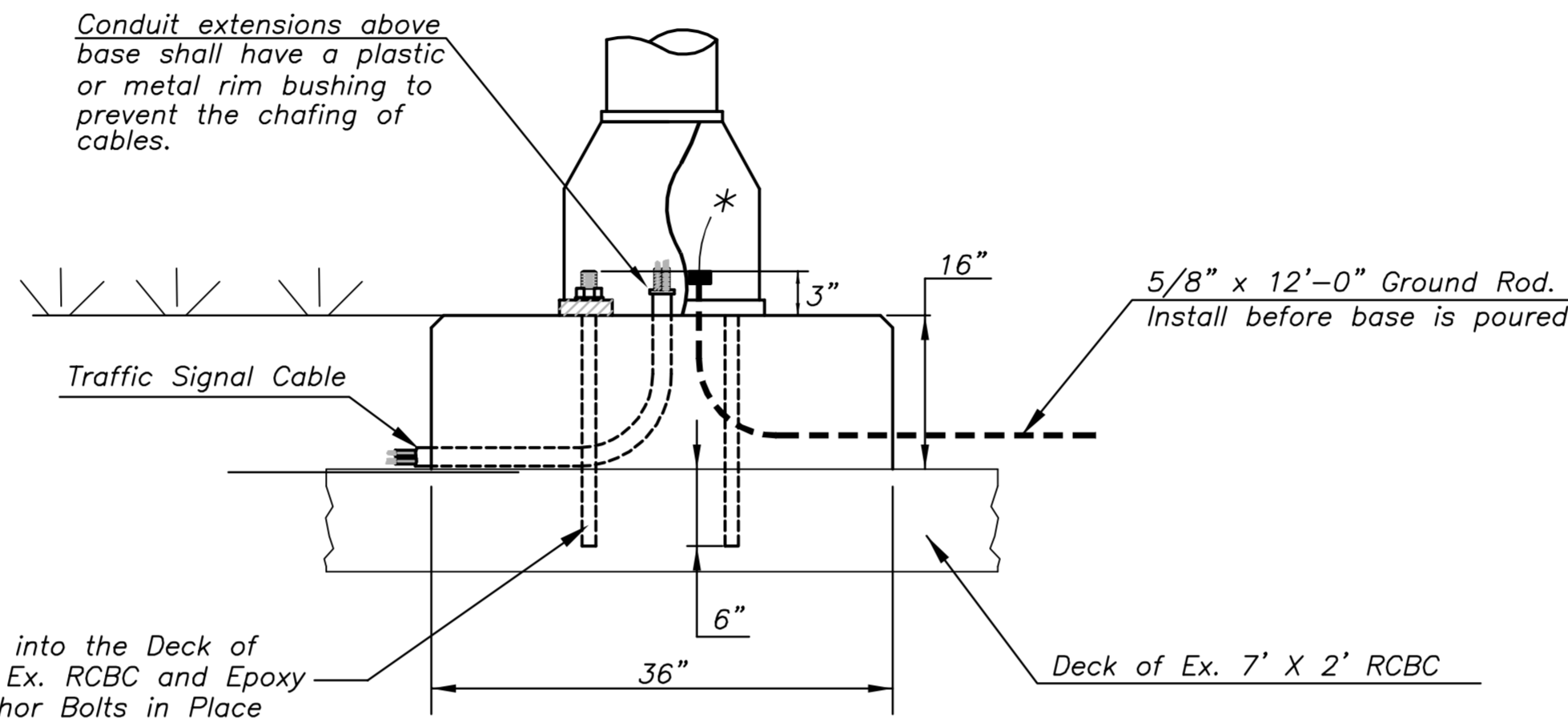
Use Keystone "No-Weld Number 1 Anti-Seize Compound" on all bolts & nuts.



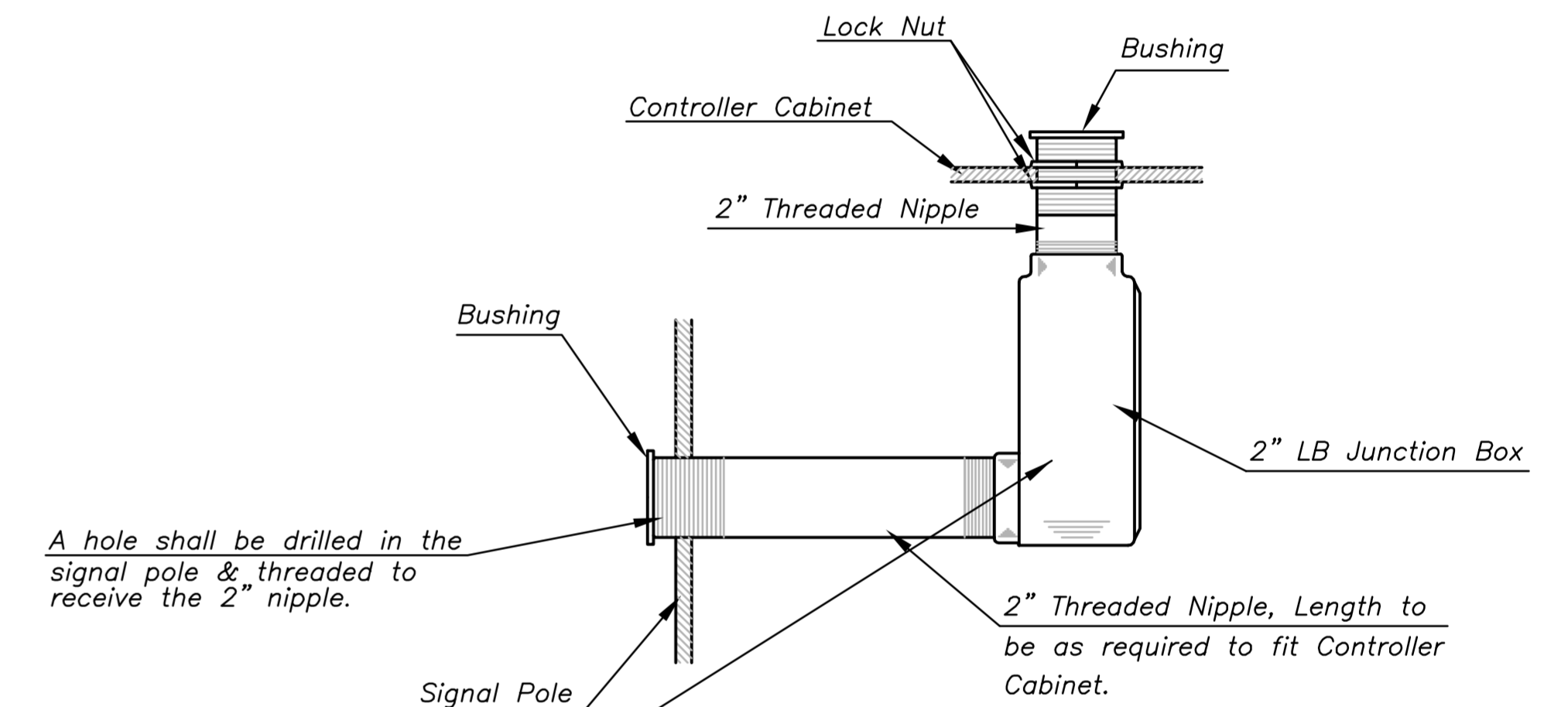
**ANCHOR BOLT  
DETAIL**



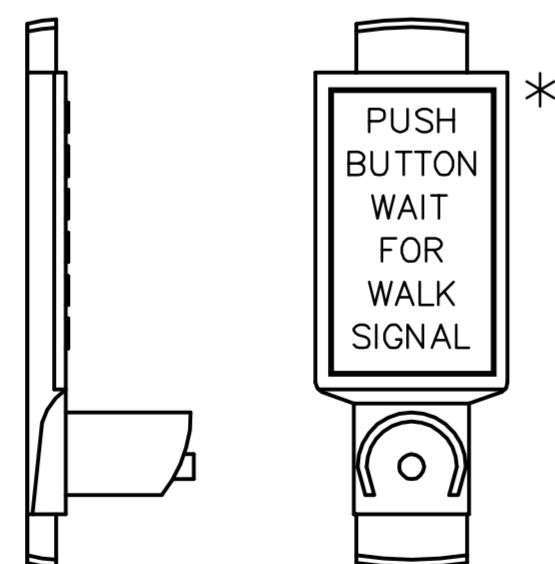
**STANDARD CONCRETE BASE DETAIL**



**SPECIAL CONCRETE BASE DETAIL**

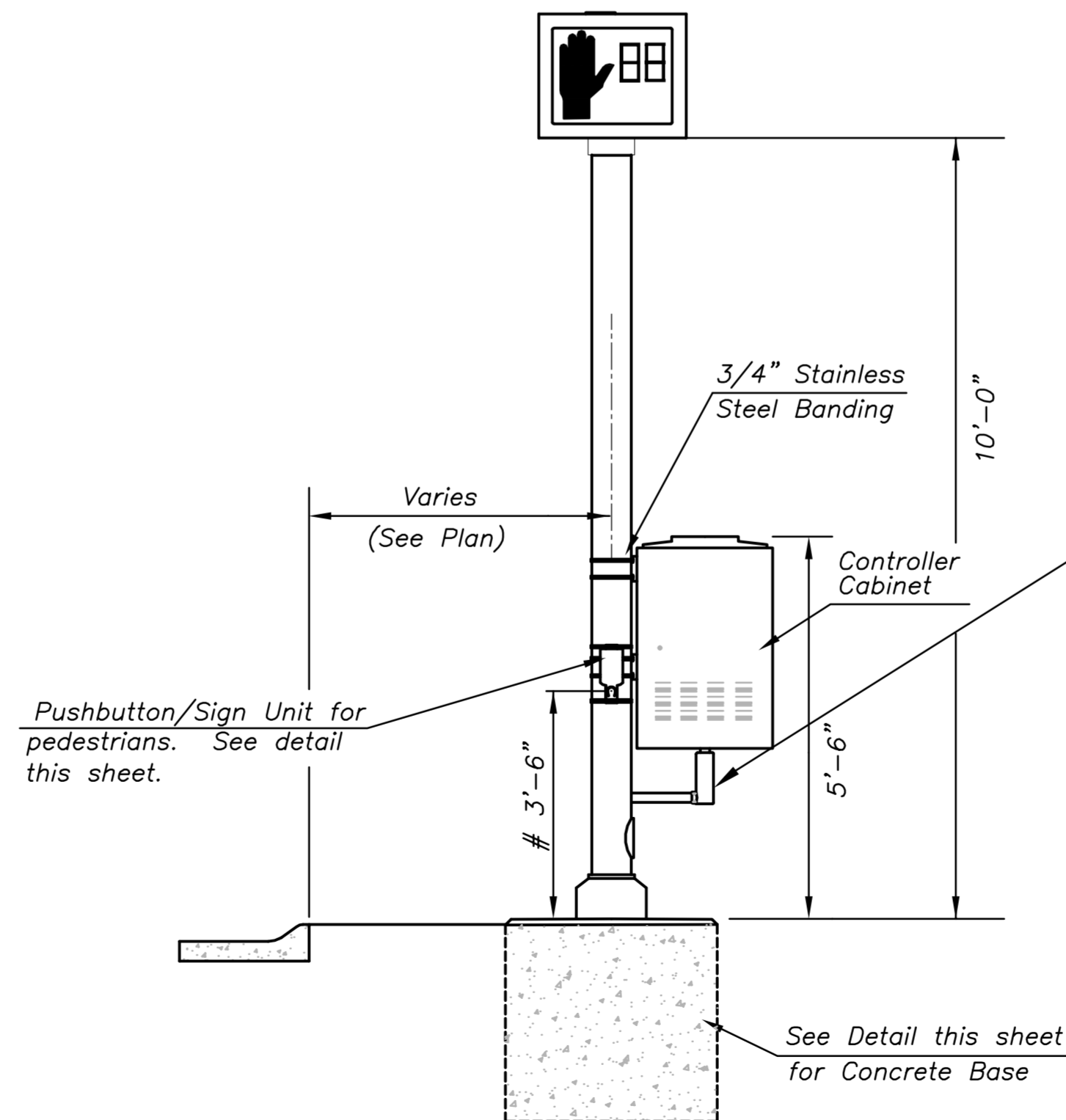


\* NOTE: MESSAGE TO BE CAST WITH HOUSING (ONE PIECE)



INSTALL PEDESTRIAN PUSHBUTTON UNDERNEATH CORRESPONDING PEDESTRIAN SIGNAL HEAD ON SIDE OF POLE NEAREST CROSSWALK. UNIT SHALL BE FIRMLY ATTACHED TO THE SIDE OF POLE WITH 3/4" STEEL BANDS. SHARP ENDS SHALL BE FOLDED UNDER TO PREVENT INJURY TO PEDESTRIANS.

**PEDESTRIAN PUSHBUTTON/SIGN  
UNIT DETAIL**



**TRAFFIC SIGNAL PEDESTAL**

Drawing File: E:\eng\Meridian\47th to 31st\Traffic\Sig Pole Details.dwg

Design: CoW  
 Drawn: CoW  
 Approved: TPV  
 Scale: NOTED

Project No. 0510E396 CAPITAL IMPROVEMENT PROJECT

**Pedestrian Signal Pole Detail**

MERIDIAN AVENUE - 47TH STREET SOUTH to 31ST STREET SOUTH

**Baughman Company, P.A.**  
 315 Ellis St. Wichita, KS 67211 P 316.262.7271 F 316.262.0149  
 ENGINEERING | SURVEYING | PLANNING | LANDSCAPE ARCHITECTURE

September 2009

SHEET  
 OF  
 112  
 187