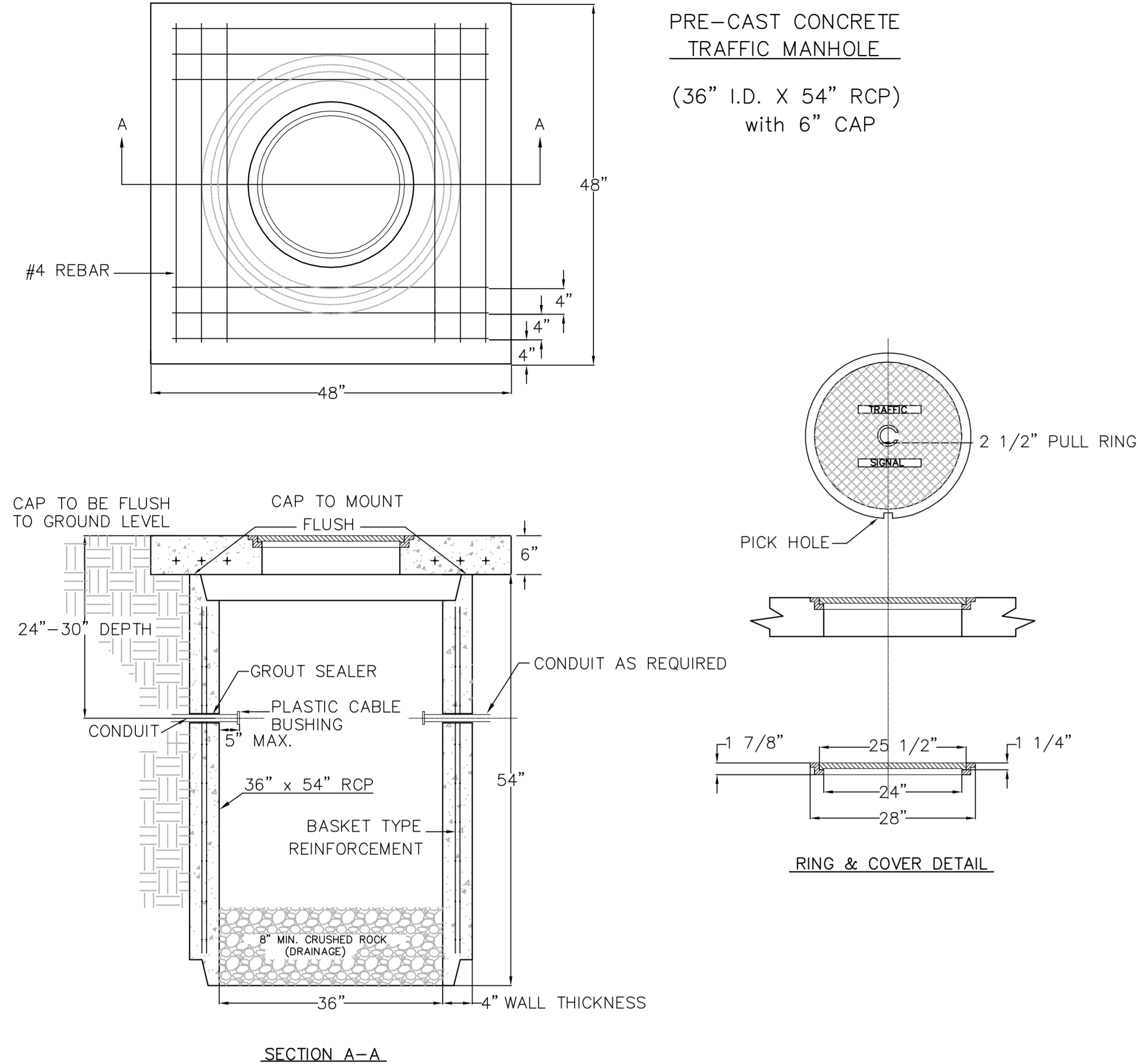
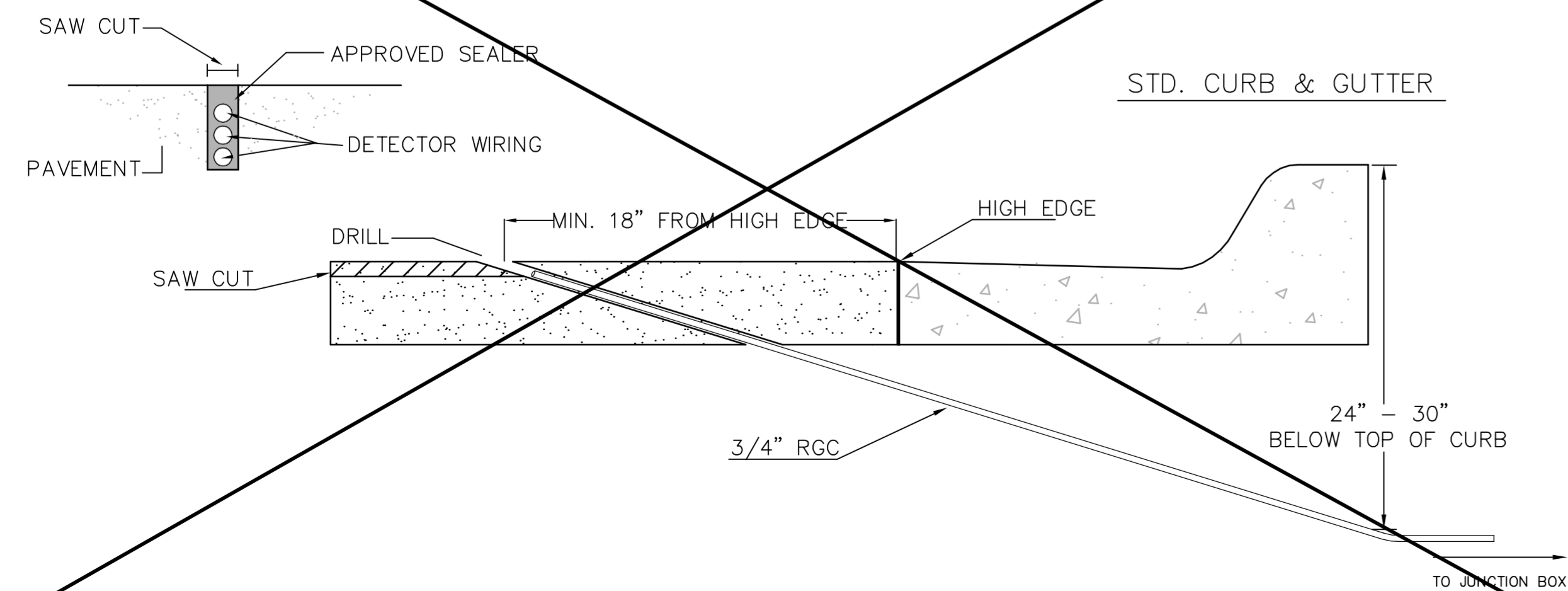


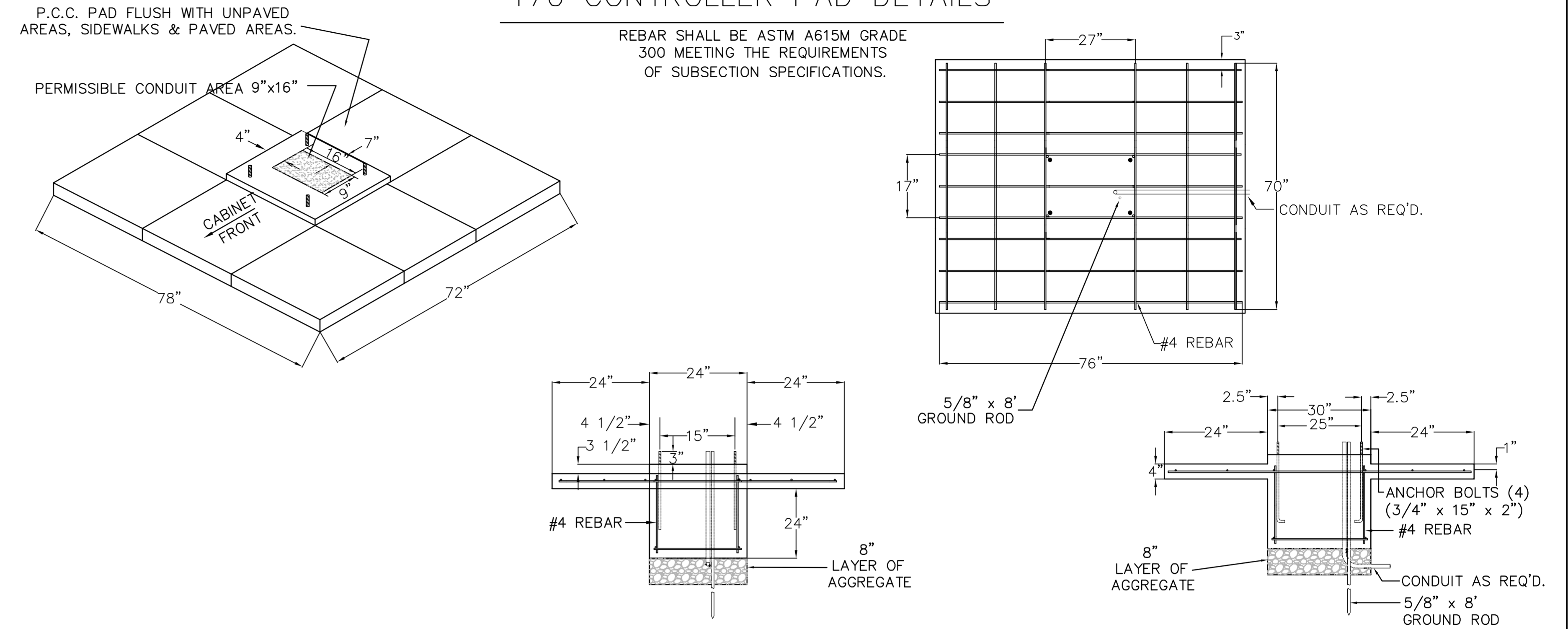
TRAFFIC MANHOLE CONSTRUCTION/INSTALLATION DETAILS



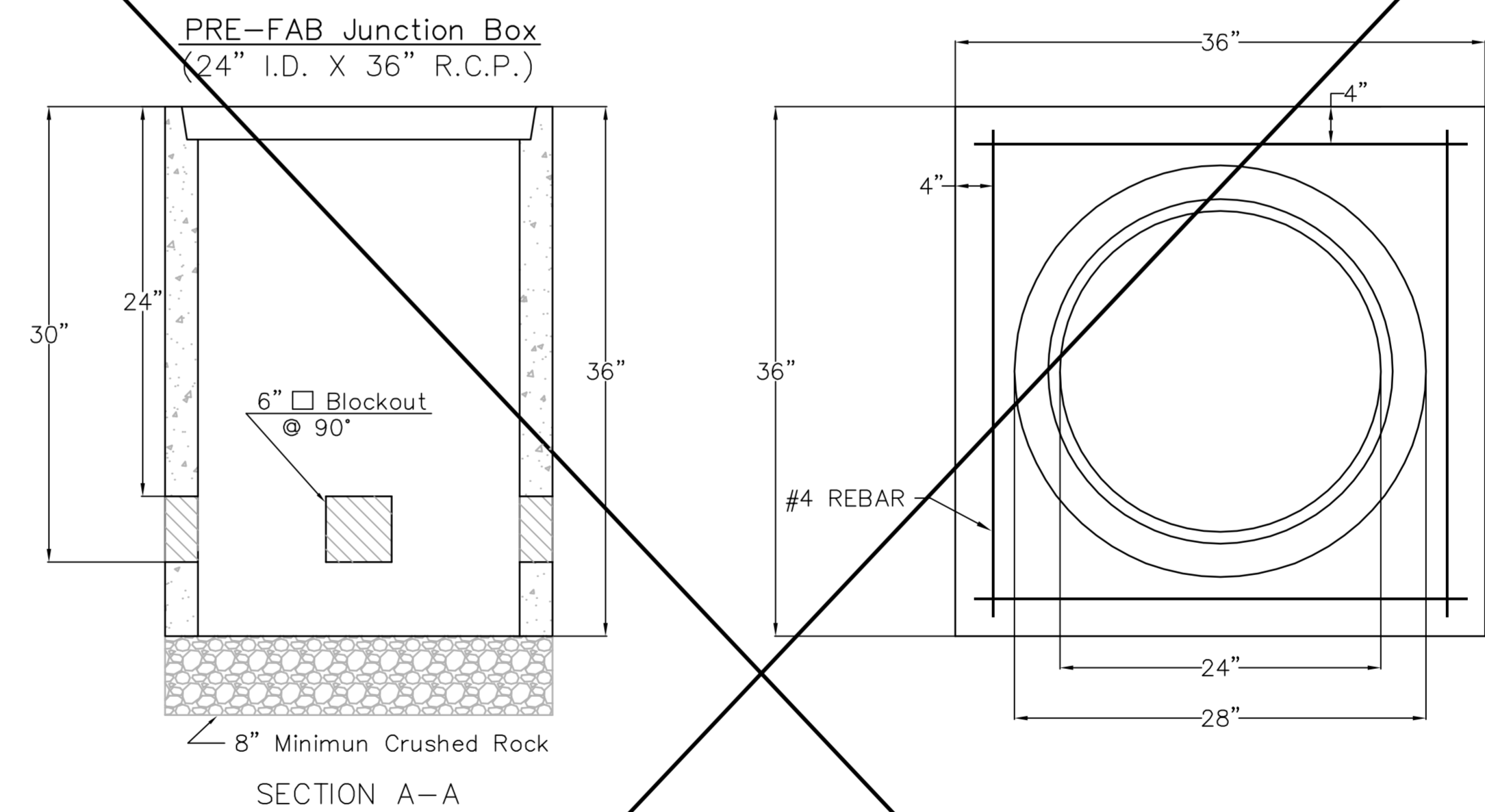
CONDUIT/DETECTOR WIRE INSTALLATION DETAILS



170 CONTROLLER PAD DETAILS



JUNCTION BOX DETAILS



NOTES:

- TRAFFIC MANHOLE & JUNCTION BOX:
- CONDUIT CONNECTION TO BE FLUSH TO WITHIN 5" OF INSIDE FACE OF SIDE WALL, CONDUIT TO DRAIN INTO SERVICE BOX.
 - CONDUIT CONNECTIONS TO TRAFFIC MANHOLES SHALL BE TERMINATED WITH PLASTIC CABLE BUSHING.
 - CONDUIT SHALL BE SEALED WITH APPROVED SEALER AT INSIDE WALL FACE.
 - ALL TRAFFIC MANHOLES & JUNCTION BOXES TO HAVE 8" OF CRUSHED ROCK.
- TRENCHING:
- DEPTH TO BE 30" MINIMUM WITH ROCK & STUBBLE FREE BACKFILL TO SERVE AS BEDDING MATERIAL. MAINTAIN MINIMUM CONDUIT DEPTH IN TRENCH.
 - BACKFILL TO BE COMPACTED IN 6" LOOSE LIFTS BY HAND OR MECHANICAL TAMPING TO A 95% STANDARD DENSITY.

- CONDUIT:
- SLOPE CONDUIT TO DRAIN AS DIRECTED BY THE ENGINEER.
 - 3" RIGID STEEL CONDUIT BTWN. SERVICE BOXES.
1 1/4" " " " BTWN. SERVICE & JUNCTION BOXES.
3/4" " " " BTWN. JUNCTION BOXES.
3/4" " " " BTWN. JUNCTION BOX & DETECTOR LOOP SAW CUT

** SEE SERVICE BOX INSTALLATION FOR RING & COVER DETAILS.

	MERIDIAN AVENUE - 47TH TO 31ST SERVICE/JUNCTION BOX, CONTROLLER PAD CONSTRUCTION/INSTALLATION DETAILS		
	PROJECT NUMBER 472-84302		
	DRAWN BY: T.M. DATE: Apr. 96	APPROVED BY: DATE: Jan. 2006	REVISED: A.S. DATE: Jan. 2006
	CITY OF WICHITA DEPARTMENT OF PUBLIC WORKS		
TRAFFIC ENGINEERING DIVISION PAUL D. GUNZELMAN P.E.	TRAFFIC ENGINEER	SCALE NO SCALE	