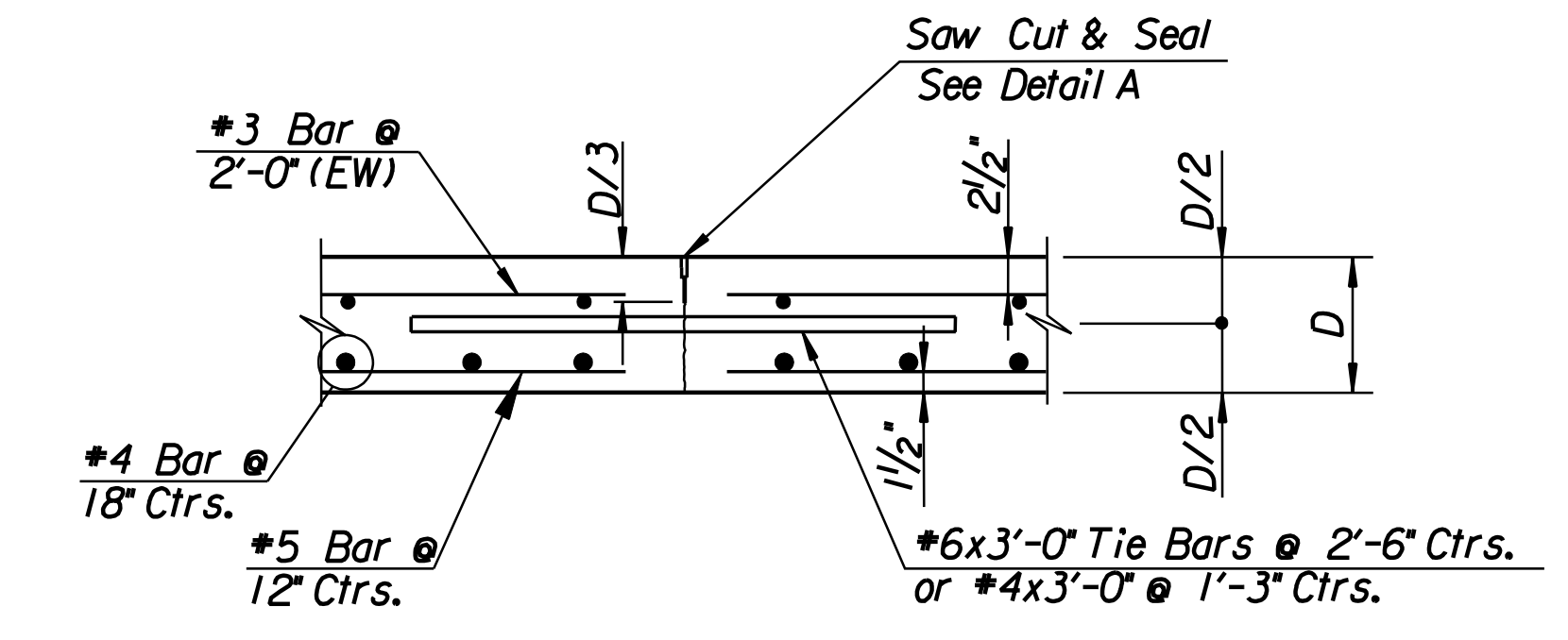


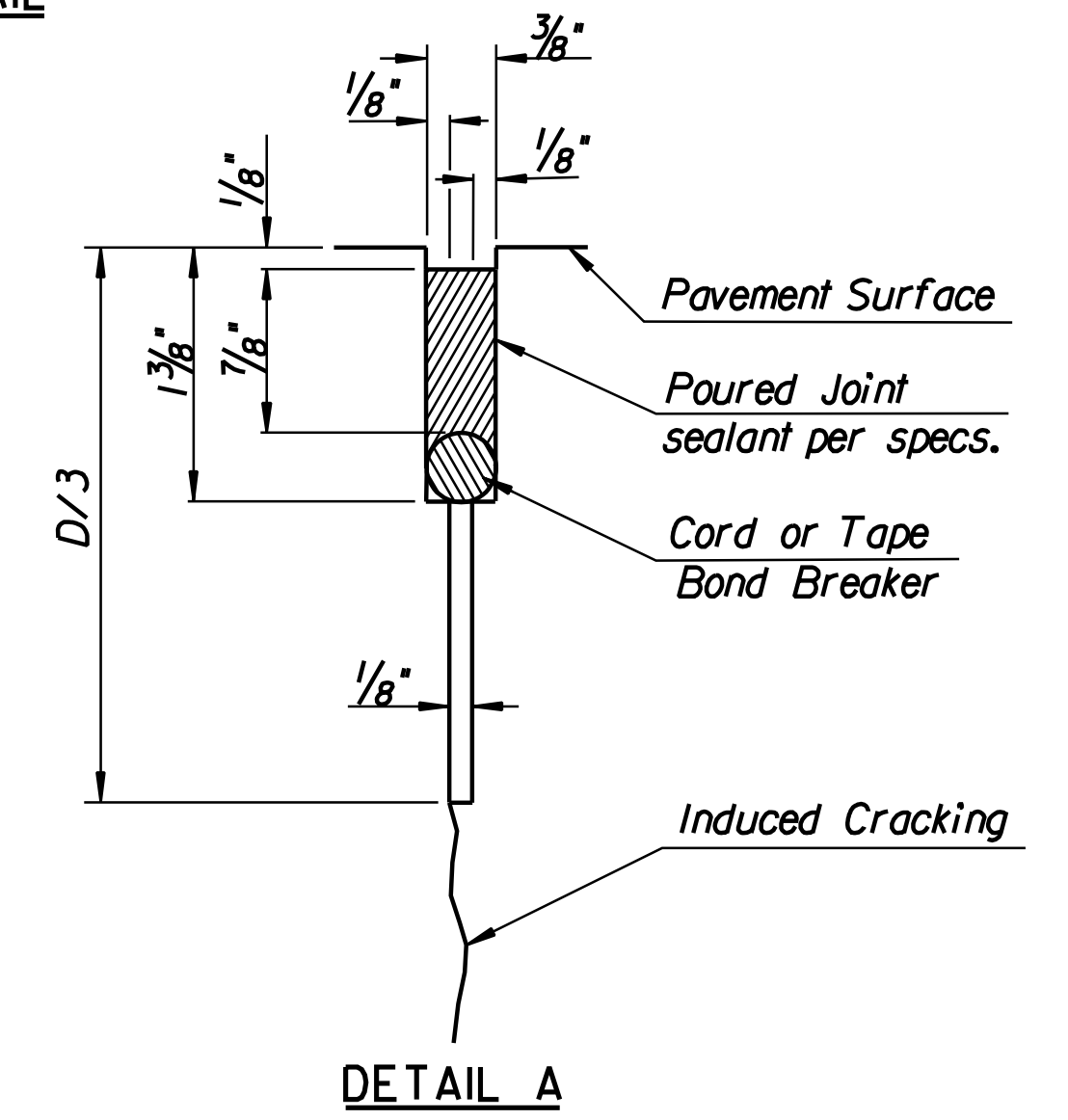
TIED KEYED CONSTRUCTION JOINT TIED NON-KEYED CONSTRUCTION JOINT

TRANSVERSE CONSTRUCTION JOINT DETAIL REINFORCED PAVEMENT (T.J.)

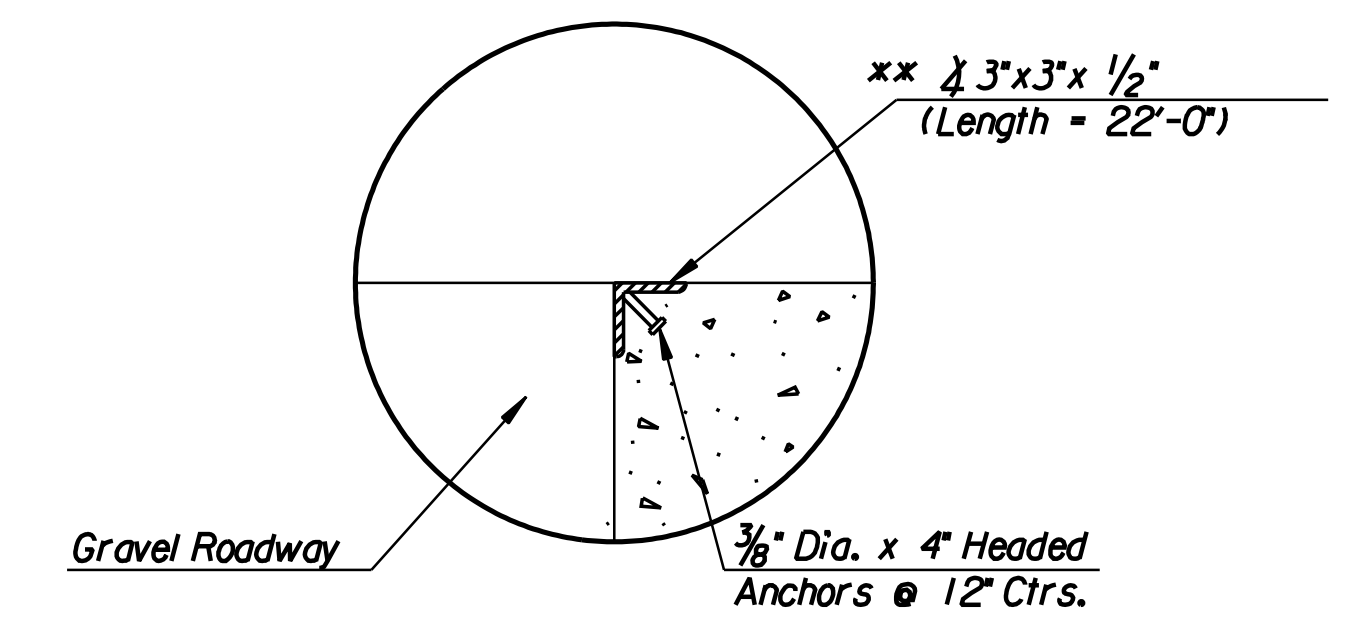


LONGITUDINAL JOINT DETAIL REINFORCED PAVEMENT (L.J.)

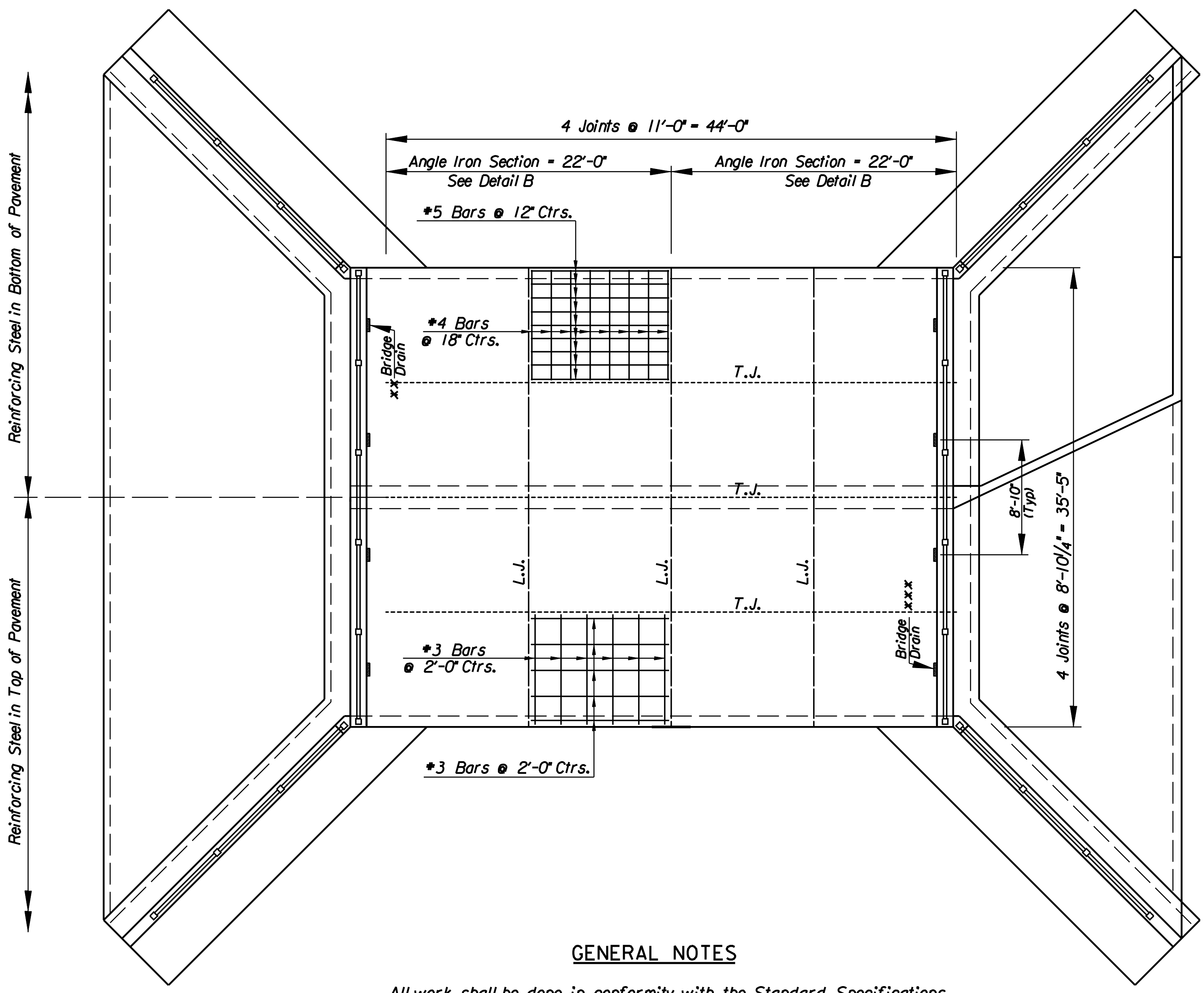
Note: Pavement slab reinforcing steel to have 2" end clearance.



DETAIL A



DETAIL B
(Typical for both ends of the pavement.)



GENERAL NOTES

All work shall be done in conformity with the Standard Specifications applicable to the project.

The cost of all bars, mesh, angle iron and joint material shown on this sheet is to be included in the bid price for Concrete Pavement.

At each planned transverse joint location, a 4" to 6" wide strip of the pavement surface shall be protected from the texturing operation to provide a transverse textureless surface centered over the joint sawcut.

All joints on this project shall be sawed and filled with sealant in accordance with Standard Specifications.

Depth of pavement "D" varies from 8" at hubguard to 13 1/2" at the ϵ of the roadway.

BILL OF MATERIALS		
ITEM	QUANTITY	UNIT
Variable Concrete Pavement	51.7	C.Y.
* Reinforcing Steel (Epoxy)	3013	Lbs.
** Angle Iron (3"x3"x1/2")	88	L.F.
*** Joint Filler Material	239	L.F.

* Includes #6 tie bar option.
 ** Galvanized in accordance with ASTM A123.
 *** Bridge Drains TS 4"x8"x1/4" (See sht. no. 5 for additional details)

Plotted By: rjm Plotted: 11/9/2009
 File: i:\2009\09430\Office Check\09430-Jointing.dgn

No.	Revisions	By	Date
CITY OF WICHITA Br. No. 430400870000271 S+G. I+84.05			
JOINTING AND PAVEMENT REINFORCING DETAILS			
EAST FORK CHISHOLM CREEK-TRIB. NO. 5 BRIDGE PROJECT NO. 472 84834 SEDGWICK COUNTY			
Professional Engineering Consultants, P.A. 303 S. TOPEKA • WICHITA, KANSAS 67202 316-262-2691 • FAX 316-262-3003			
Designed by	R.J.M	Checked by	R.A.S.
Drawn by	R.J.M	Date	Oct. 2009 Job No. 09430