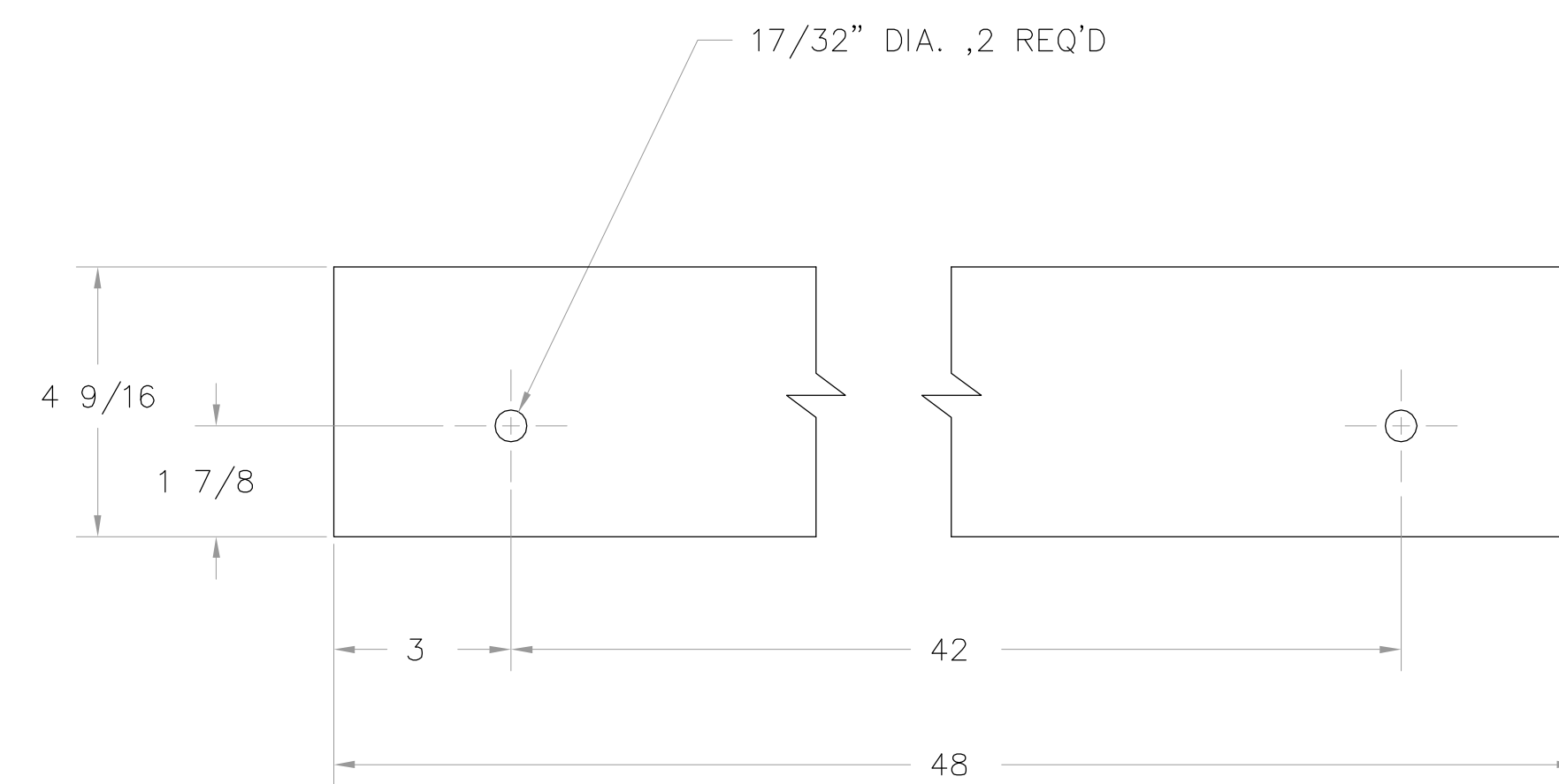
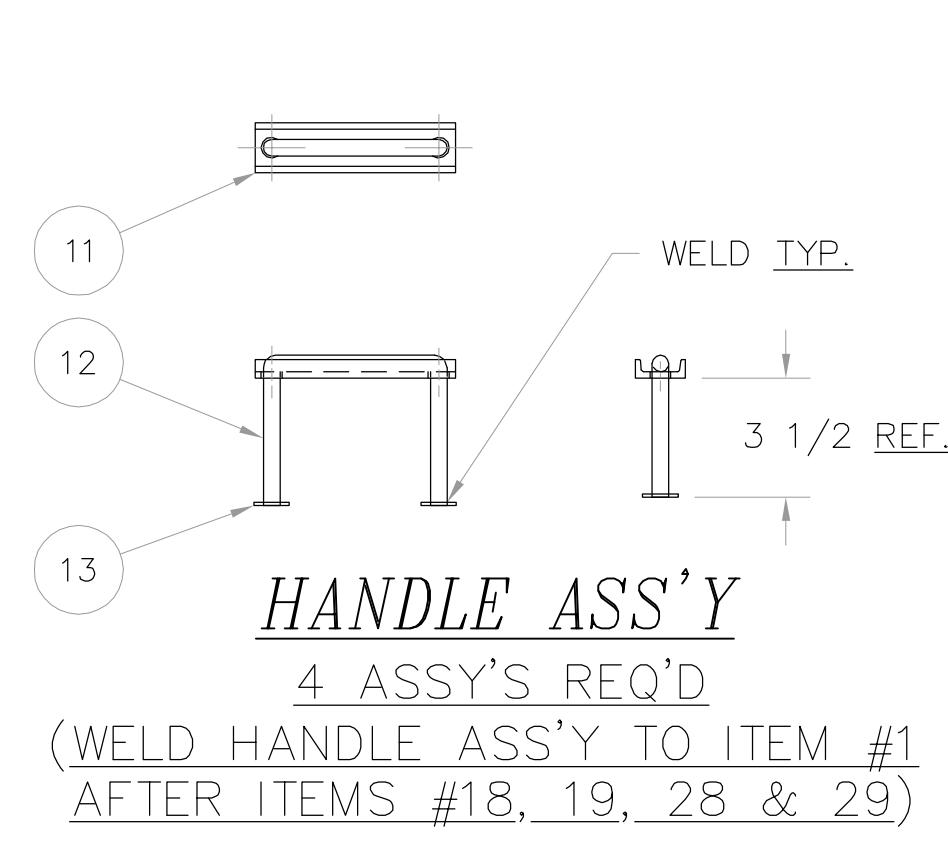
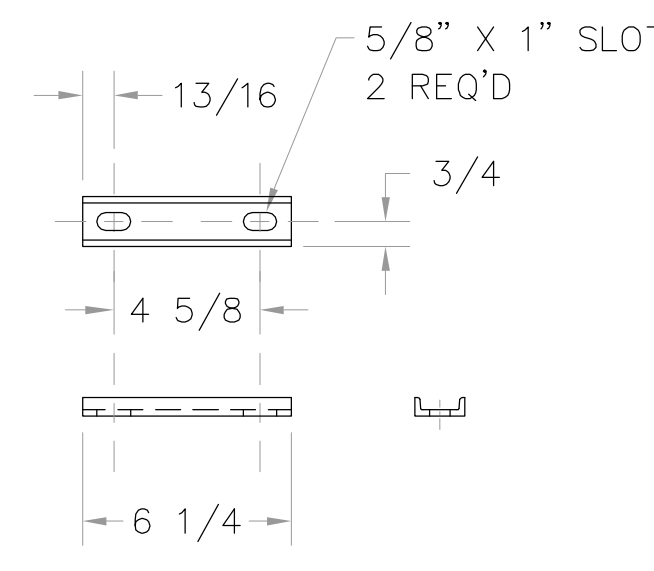


FHWA REGION NO.	STATE	PROJECT NO.	FISCAL YEAR	SHEET NO.	TOTAL SHEETS
7	KANSAS	87N-0503-01	2009	8	97

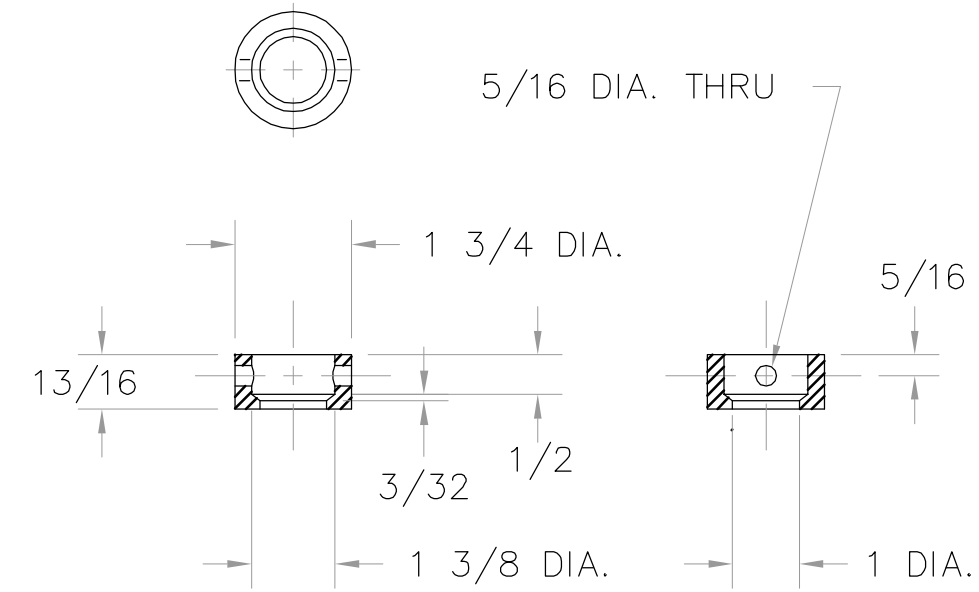
FEDERAL Project No. ARRA-N050(301)



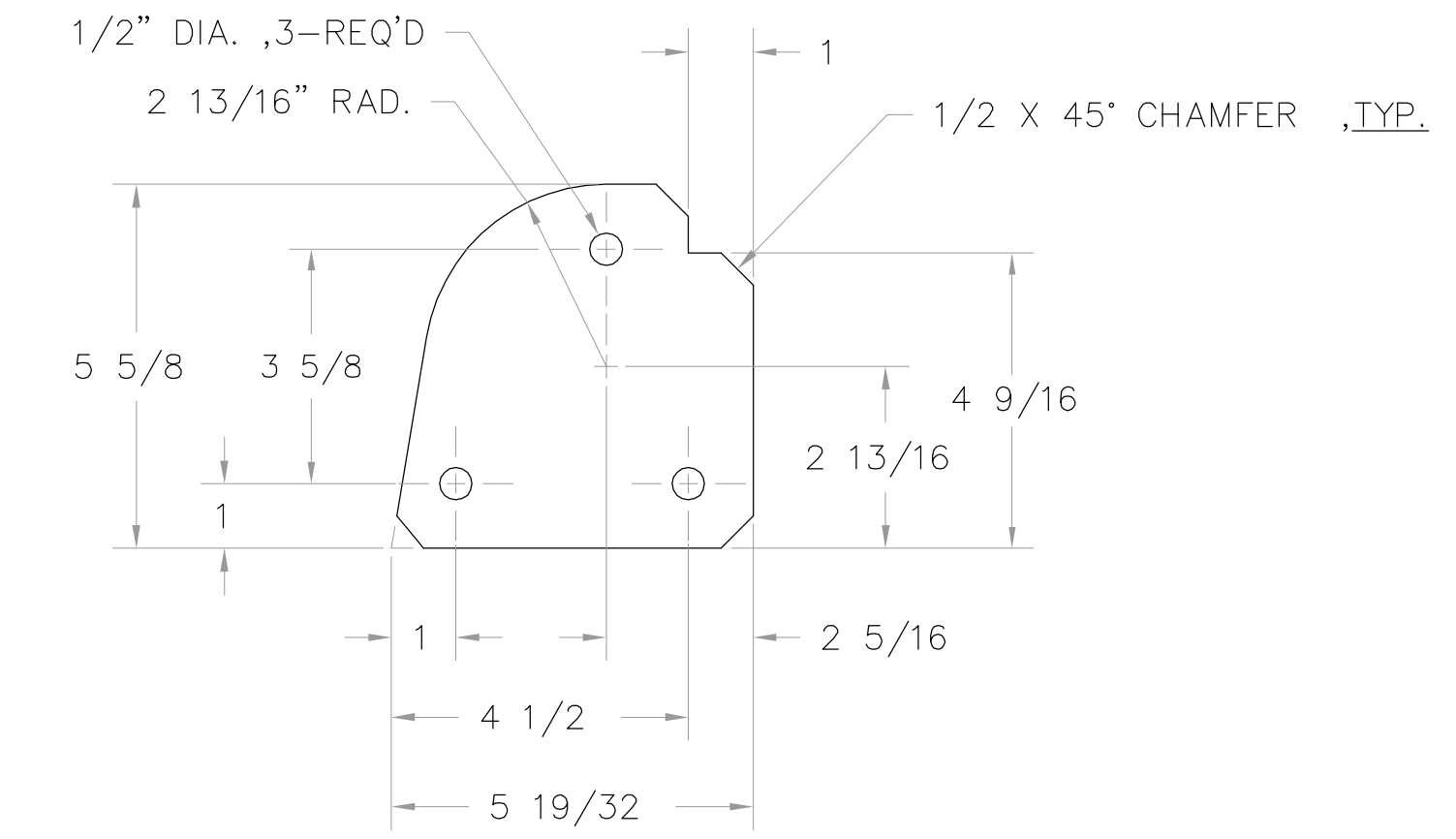
ITEM	REQ.	DESCRIPTION
11	4	1 1/2" X 9/16" X 3/16" BAR CHANNEL X 6 1/4"
12	4	1/2" DIA. H.R. ROUND X 14"
13	8	1/2" FLAT WASHER
18	2	1 3/4" O.D. X 1" I.D. X 1" C.D.RD. TUBING
19	2	7 GA. X 2" X 7 13/16" HOT ROLLED FLAT
21	1	7 GA. X 5 5/8" X 48" HOT ROLLED SHEET
22	1	7 GA. X 4 9/16" X 48" HOT ROLLED SHEET
23	1	7 GA. X 8 3/4" X 48" HOT ROLLED SHEET
24	1	1" X 1" X 3/16" X 48" ANGLE
25	4	7 GA. X 5 5/8" X 5 5/8" H.R.S. (LASER #49 BLANK 12" X 36" MAKES 12)
26	2	1/2" UNC HEX NUT



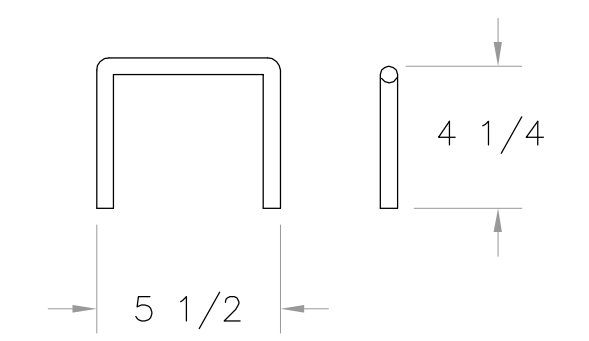
11 4 PCS. REQ'D
3/16"=1" SCALE



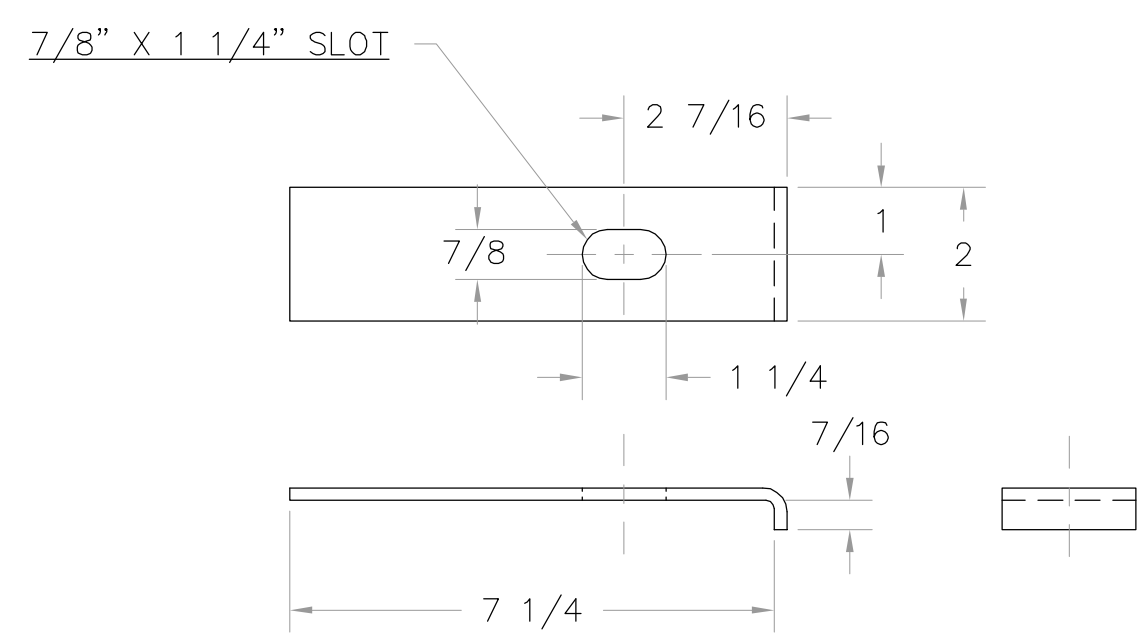
18 2 PCS. REQ'D
3/8"=1" SCALE



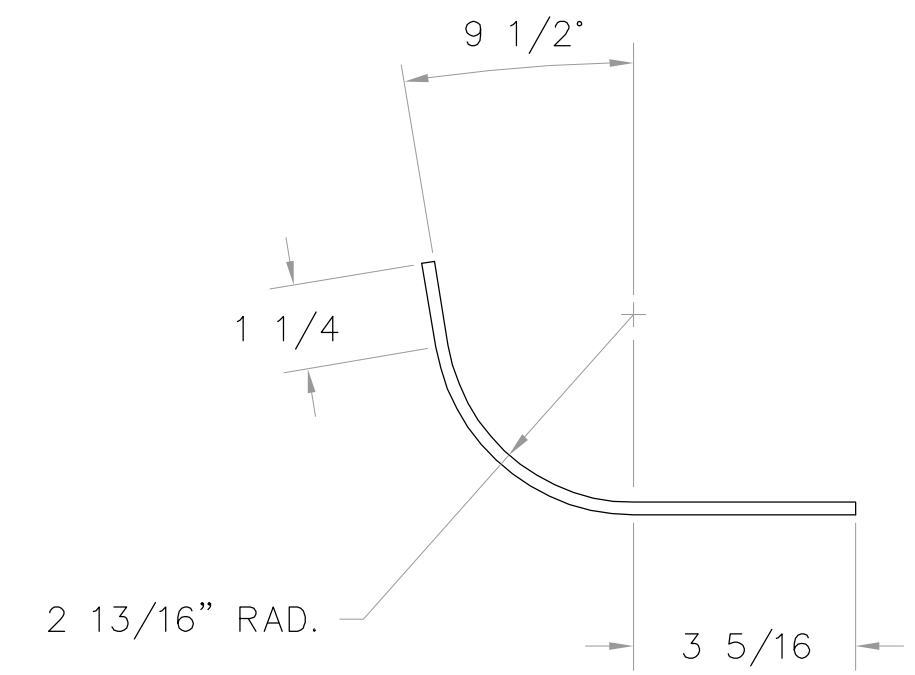
25 4 PCS. REQ'D



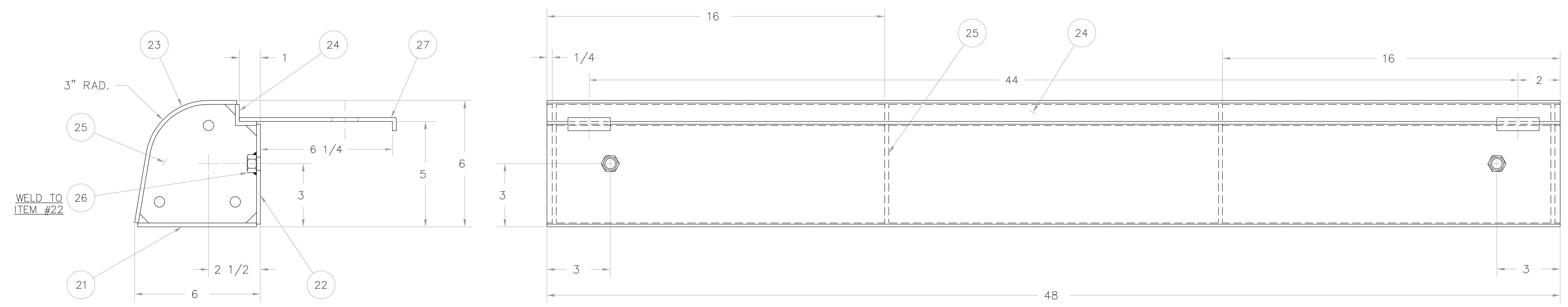
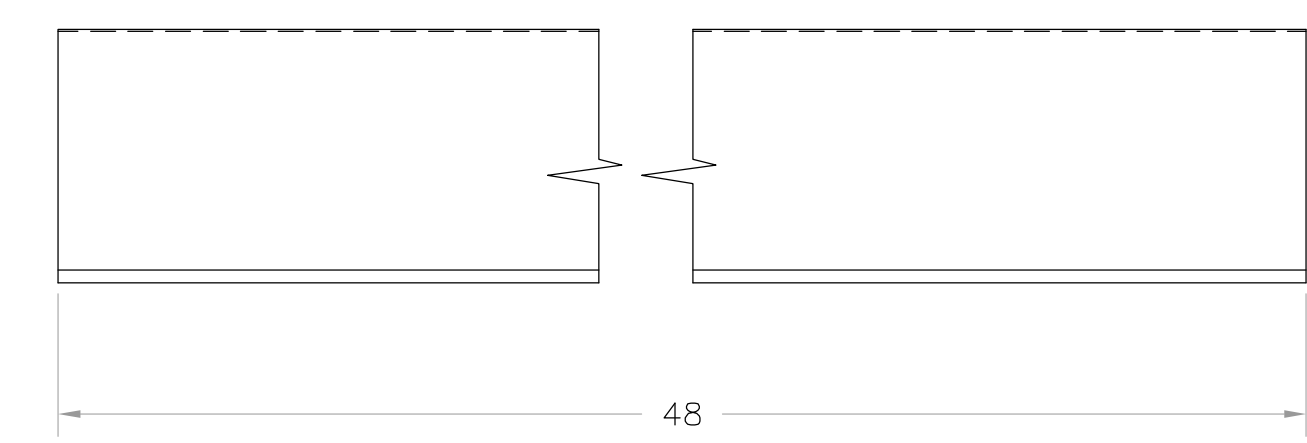
12 4 PCS. REQ'D
3/16"=1" SCALE



19 2 PCS. REQ'D



23 1 PC. REQ'D



CURB ASSEMBLY

6			
5			
4			
3			
2	CHANGED LASER 486, DETAIL DIMS	6/13/01	RLF
1	ADDED 1/4" TO ITEM 19	6/7/01	RLF
NO.	REVISION	DATE	BY

HC **HP** **HARTFORD CONCRETE PRODUCTS, INC.**
HARTFORD CITY, INDIANA

CURB ENTRANCE WITH TAB
HS-20 LOADING DESIGN

THIS PRINT CONTAINS INFORMATION WHICH IS THE PROPERTY OF HARTFORD CONCRETE PRODUCTS, INC. AND IS FURNISHED ONLY FOR INSTRUCTION. IT IS NOT TO BE USED FOR MANUFACTURING OR PROCUREMENT PURPOSES FROM OTHER THAN THE PROPRIETOR.

SCALE: 3/8"=1"	DRAWN BY: RLF	DRAWING NO. 08
DATE: 1/11/00	CHK'D:	9496