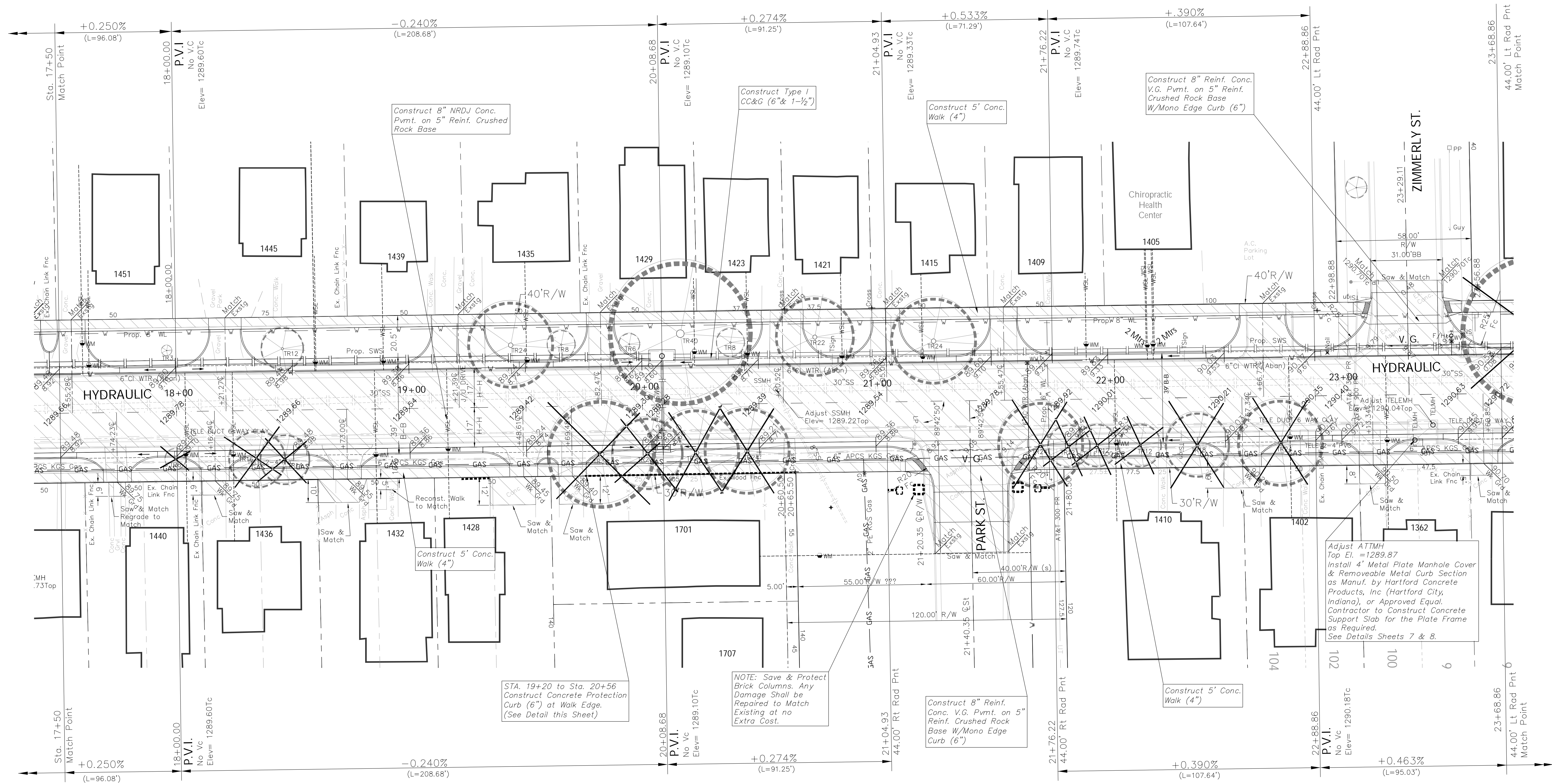
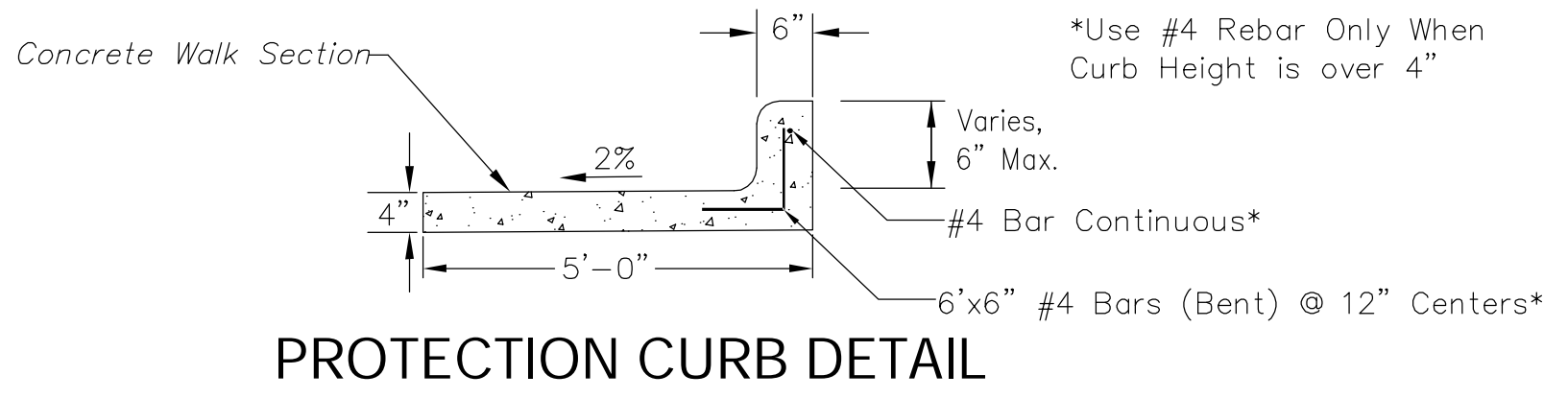
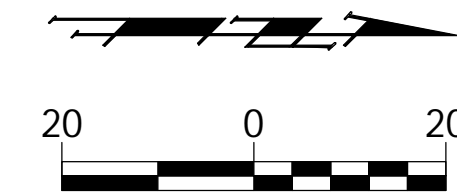


FHWA REGION NO.	STATE	PROJECT NO.	FISCAL YEAR	SHEET NO.	TOTAL SHEETS
7	KANSAS	87N-0503-01	2009	17	101

FEDERAL Project No. ARRA-N050(301)



Note: Trees/Shrubs to be removed are marked thus:

Note: Pavement, Sidewalks, and Etc. To Be Removed Are Indicated By:

Drawing File: E:\eng\Hydraulic\_Kellogg to Harry Pav\Land\dwg\ACADBase.dwg  
 Project No. 0710 E 968 CAPITAL IMPROVEMENT PROJECT  
 Design: KK  
 Drawn: Staff  
 Approved: JFB  
 Scale: NOTED

HYDRAULIC AVENUE from HARRY TO KELLOGG  
 STA 17+50 to STA 23+50

**Baughman Company, P.A.**  
 315 Ellis St. Wichita, KS 67211 P 316-262-7271 F 316-262-0149  
 ENGINEERING | SURVEYING | PLANNING | LANDSCAPE ARCHITECTURE

September 2009  
 SHEET 17 OF 101