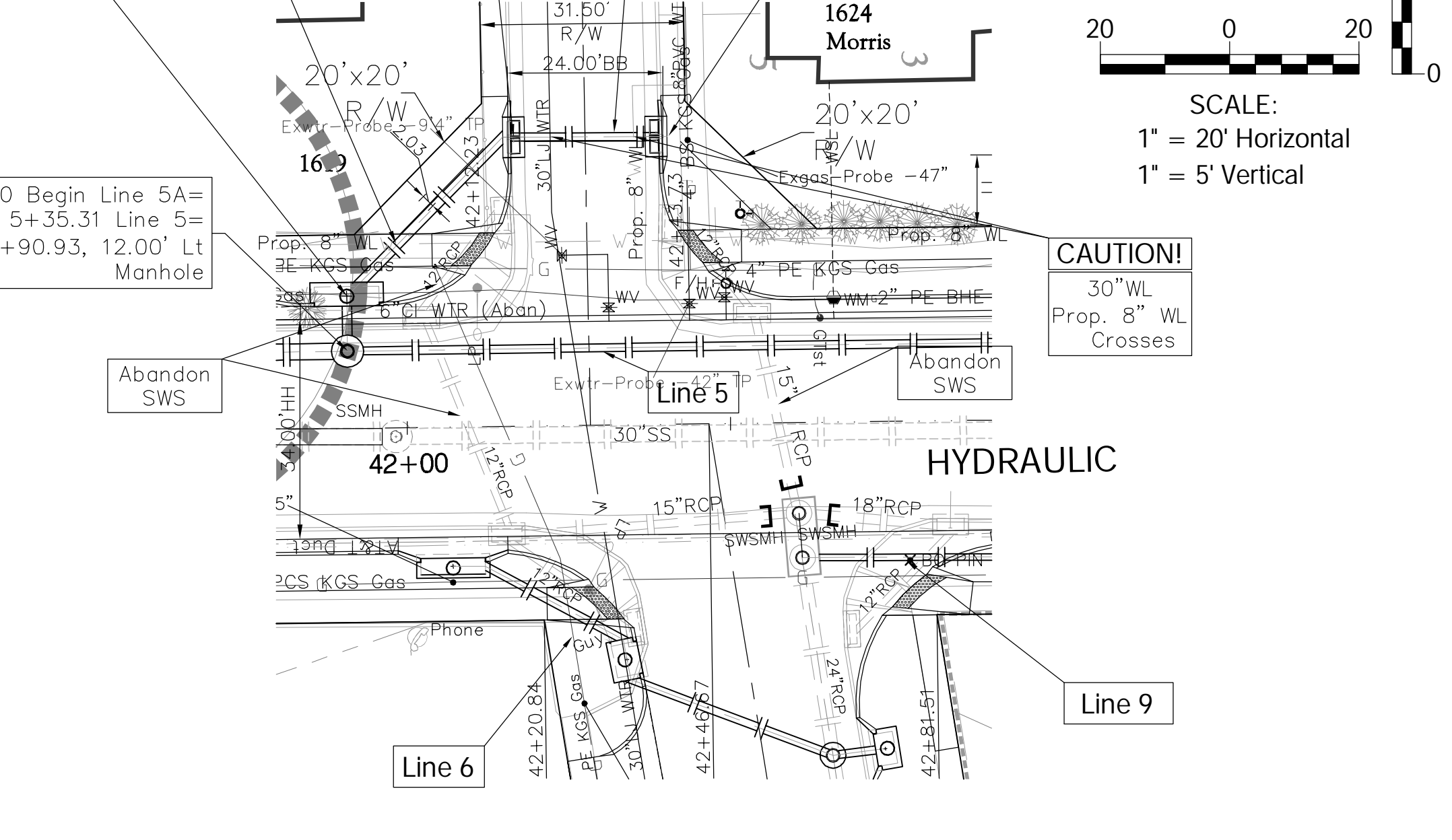
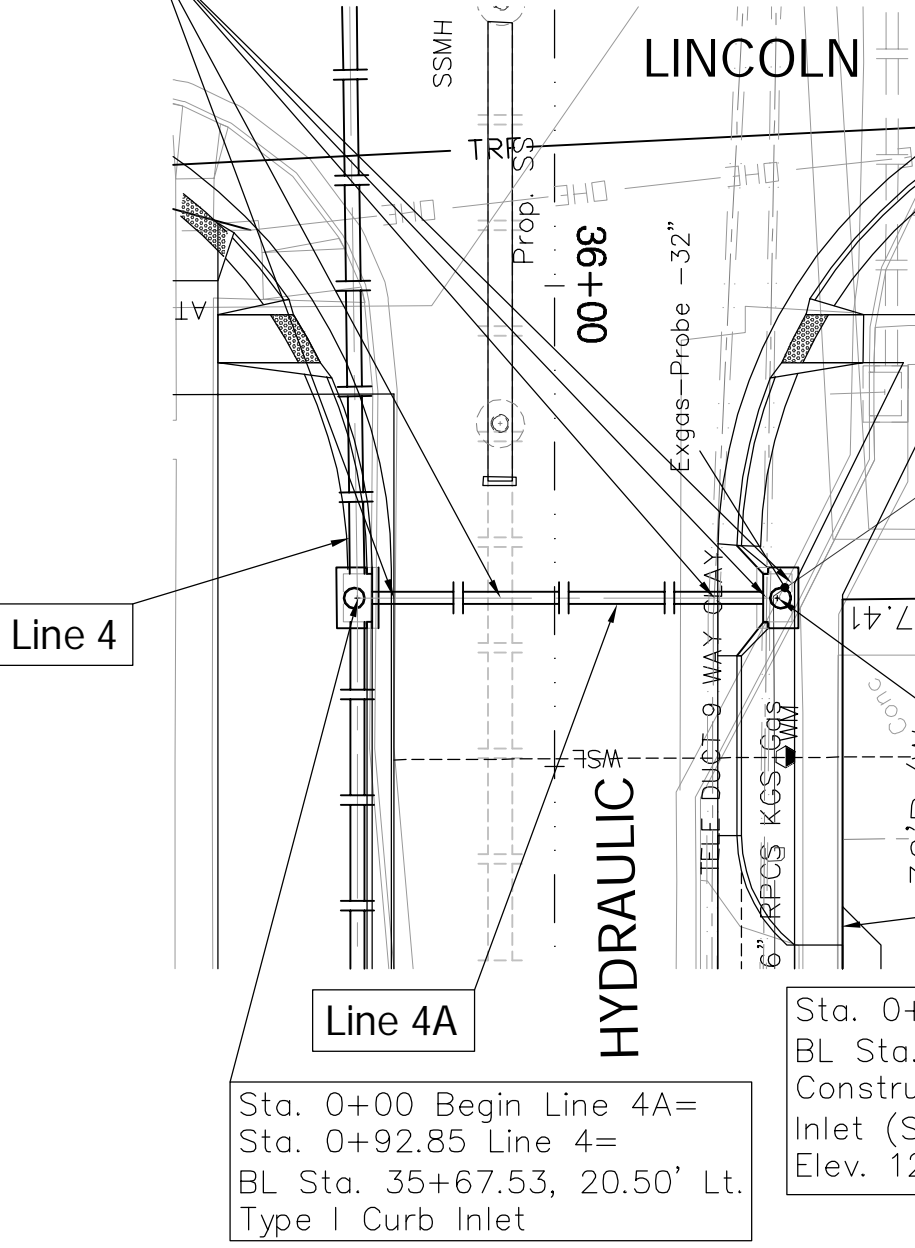
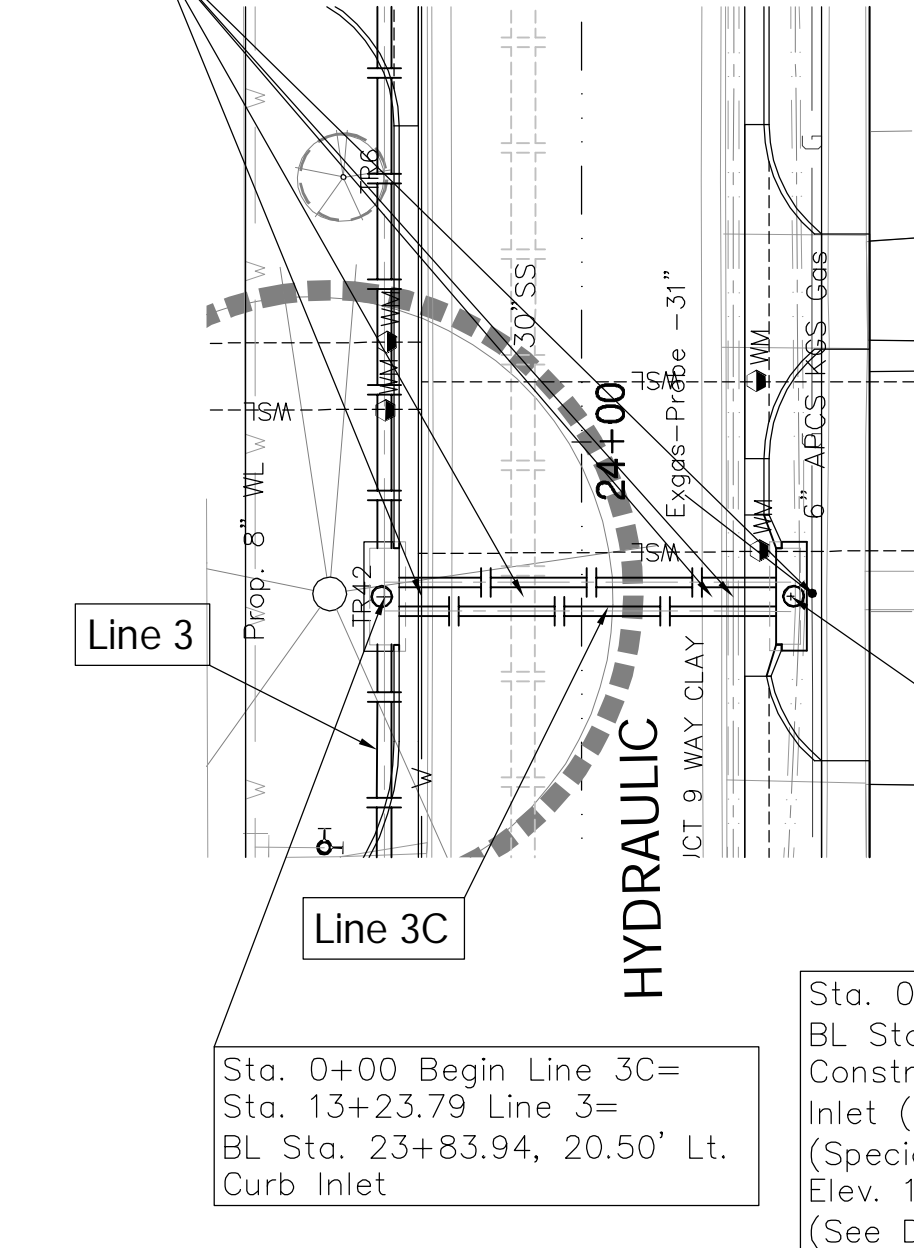
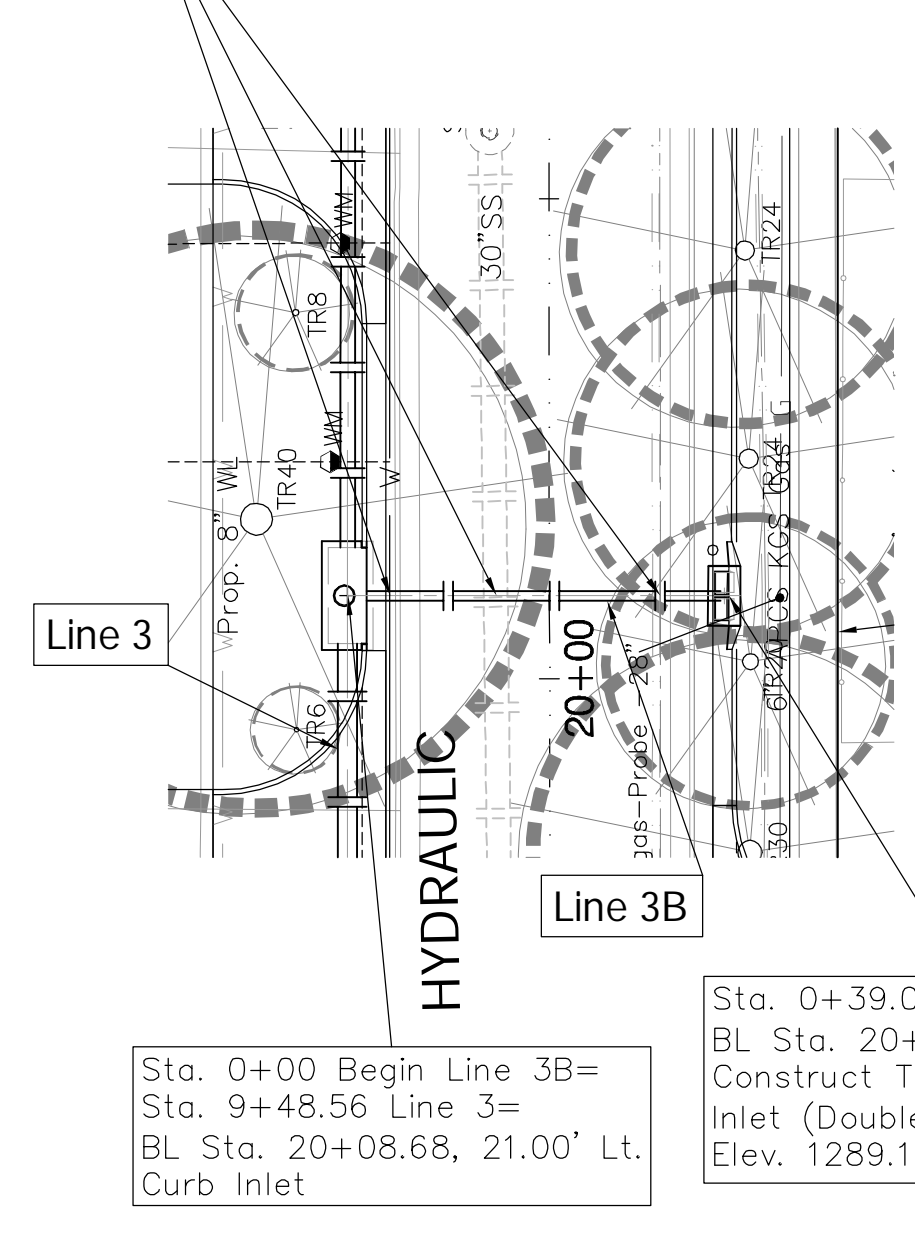
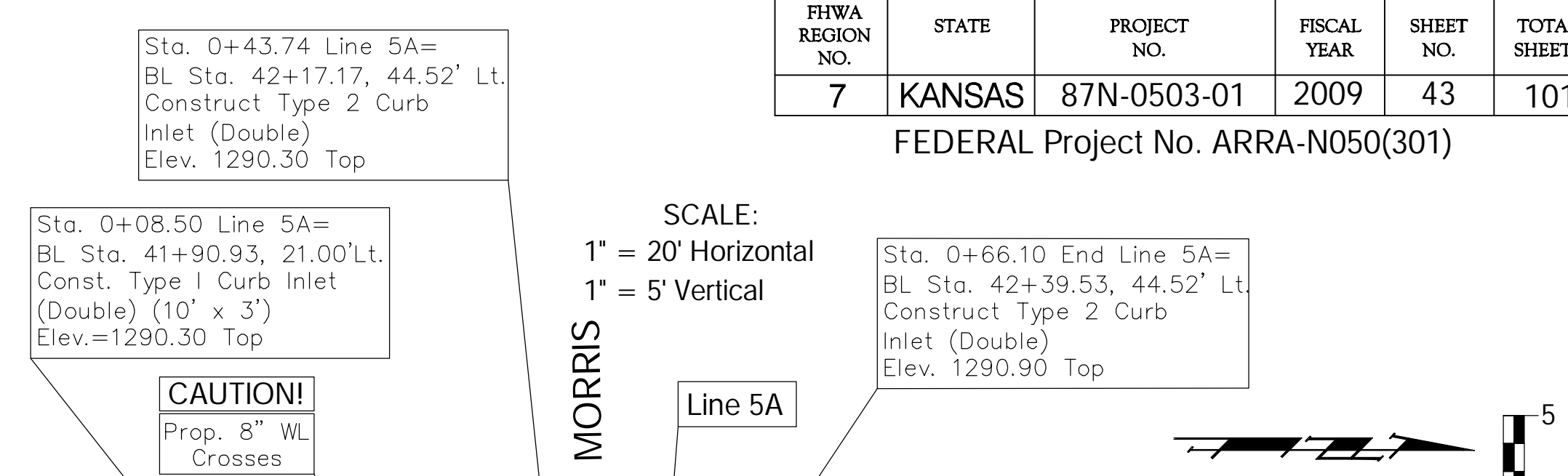
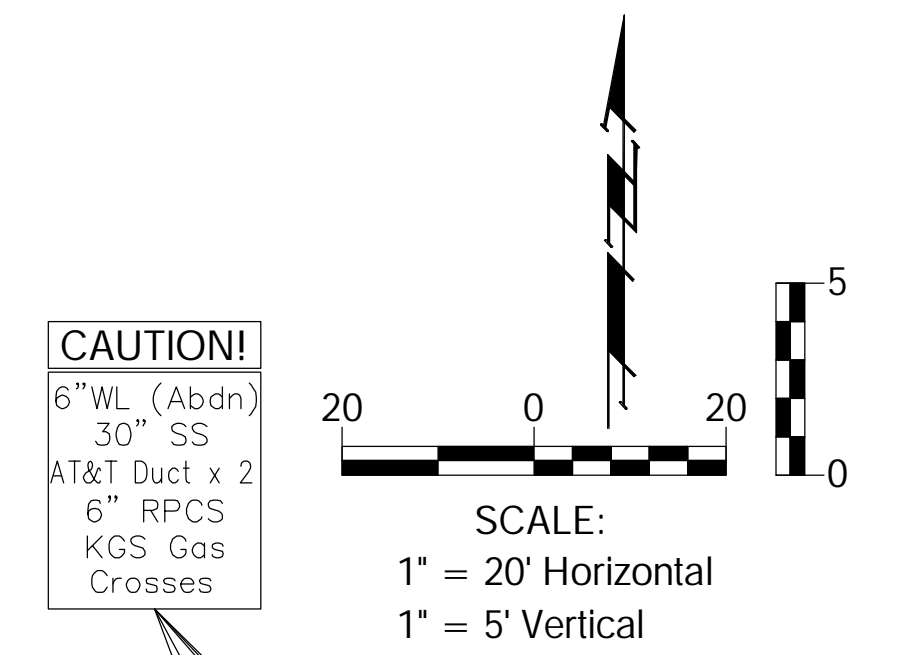
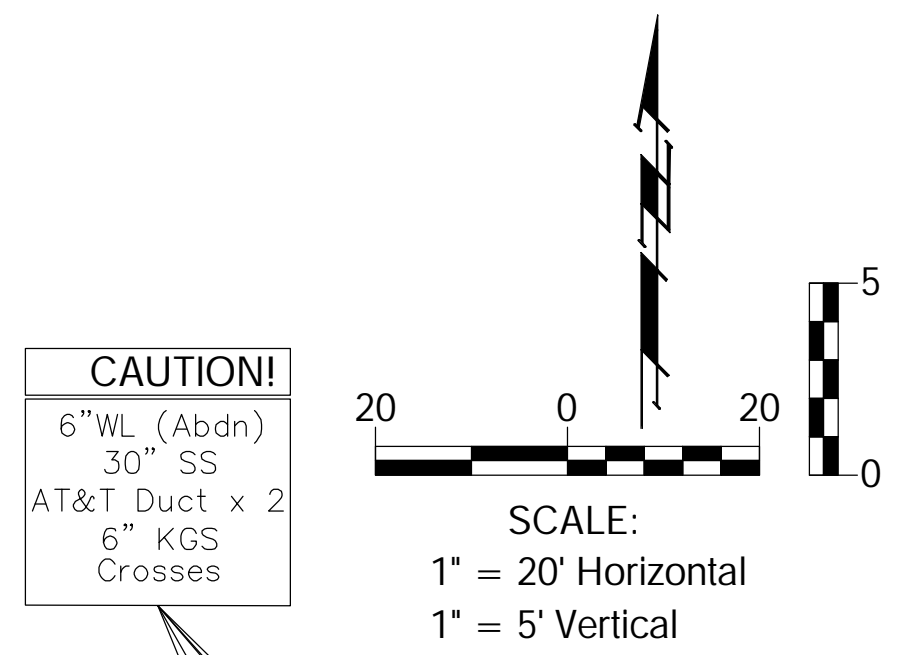
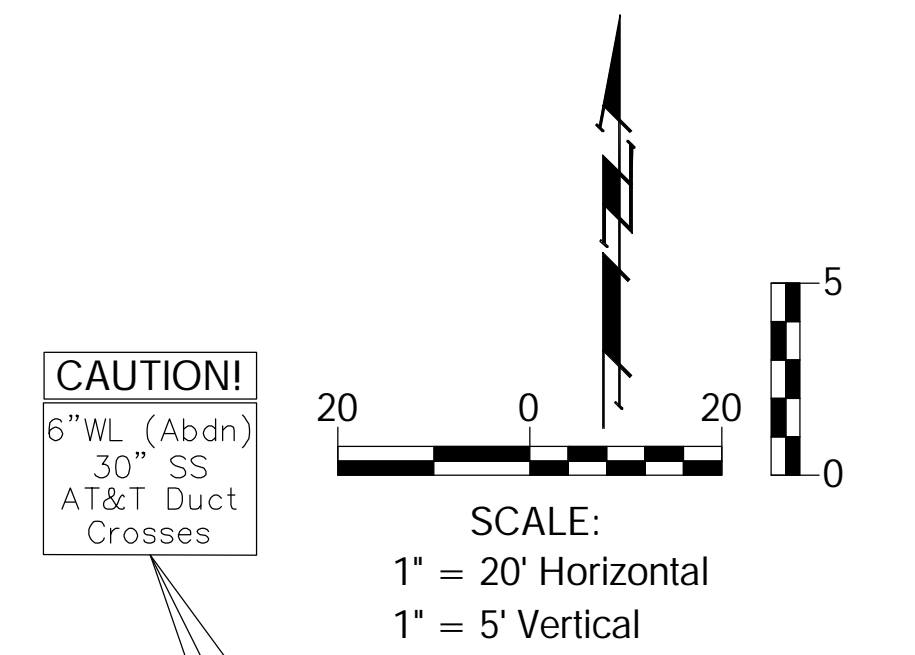


FHWA REGION NO.	STATE	PROJECT NO.	FISCAL YEAR	SHEET NO.	TOTAL SHEETS
7	KANSAS	87N-0503-01	2009	43	101

FEDERAL Project No. ARRA-N050(301)

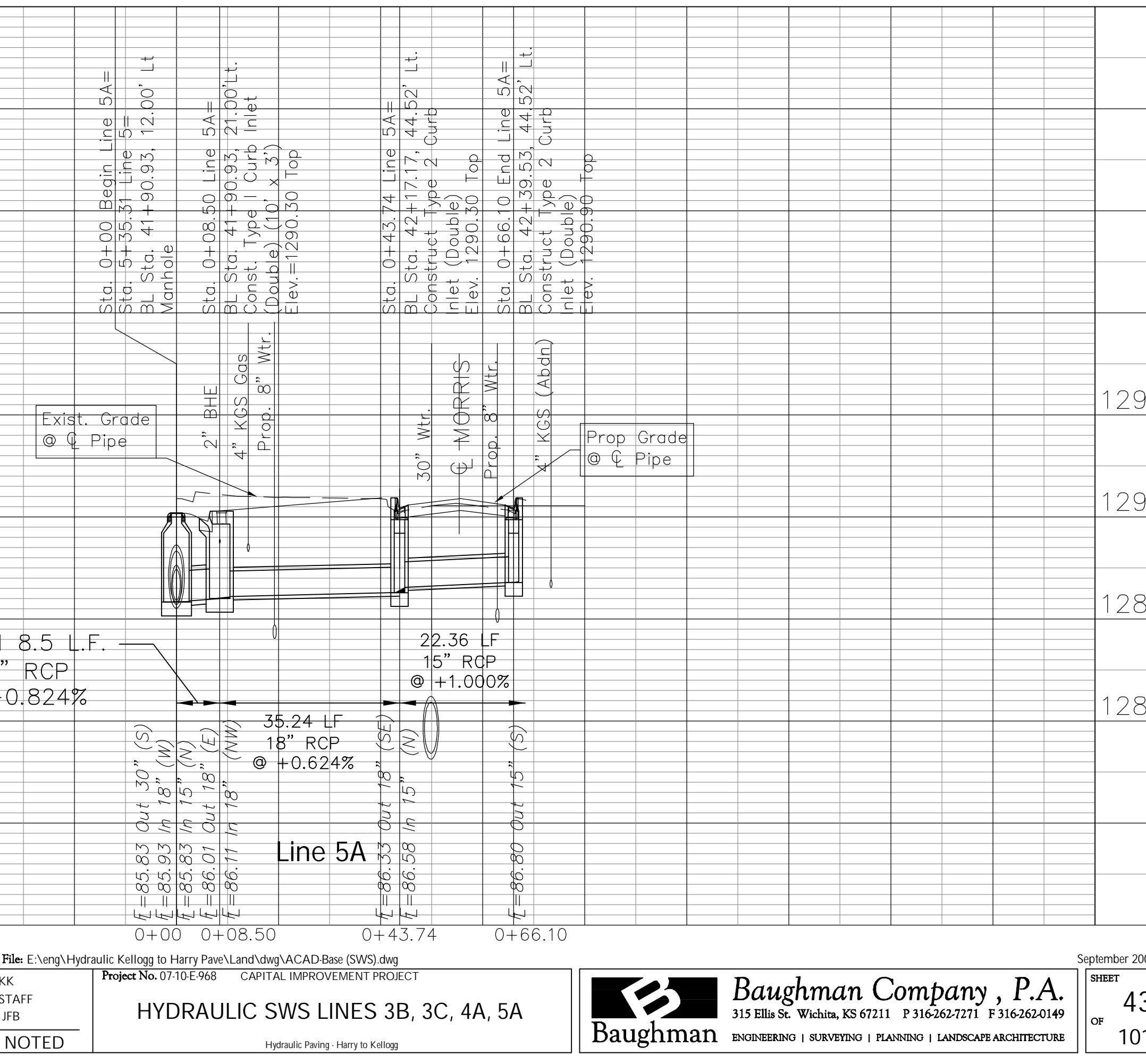
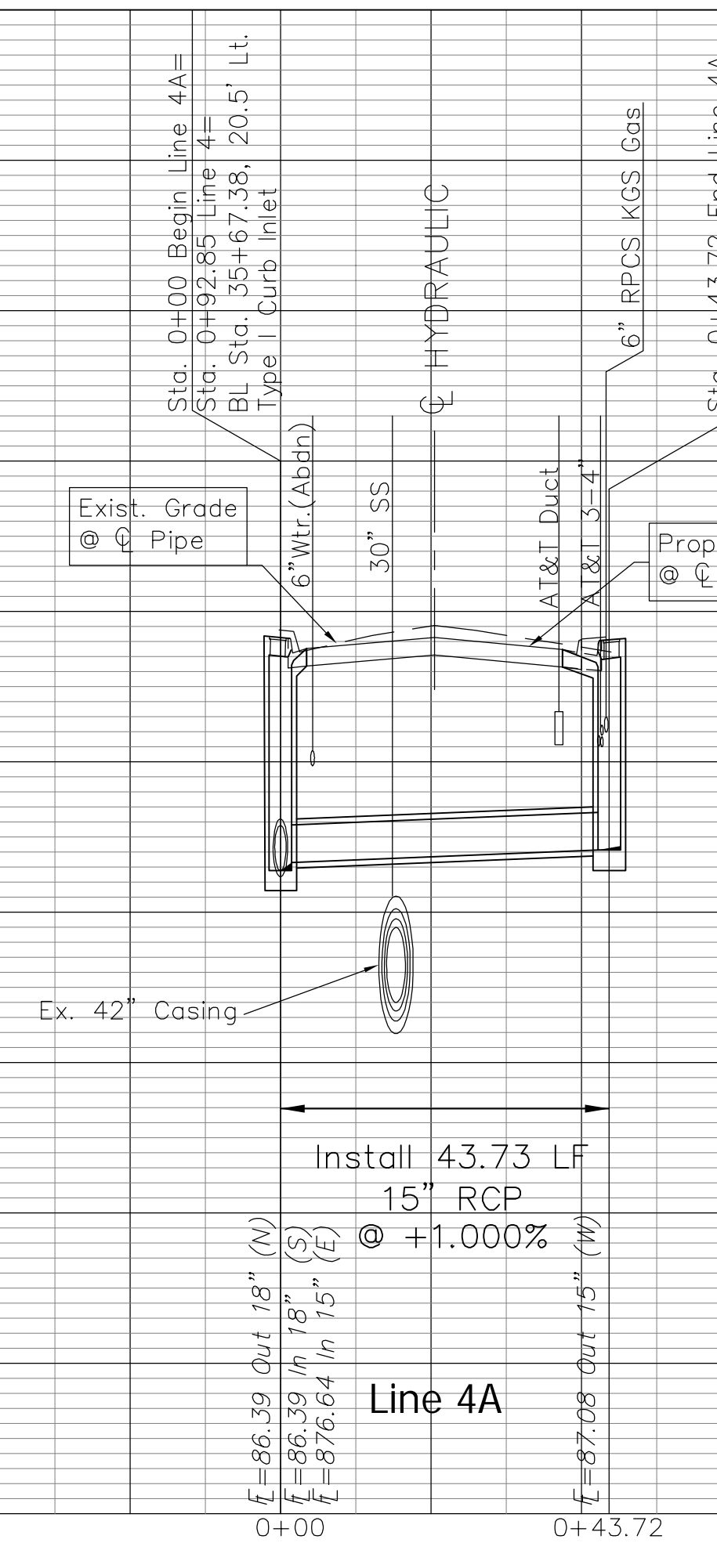
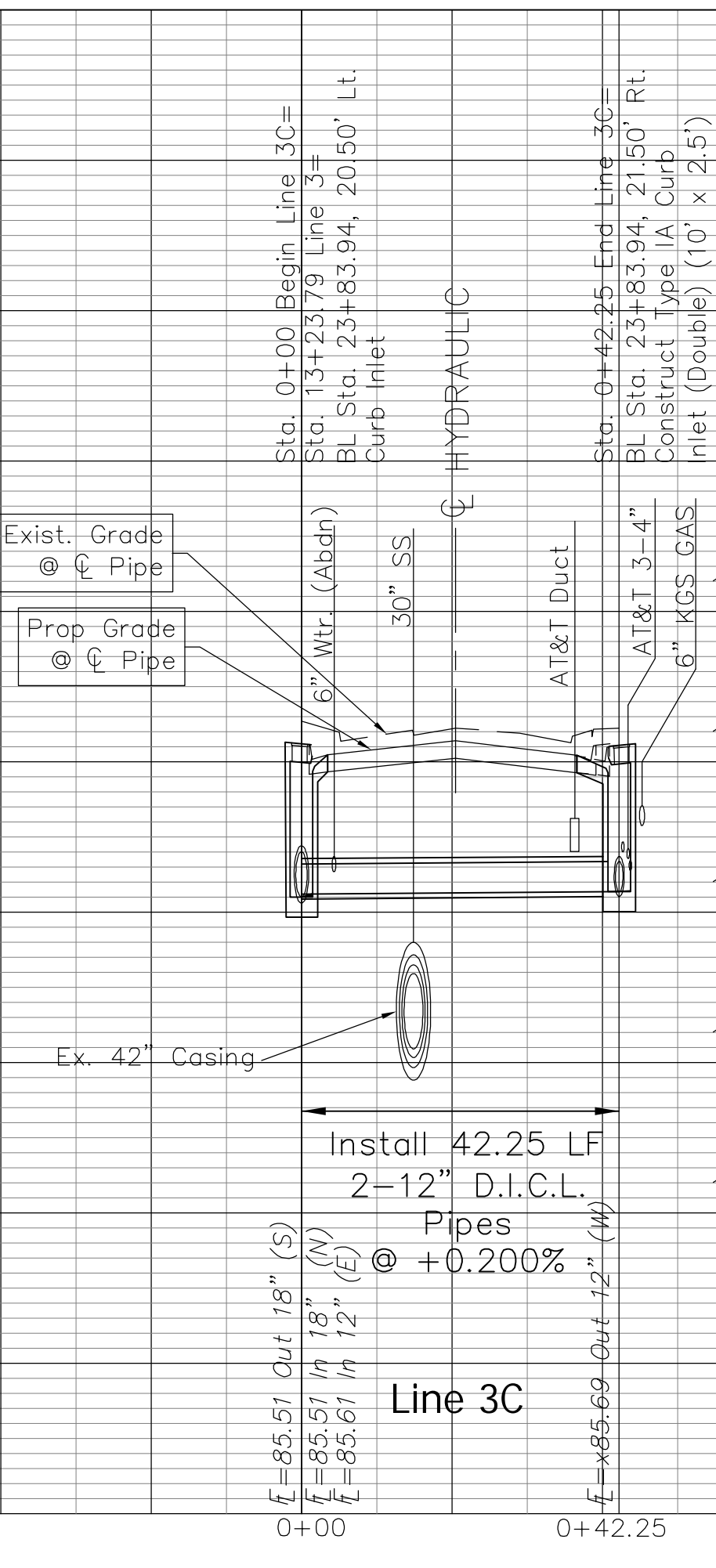
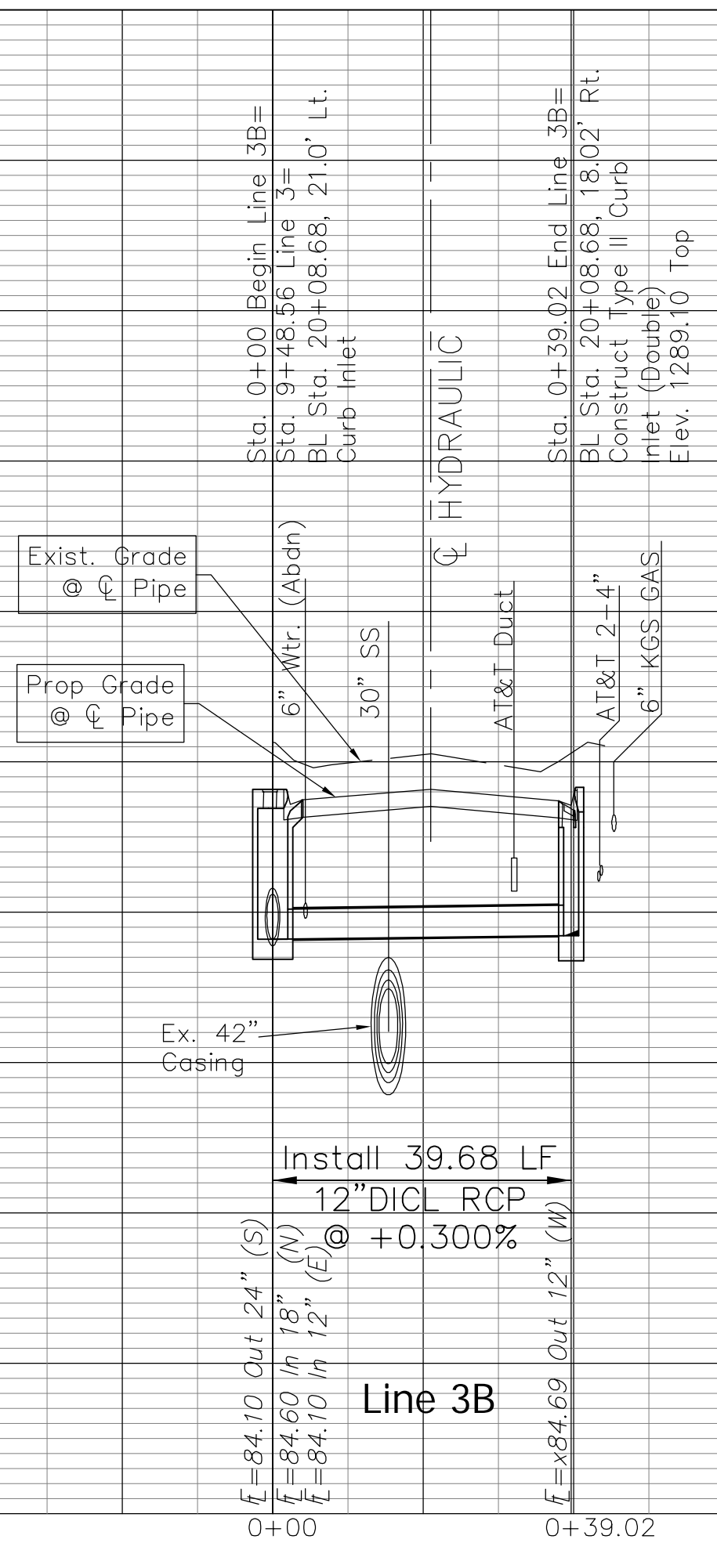


Line 3B

Line 3C

Line 4A

Line 5A



Drawing File: E:\eng\Hydraulic\_Kellogg to Harry Pave\Land\ding\ACAD Base (SWS).dwg  
 Design: KK  
 Drawn: STAFF  
 Approved: JFB  
 Scale: NOTED

Project No. 0710 E 968 CAPITAL IMPROVEMENT PROJECT  
 HYDRAULIC SWS LINES 3B, 3C, 4A, 5A

**Baughman Company, P.A.**  
 315 Ellis St. Wichita, KS 67211 P 316-262-7271 F 316-262-0149  
 ENGINEERING | SURVEYING | PLANNING | LANDSCAPE ARCHITECTURE