

FHWA REG. NO.	STATE	PROJECT NO.:	YEAR	SHEET NUMBER	TOTAL SHEETS
7	KANSAS	87 N-0502-01	2009	63	226

**GENERAL NOTES**

**UNIT STRESSES:** Grade 4.0 Concrete;  $f'c = 4,000$  p.s.i.  
Reinforcing Steel;  $f_y = 60,000$  p.s.i.

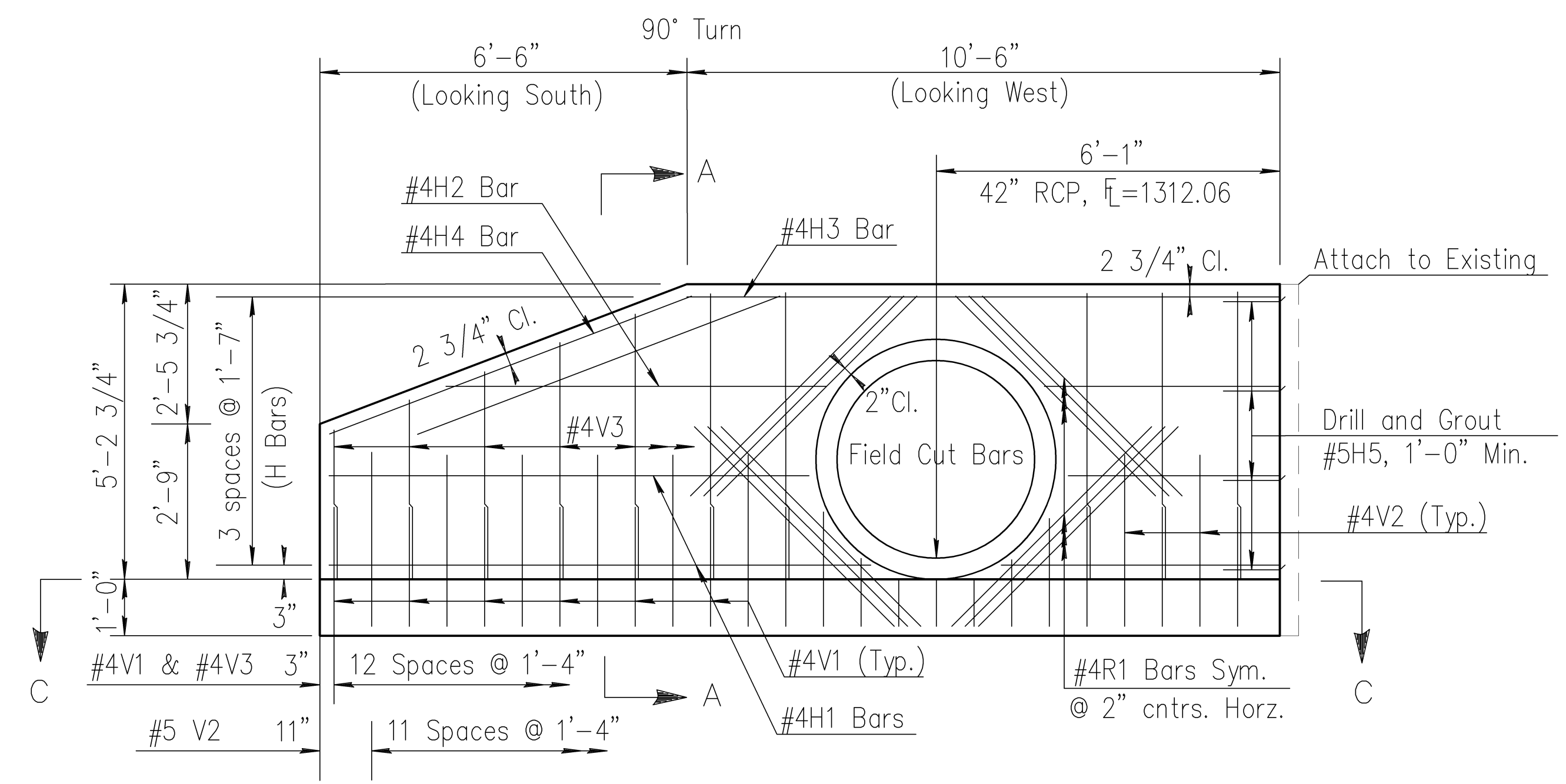
**CONCRETE:** Grade 4.0 Concrete shall be used throughout. Bevel all exposed edges with a 1/2 inch triangular moulding.

**REINFORCING:** All reinforcing shall conform to ASTM A615, Grade 60. Welded Wire Fabric shall conform to ASTM A185. All dimensions relative to reinforcing steel shall be to center-line of bar unless otherwise noted.

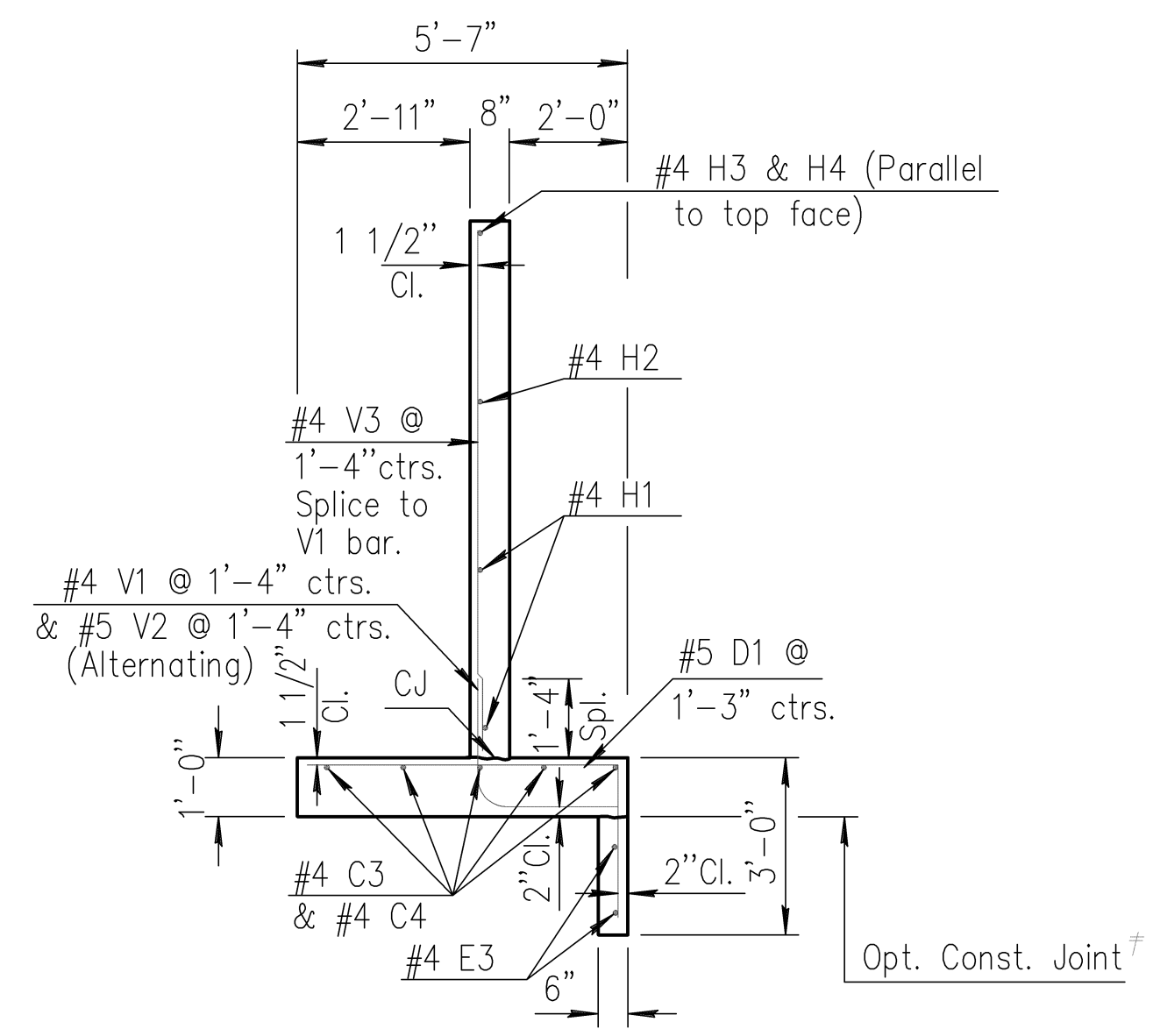
**BACKFILL MATERIAL:** Soils judged as high plasticity clays, fat clays, expansive clays, or organic clays are unsuitable for backfill material for wingwalls and will not be used. Where these conditions exist, use Granular Backfill (Wingwalls).

**FOUNDATION STABILIZATION:** Use Foundation Stabilization on all wingwalls unless founded on rock or granular material.

**BID ITEMS:** All work and materials are subsidiary to wing wall extension bid item.



**EXTENDED ELEVATION OF WINGWALL**  
Downstream Left  
(Front Face Shown)

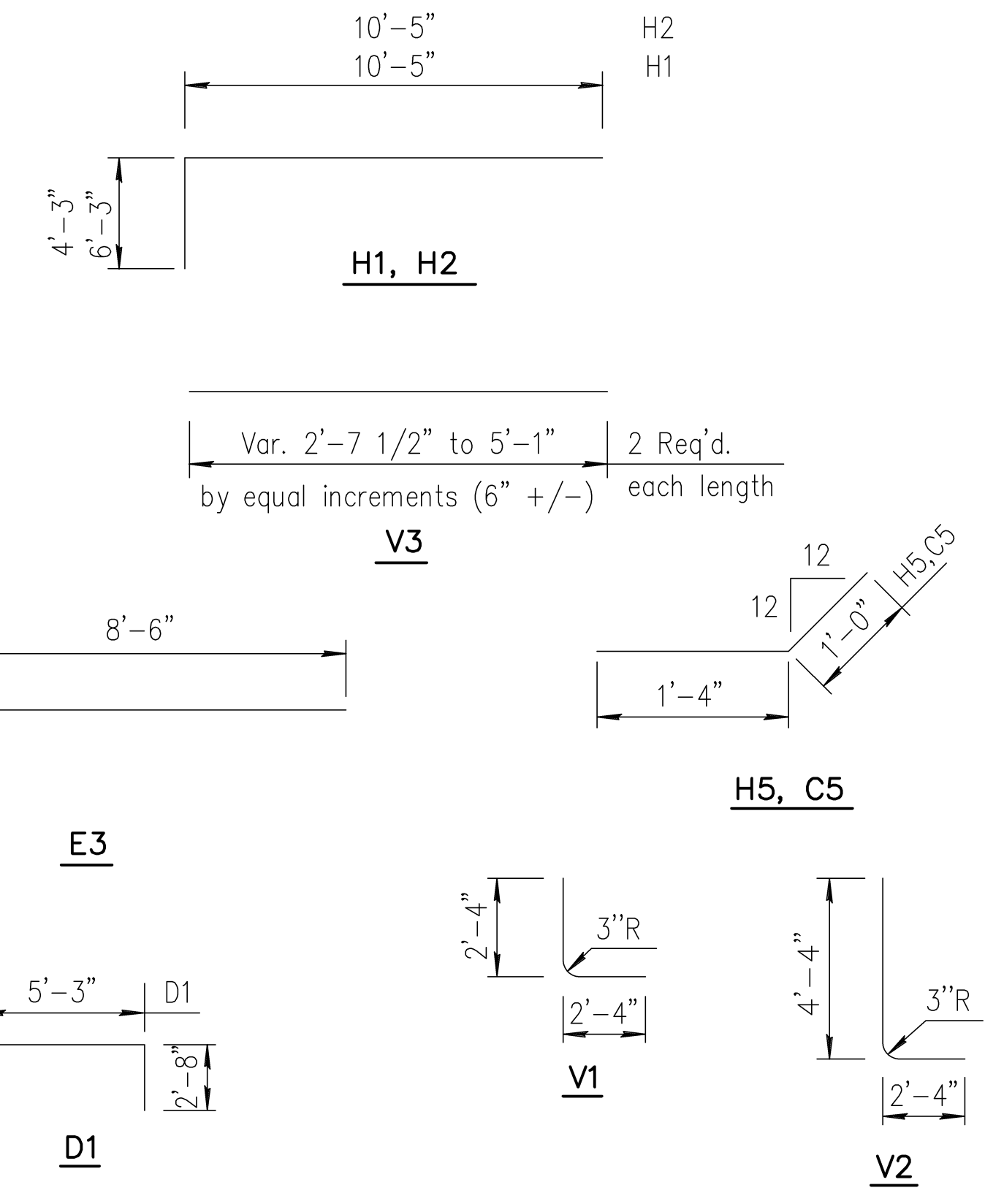


**SECTION A-A**

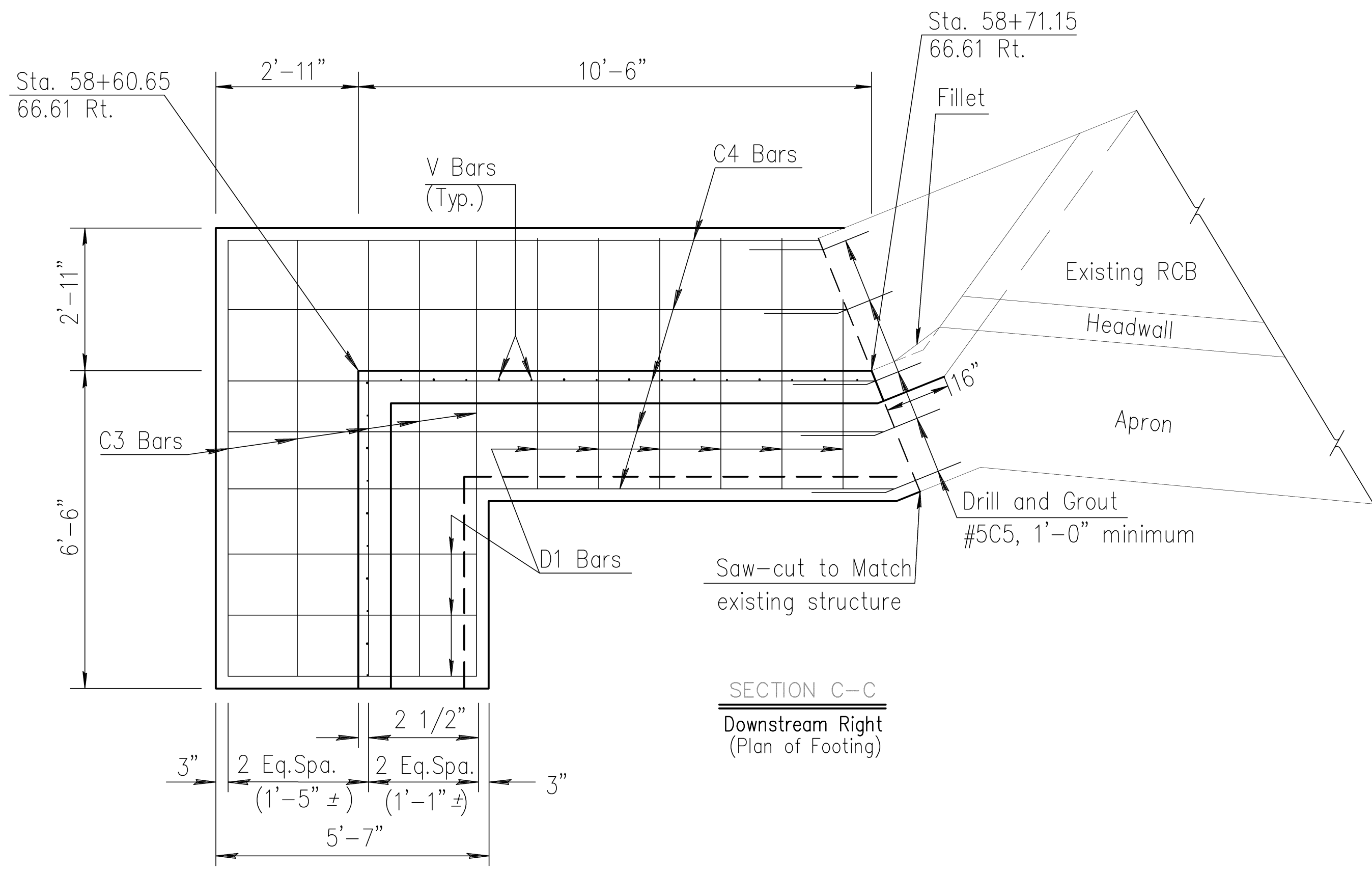
See "RCB Aux. Details" sheet for requirements of Wingwall Subbase.

\* NOTE: Const. Jt. may be used at Contractor's option when approved by the Engineer. D1 bars or mesh may be spliced thus: Minimum overlap shall be 1'-3". No increase in quantities or cost shall be allowed when Contractor elects this option.

NOTE:  
EF = Each Face  
CJ = Const. Joint



**BENDING DIAGRAM**  
(All dimensions are out to out of bars.)



**SECTION C-C**  
Downstream Right  
(Plan of Footing)

**\* WINGWALL EXTENSION QUANTITIES (One End Only)**

	Foundation Stabilization (C.Y.)	Concrete (Gr. 4.0) (C.Y.)
Wingwalls	---	---
Apron	---	---
Soil Saver	---	---
Reinforcing Steel (Gr. 60)		415 Lbs.
Welded Wire Fabric		-- Lbs.

**\* FOR INFORMATION ONLY**

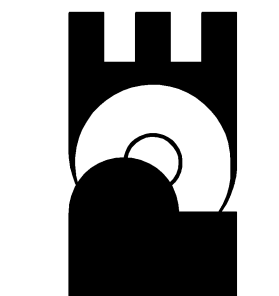
\* See Bending Diagram

Mark	#4C3	#4C4	#5D1	#4E3	#4V1	#5V2	#4V3	#4H1	#4H2	#4H3	#4H4	#5C5	#5H5	#4R1
Number	5	5	9 *	2 *	13 *	12 *	10	2 *	1 *	1	1	5 *	4 *	12
Length	8'-11"	8'-11"	7'-11"	12'-4"	4'-8"	6'-8"	*	16'-8"	14'-8"	10'-5"	6'-10"	2'-4"	2'-4"	5'-0"

No.	Date	By	Approved	Revision

MAIZE ROAD  
WEST KELLOGG TO PANNEE AVE.  
CITY OF WICHITA, KANSAS  
WINGWALL CONSTRUCTION DETAILS

POE & ASSOCIATES, INC.  
CONSULTING ENGINEERS  
5940 E. Central, Suite 200 - Wichita, KS 67208-4242  
Phone 316/685-4114 FAX 316/685-4444



NO.	DATE	REVISIONS	BY	APP'D

**WINGWALL EXTENSIONS**

Sta. 58+65.65 **Sedgwick Co.**

DESIGNED	APP'D	QUANTITIES	TRACED
DESIGN CK.	DETAIL CK.	QUAN CK.	TRACE CK.

**FINAL**

Designed By: M. Norfleet  
Drawn By: M. Norfleet  
Poe Job No.: 1935  
Date: SEPTEMBER 2009

Sheet 63 of 226