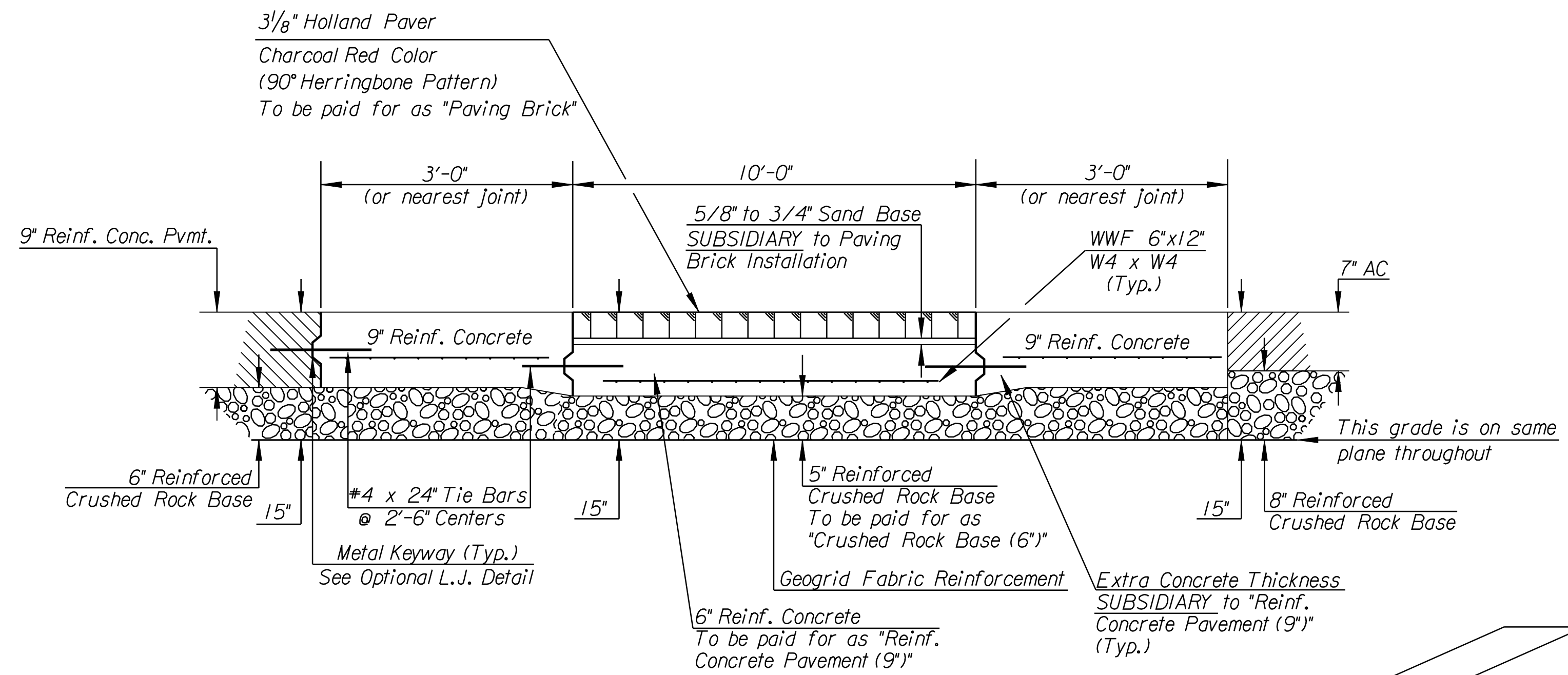
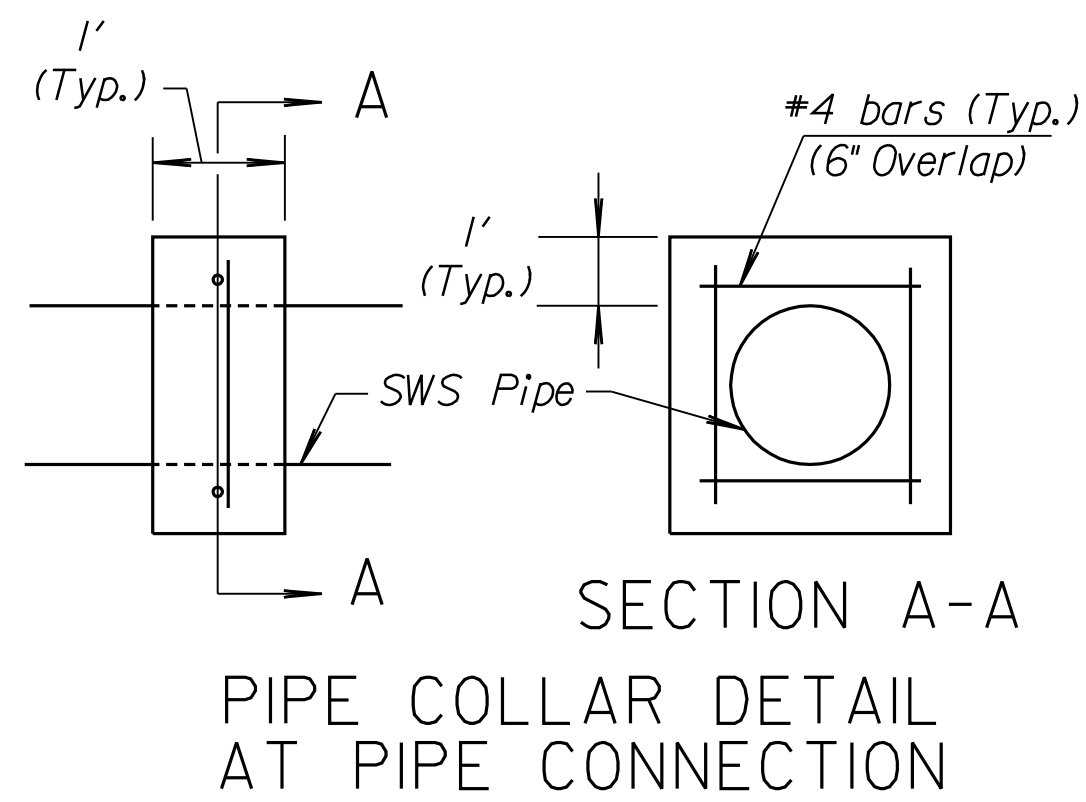
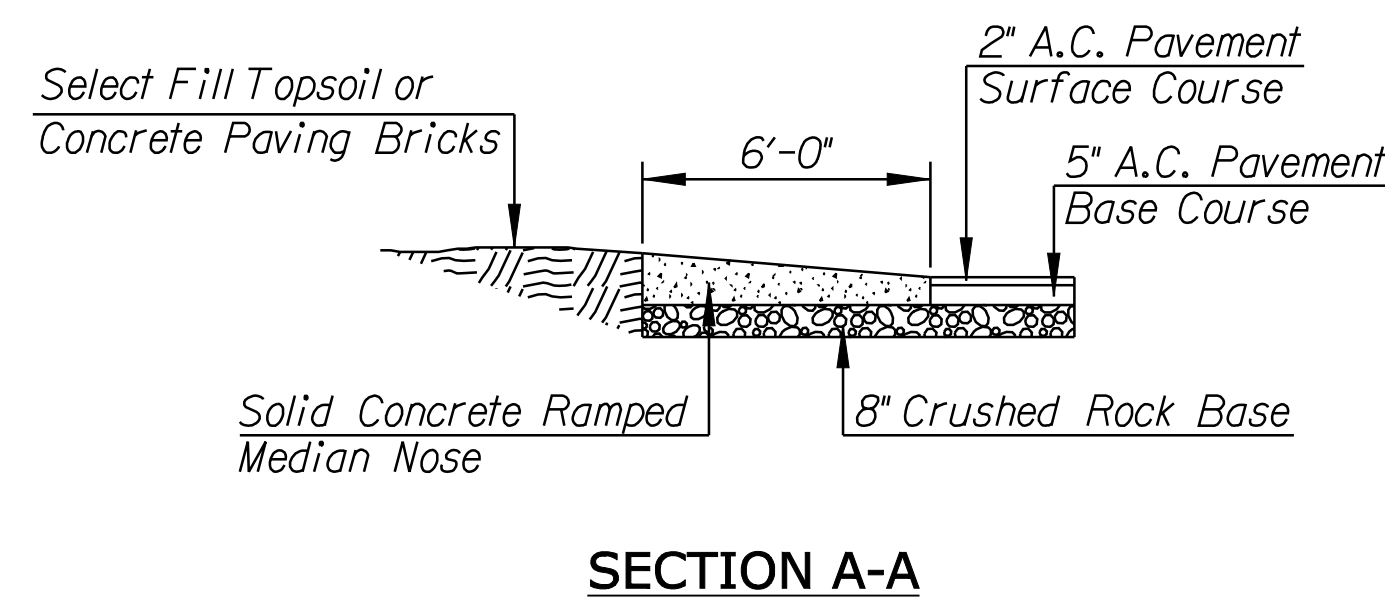
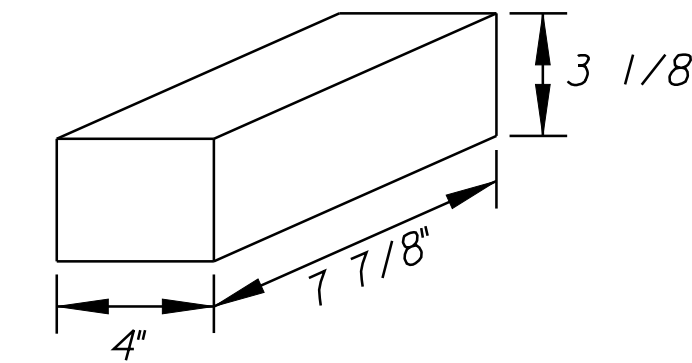


COUNTY	STATE	PROJECT NO.	YEAR	SHEET NO.	TOTAL SHEETS
SEDGWICK	KANSAS	87 N-0386-01	2009	50	255

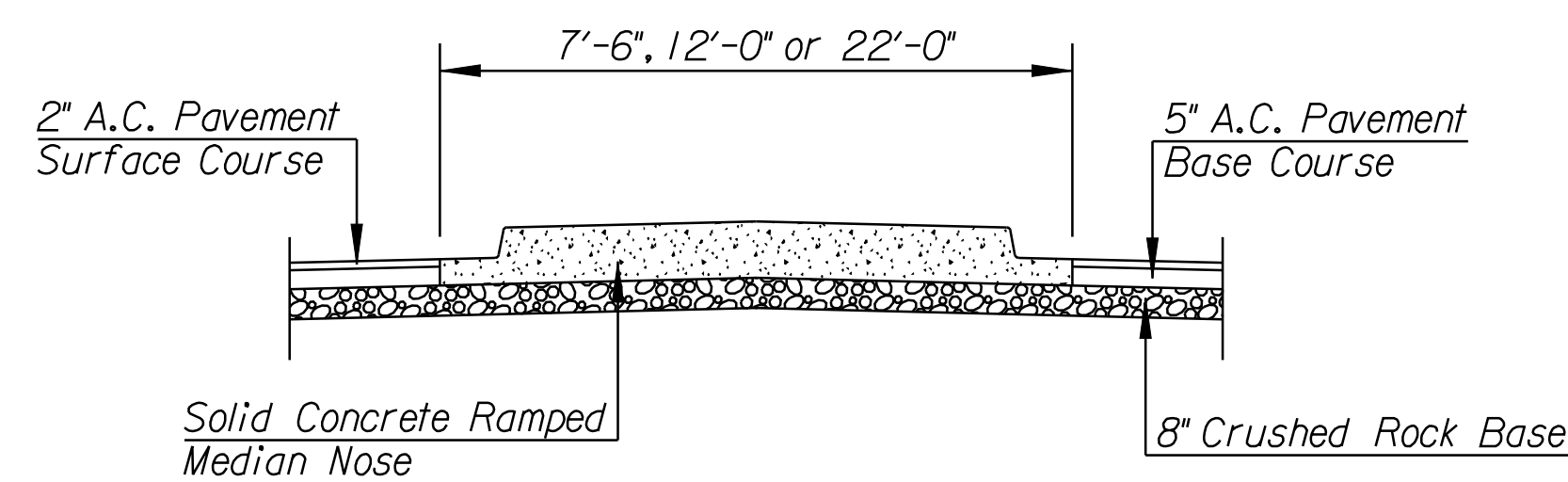


CROSSWALK BRICK PAVER SURFACE DETAIL

NOTE: Construction of the interlocking precast concrete paving stones shall conform to KDOT special provisions 90P-3956



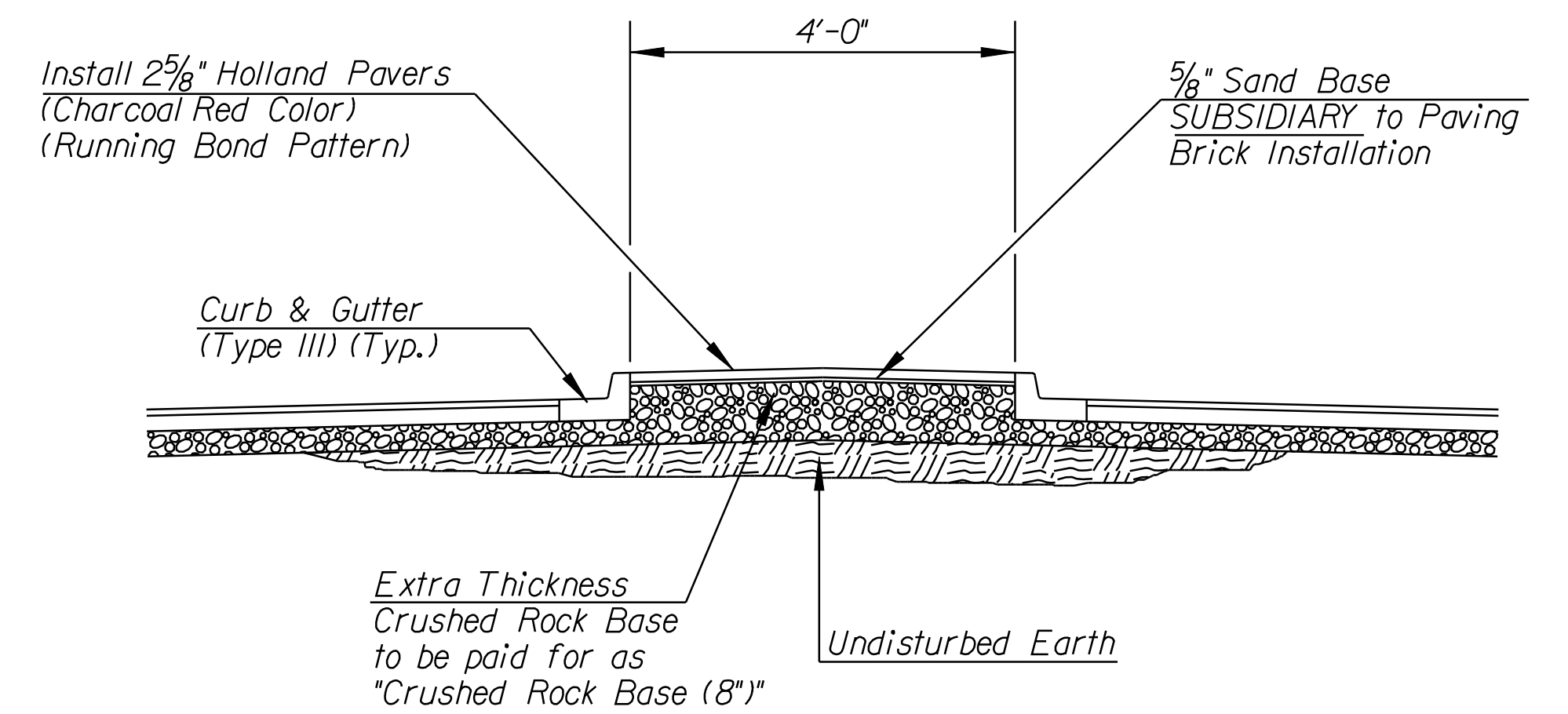
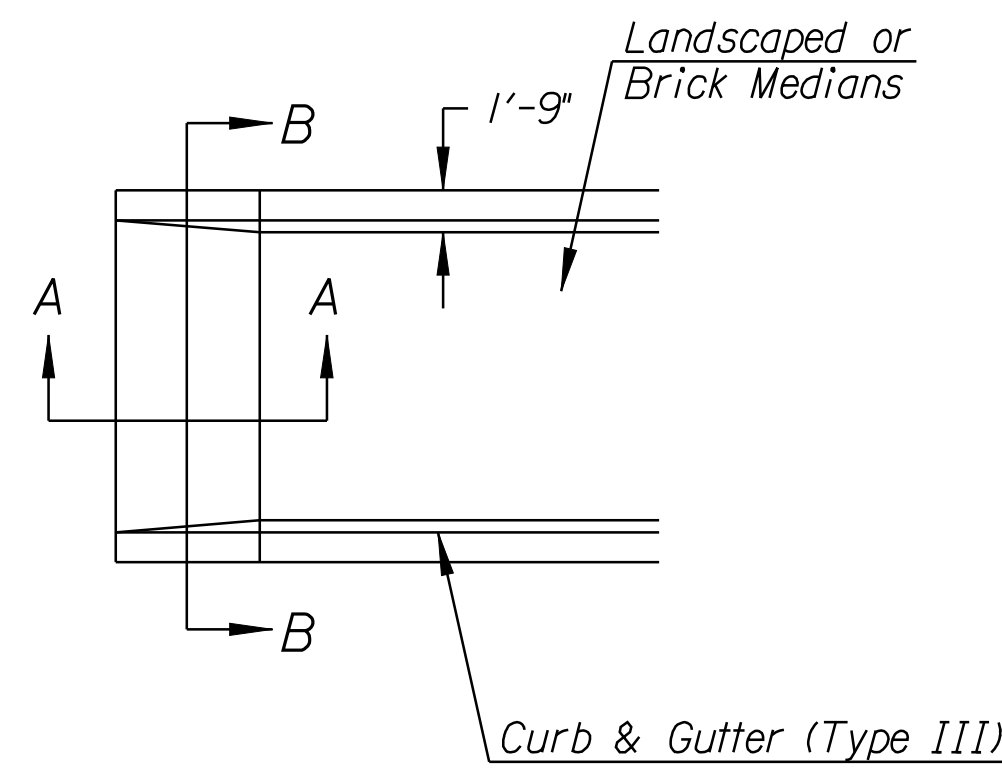
SECTION A-A



SECTION B-B

CONCRETE MEDIAN NOSE DETAIL

Shall be paid for as "Concrete Median Nose (Eq.)"



BRICK PAVER MEDIAN DETAIL

CITY OF WICHITA JAMES ARMOUR, P.E., CITY ENGINEER	
GREENWICH ROAD MISCELLANEOUS DETAILS	
SCALE 1"=20'	DATE 11/23/2009
DWG. NO. 35751A	

K:\35751A\CADD\SHEETS\ROADWAY\DETAILS\GRNWHMISC.dgn SURV. PLOT CADD DES. RAN DR. JR TR. CKD. JUR APP.