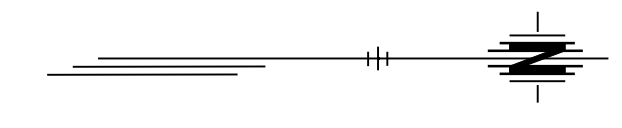
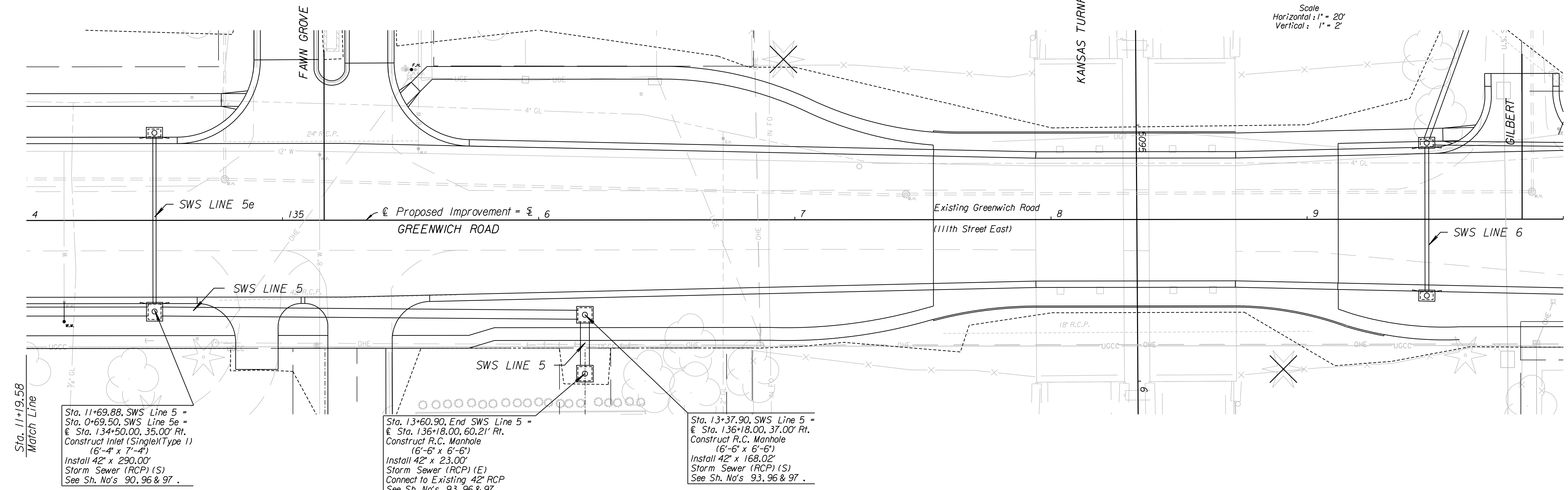


COUNTY	STATE	PROJECT NO.	YEAR	SHEET NO.	TOTAL SHEETS
SEDGWICK	KANSAS	87 N-0386-01	2009	79	255



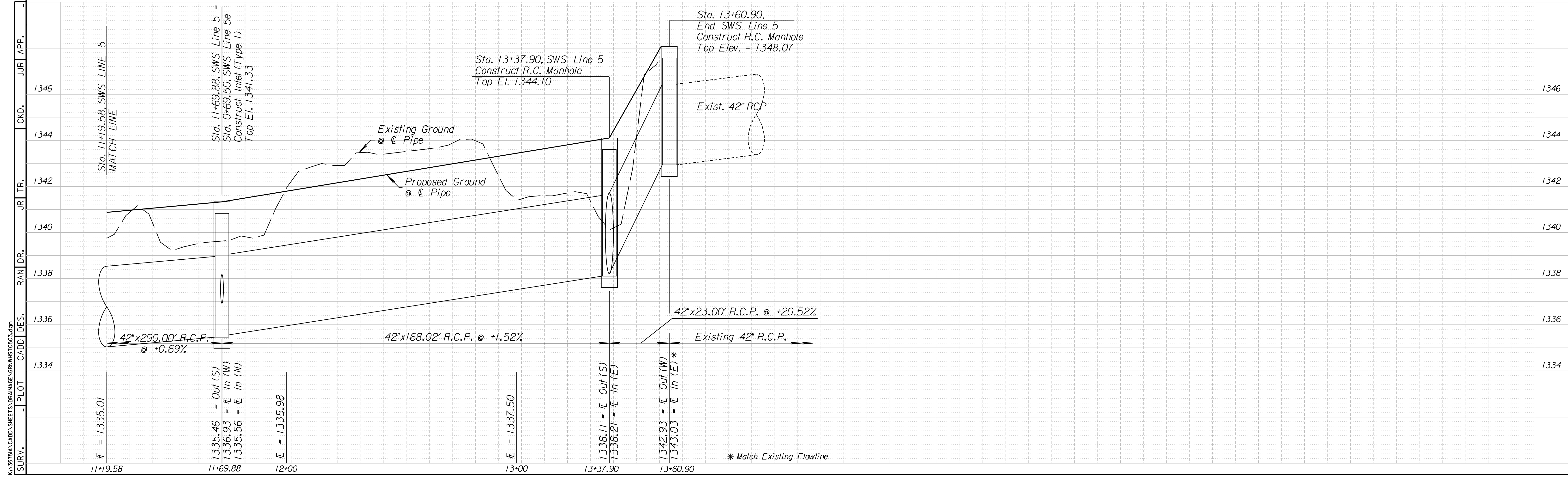
Scale
Horizontal: 1" = 20'
Vertical: 1" = 2'



Sta. 11+69.88, SWS Line 5 =
Sta. 0+69.50, SWS Line 5e =
Sta. 134+50.00, 35.00' Rt.
Construct Inlet (Single) (Type 1)
(6'-4" x 7'-4")
Install 42" x 290.00'
Storm Sewer (RCP) (S)
See Sh. No's 90, 96 & 97 .

Sta. 13+60.90, End SWS Line 5 =
Sta. 136+18.00, 60.21' Rt.
Construct R.C. Manhole
(6'-6" x 6'-6")
Install 42" x 23.00'
Storm Sewer (RCP) (E)
Connect to Existing 42" RCP
See Sh. No's 93, 96 & 97 .

Sta. 13+37.90, SWS Line 5 =
Sta. 136+18.00, 37.00' Rt.
Construct R.C. Manhole
(6'-6" x 6'-6")
Install 42" x 168.02'
Storm Sewer (RCP) (S)
See Sh. No's 93, 96 & 97 .



SURV. PLOT CADD DES. RAN DR. JR TR. CKD. JUR APP.