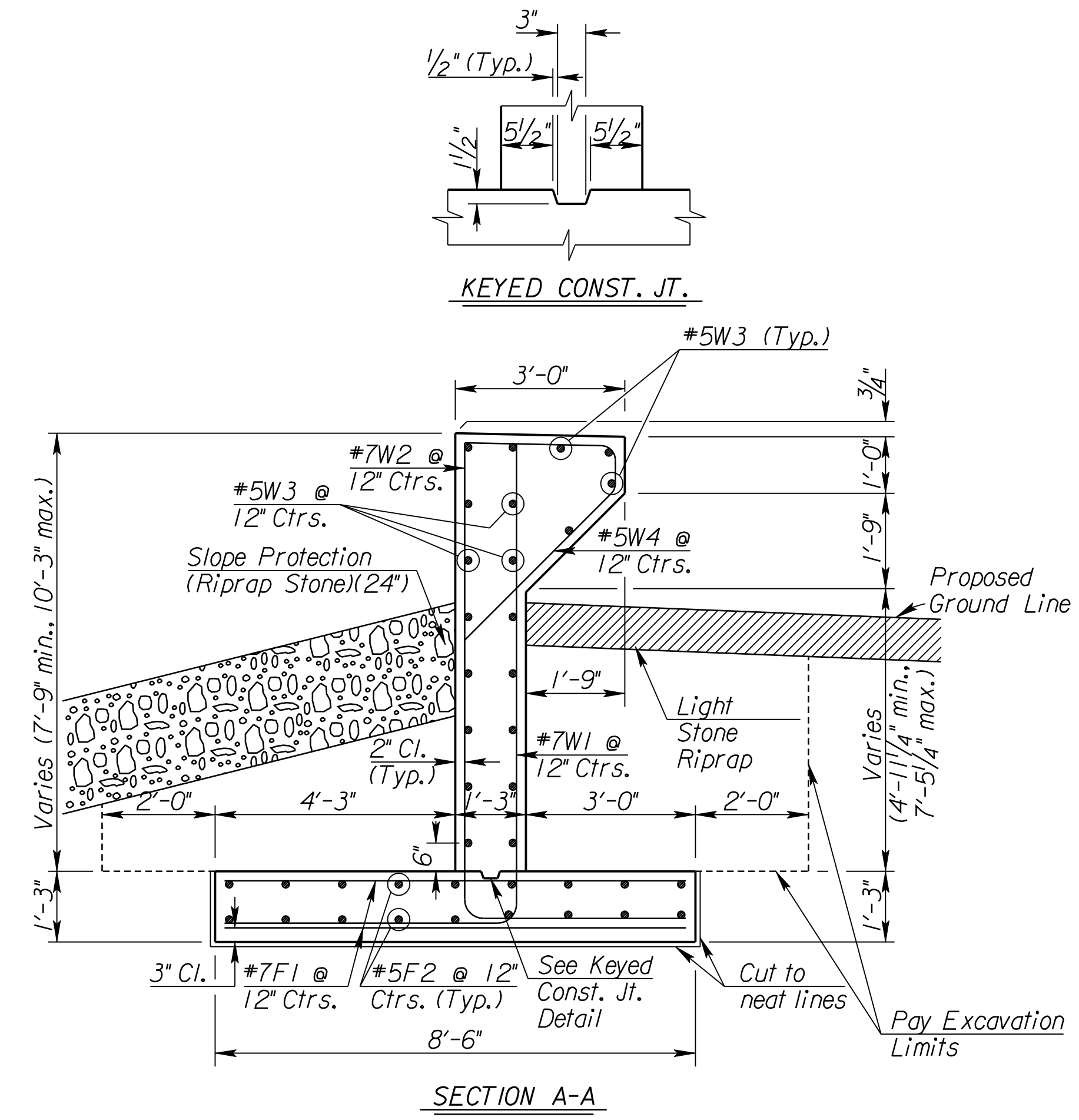
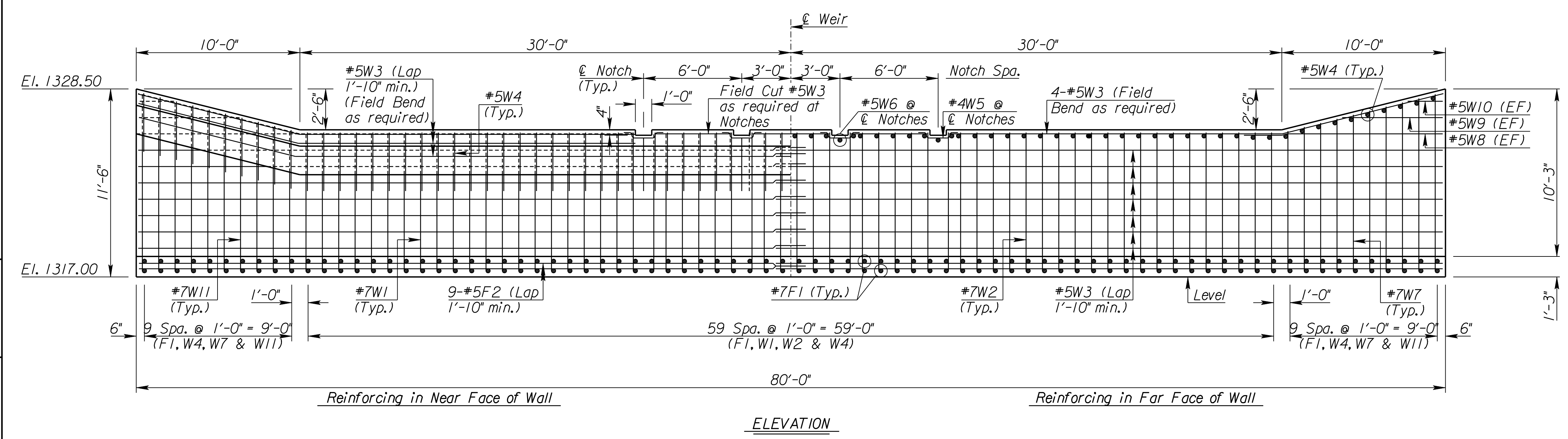
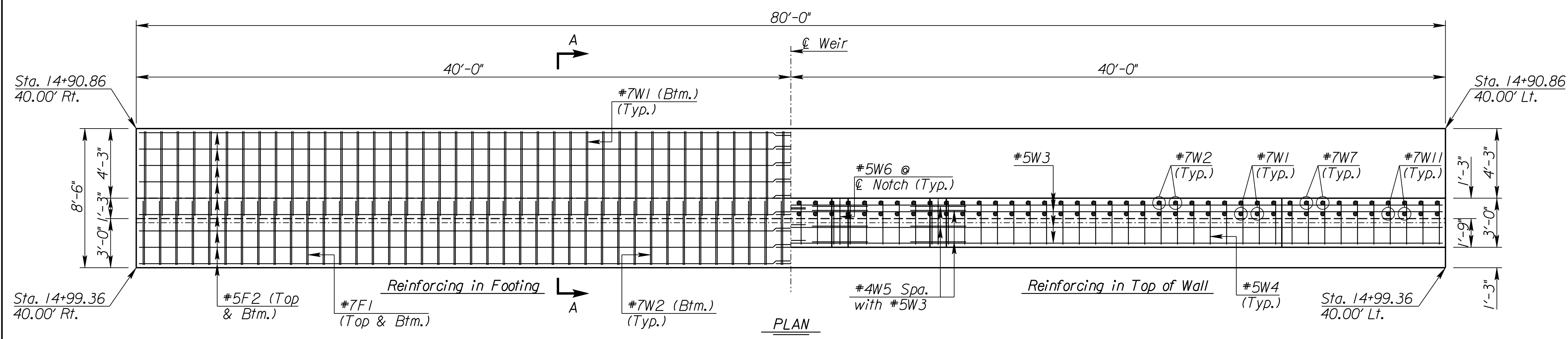


COUNTY	STATE	PROJECT NO.	YEAR	SHEET NO.	TOTAL SHEETS
SEDGWICK	KANSAS	87 N-0386-01	2009	89	255

**LEGEND**  
 EF = Each Face  
 NF = Near Face  
 FF = Far Face



**SECTION A-A**  
 Limits and Details for Slope Protection and Articulated Concrete Block Mats shown on other plan sheets. Space 2-#7F1 with #7W1, #7W2 & #5W4 as shown in Elevation.

**GENERAL NOTES**

**EXCAVATION:** Excavation limits are to neat concrete lines in the footing; and 2'-0" from footing, vertically from the top of footing to the top of proposed ground. Excavate bottom and sides of footing to neat lines.

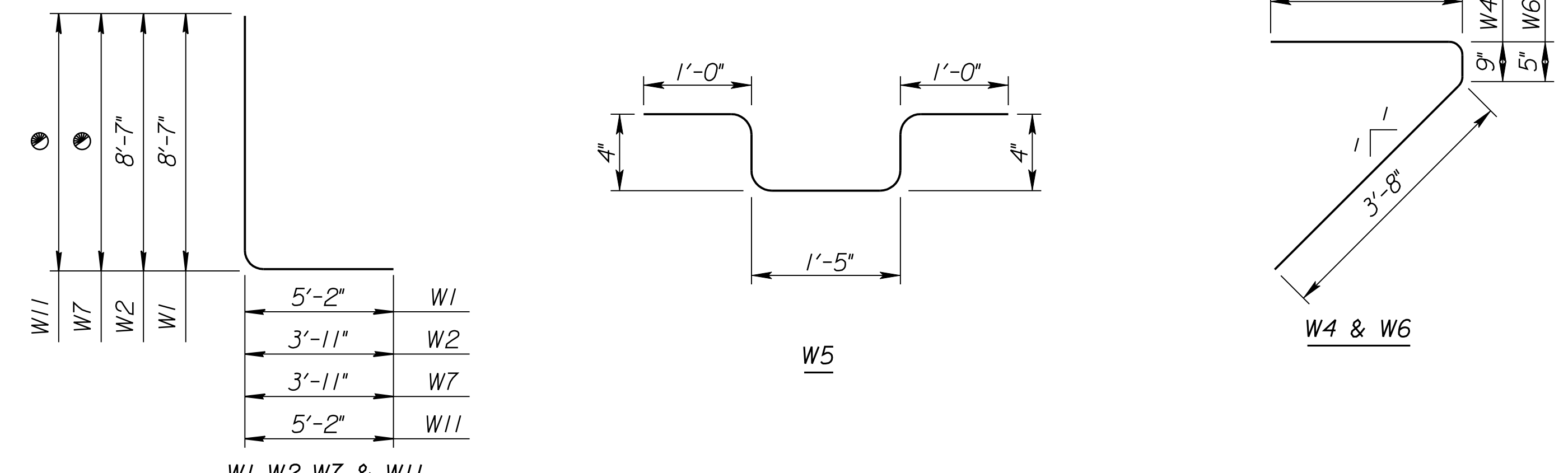
**BACKFILL COMPACTION:** Compact backfill beneath the slope protection and articulated blocks.

**CONCRETE:** Retaining wall concrete is bid as Concrete (Grade 4.0)(AE). Bevel all exposed edges of all concrete with a 3/4 inch triangular molding, except as otherwise noted on the plans. Construction joints may only be used at locations shown.

**REINFORCING STEEL:** All reinforcing steel dimensions are to the centerline of bars unless otherwise noted. All reinforcing steel shall conform to the requirements of ASTM A615, Grade 60.

Mark	Size	Number	Length
F1	#7	160	8'-2"
W1	#7	60	13'-9"
W2	#7	60	12'-6"
W7	#7	20	*
W11	#7	20	*
F2	#5	36	40'-9"
W3	#5	40	40'-9"
W4	#5	80	7'-1"
W6	#5	4	6'-9"
W8	#5	4	11'-10"
W9	#5	4	6'-1"
W10	#5	4	2'-1"
W5	#4	16	4'-1"

\* See Bending Diagram



W1, W2, W7 & W11  
 Increase from 8'-8" to 10'-11" by 3" increments (cut 2 each length)

SUMMARY OF QUANTITIES		
Class III Excavation	211 C.Y.	
Concrete (Grade 4.0)(AE)	71.0 C.Y.	
Reinforcing Steel	11,040 Lbs.	

Slope Protection (Riprap Stone)(24") and Articulated Block quantities are summarized on other plan sheets.

CITY OF WICHITA  
 GREENWICH ROAD  
**WEIR DETAILS**

**PB PARSONS BRINCKERHOFF**  
 Wichita, Kansas

SCALE: \_\_\_\_\_ DATE: 8/25/2009 DWG No. 35751A

K:\35751A\CADD\SHEETS\STRUCTURES\GRNWEIR.dgn SURV. PLOT CADD DES. DR. TR. CKD. APP.