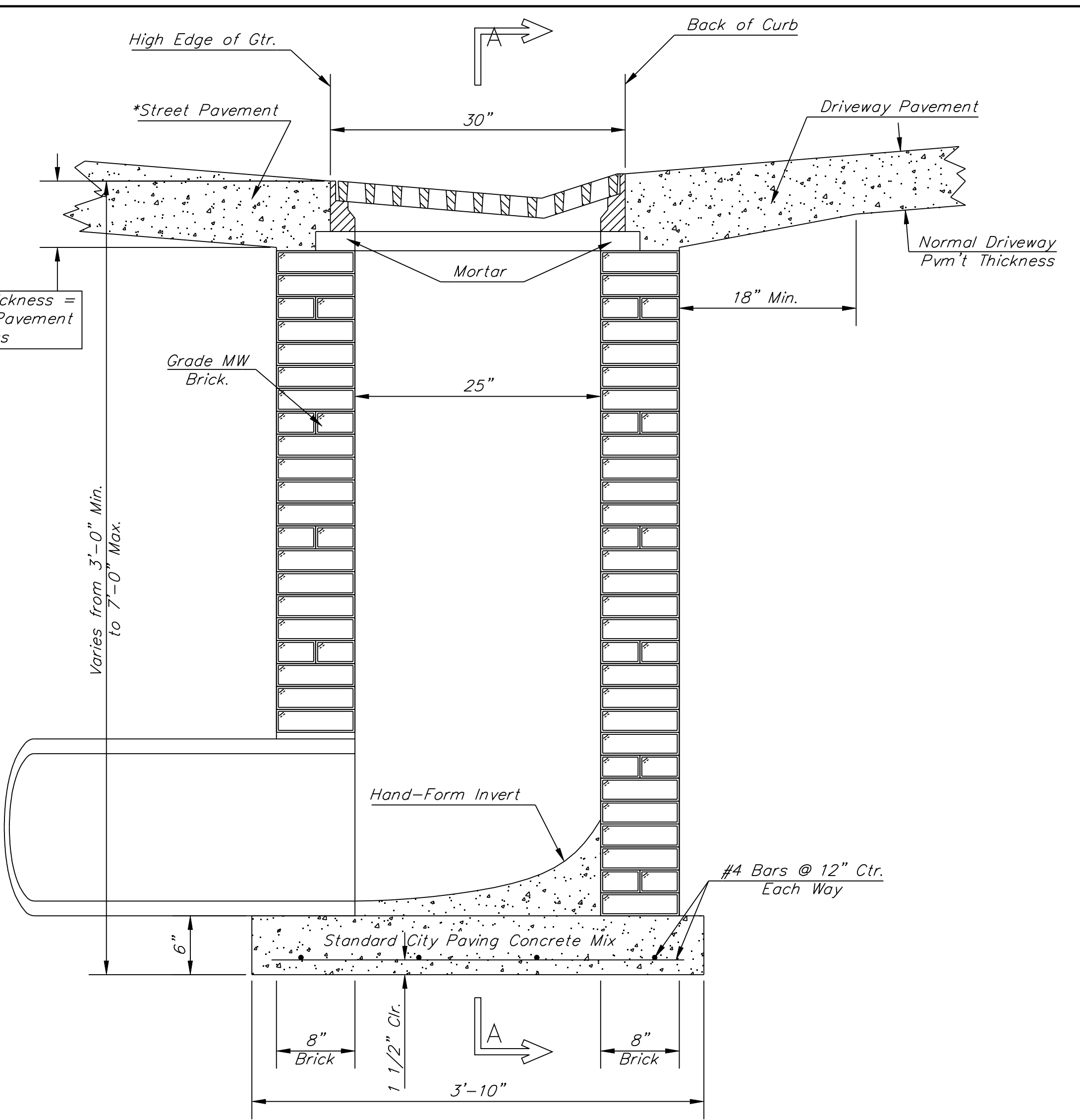
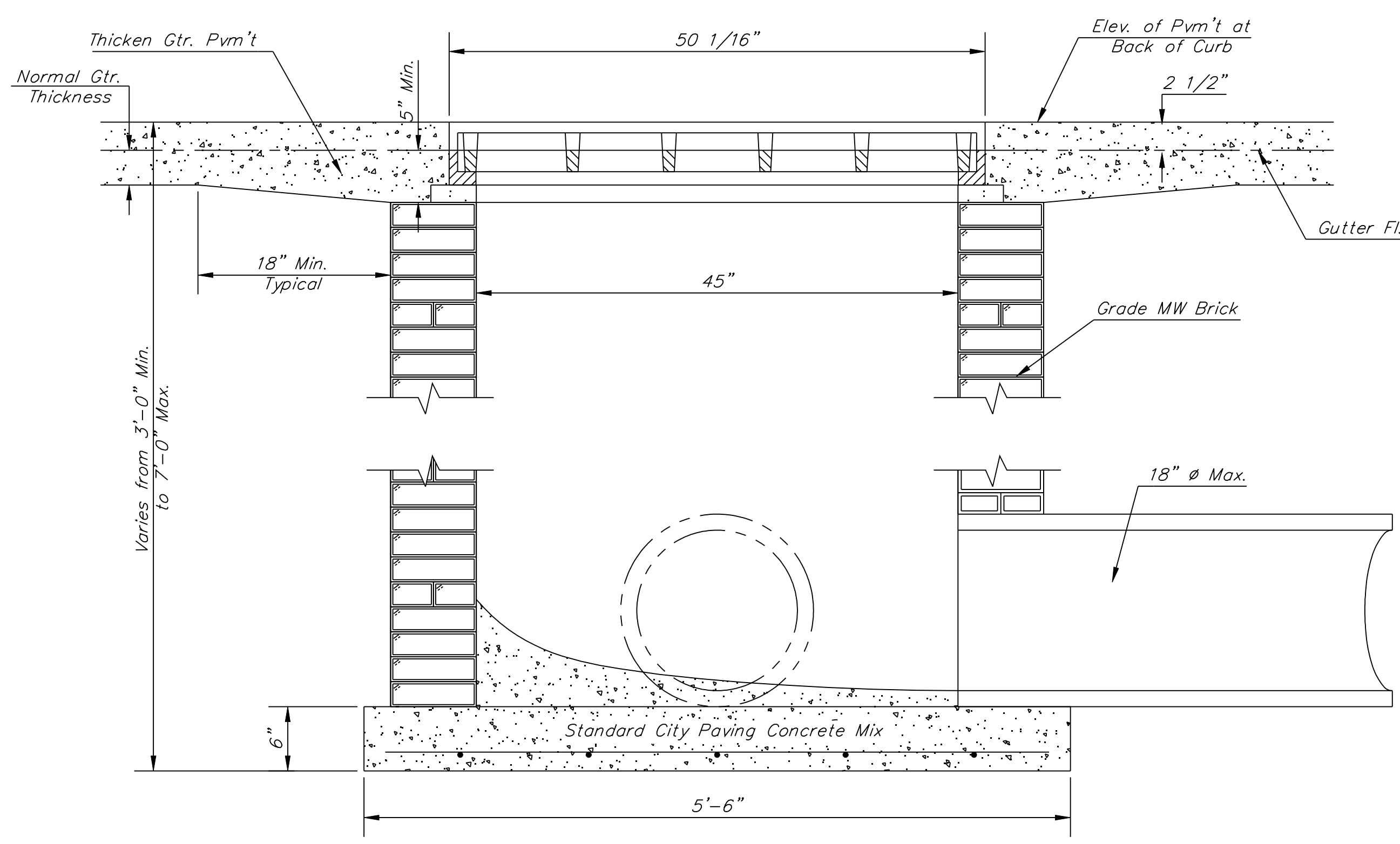


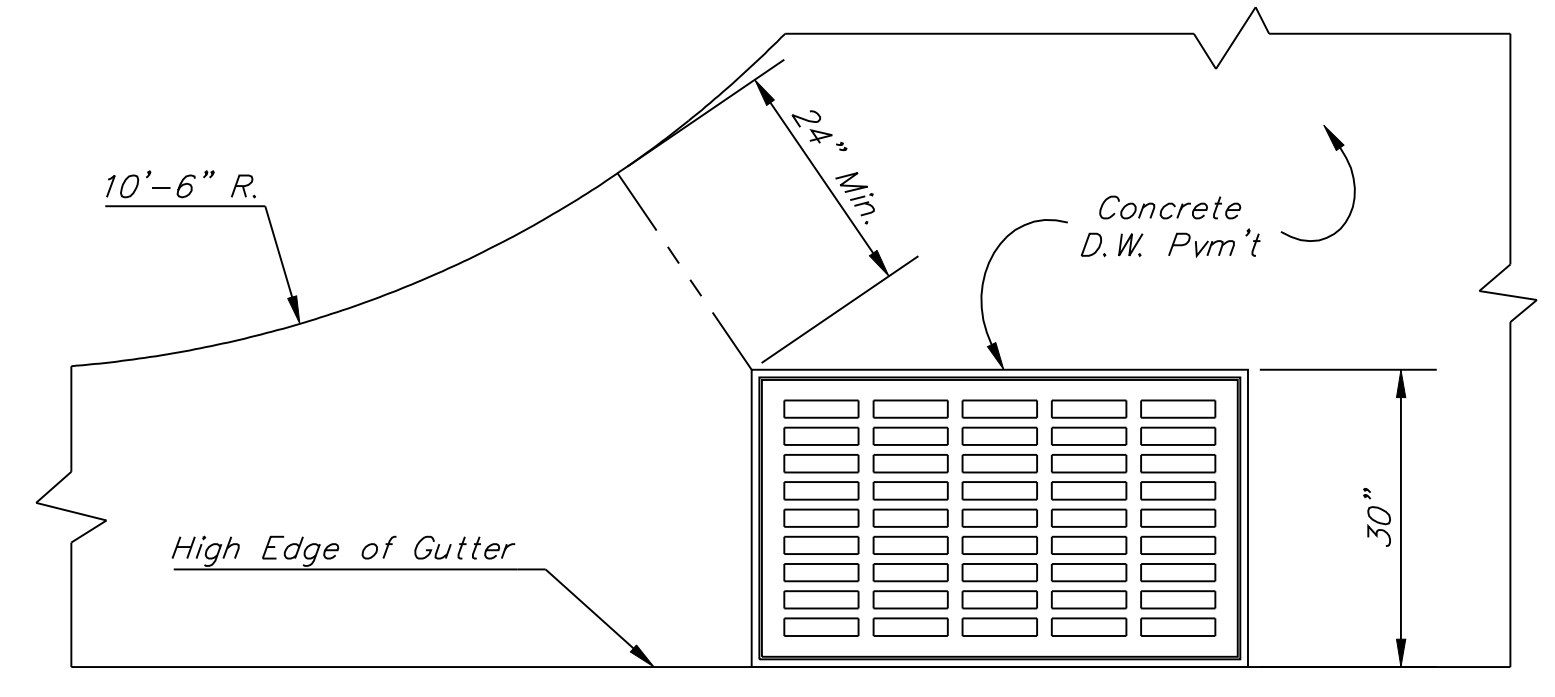
END OUTLET



SIDE OUTLET



SECTION A-A

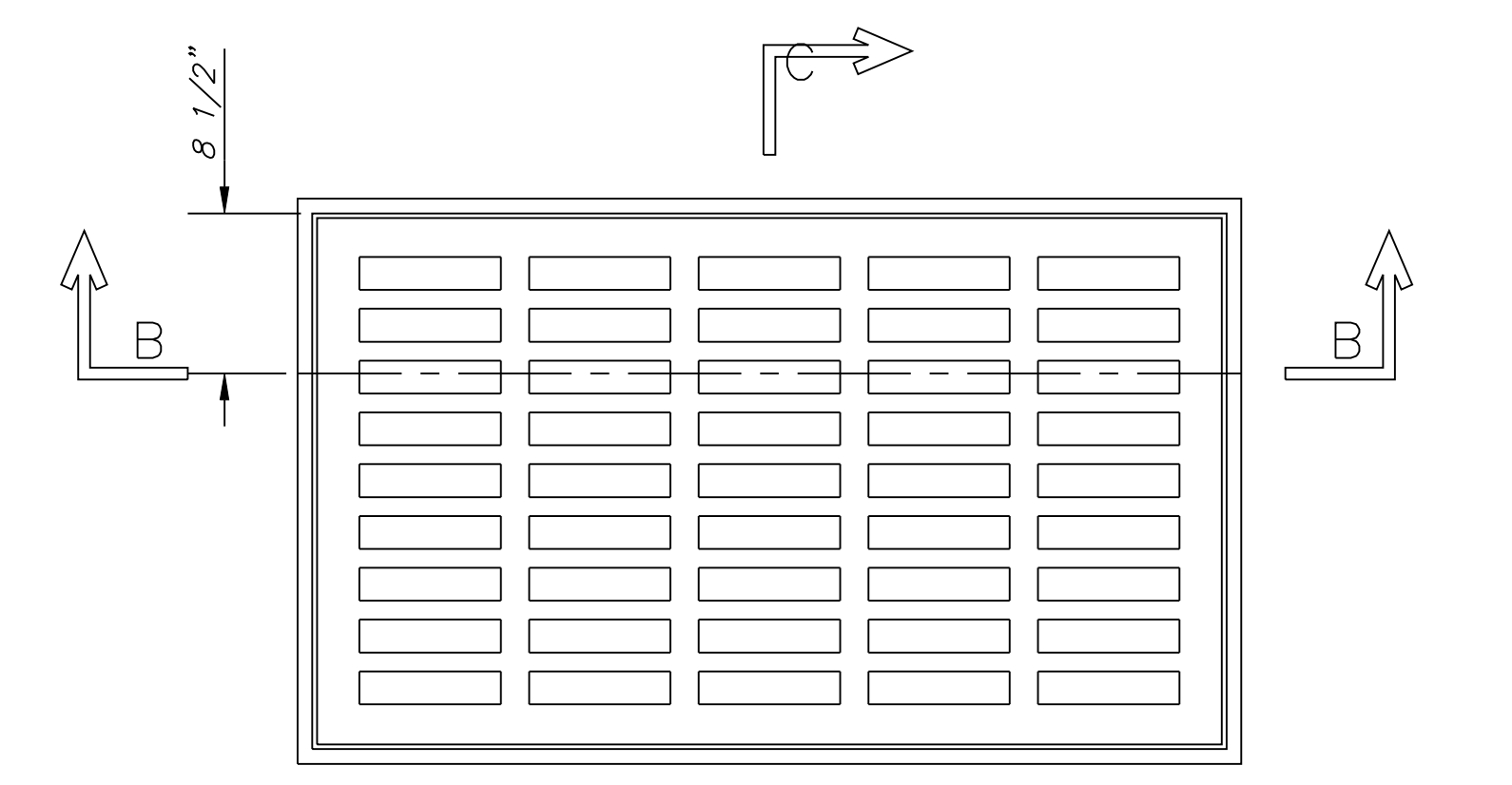


PLAN

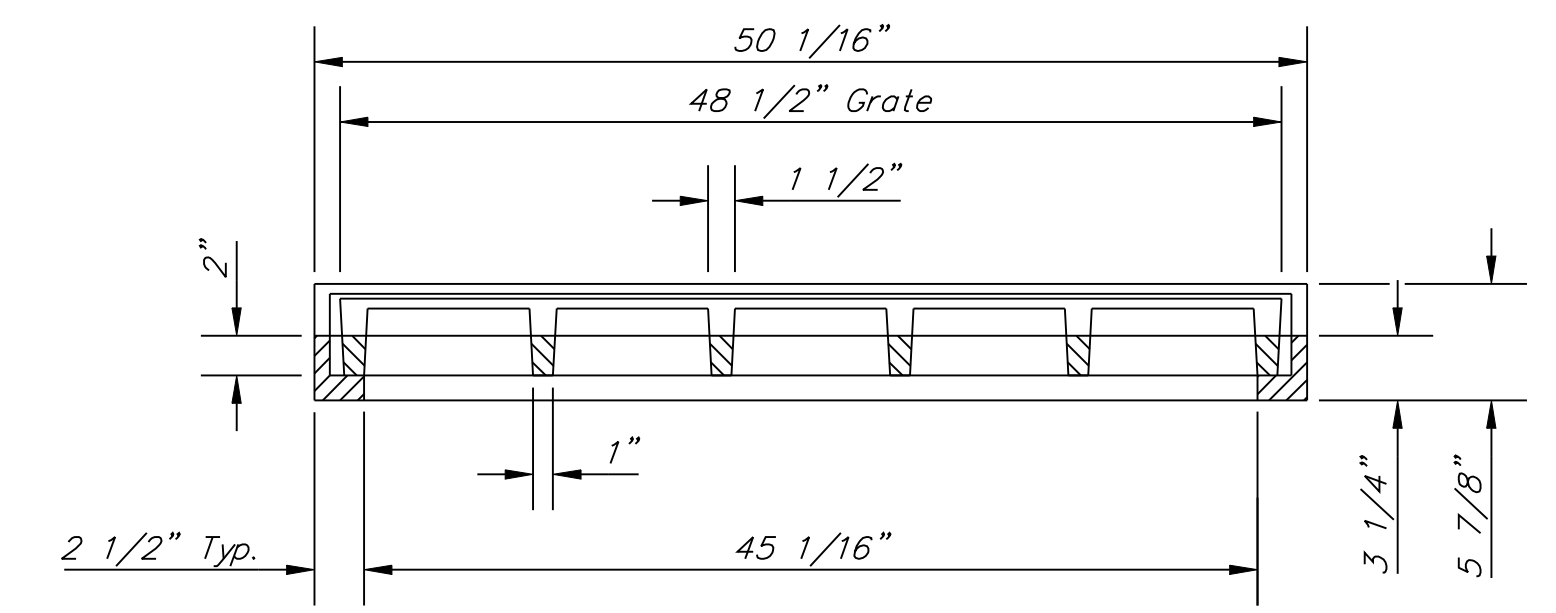
Radius Ramp Drive to be Constructed On Lot 3, Block 2 per City Standard

GENERAL NOTES

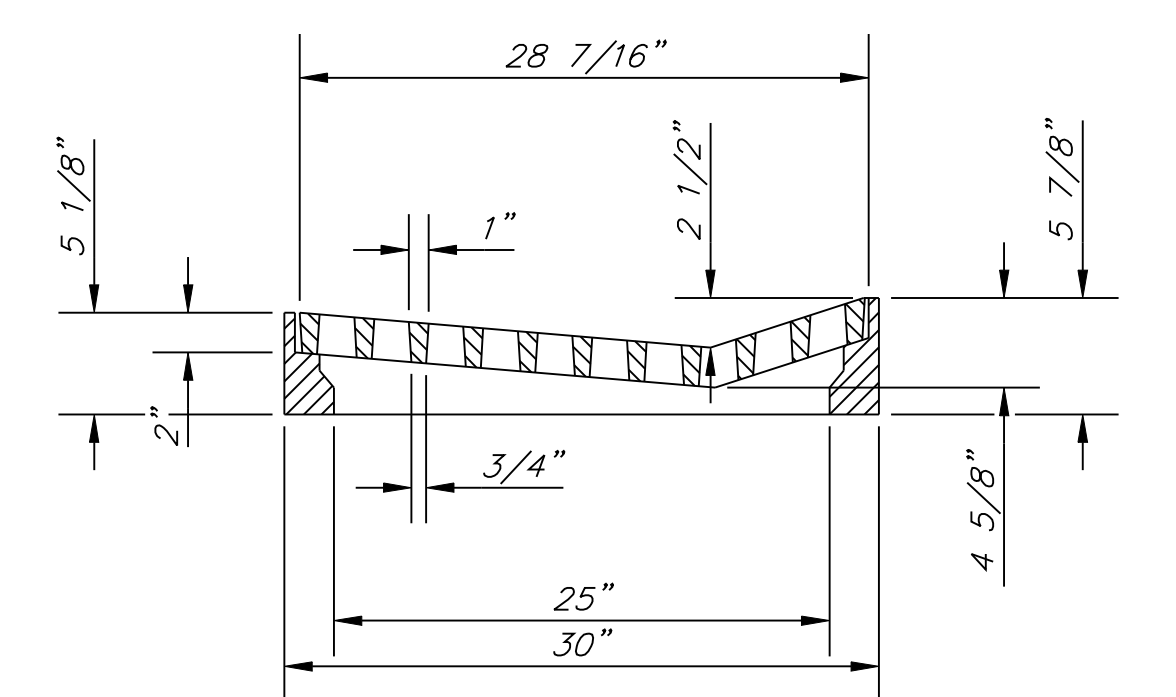
1. Grate frame to be installed on thin mortar cushion to insure full support along brick walls. Concrete used for inlet construction shall be concrete pavement mix.
2. Inlet invert shall be shaped with 8 sack sand mix concrete to create flow channels and to increase hydraulic efficiency such that the inlet will be self cleaning between all inlet and/or outlet pipes.
3. The ends of all pipes installed in inlets shall be cut off flush with the inside face of the inlet wall.
4. Inlet Frame and Grate to be Deeter #2095 of approved equal



PLAN



SECTION B-B



SECTION C-C

DEETER #2095 FRAME & GRATE
TOTAL WEIGHT: 705 lbs.

THE CITY OF WICHITA
W
CITY ENGINEER'S OFFICE
CITY HALL - SEVENTH FLOOR
455 NORTH MAIN STREET
WICHITA, KANSAS 67202
(316) 268-4301
(316) 268-4114 FAX

DRIVEWAY
GRATED INLET
SINGLE

JAMES L. ARMOUR P.E. - CITY ENGINEER

| | |
|--------------------------------|----------------------|
| PROJECT NUMBER 87 N-0386-01 | INDEX CODE XXXXXX |
| DATE MAR 96 | SHEET 92 OF 255 |