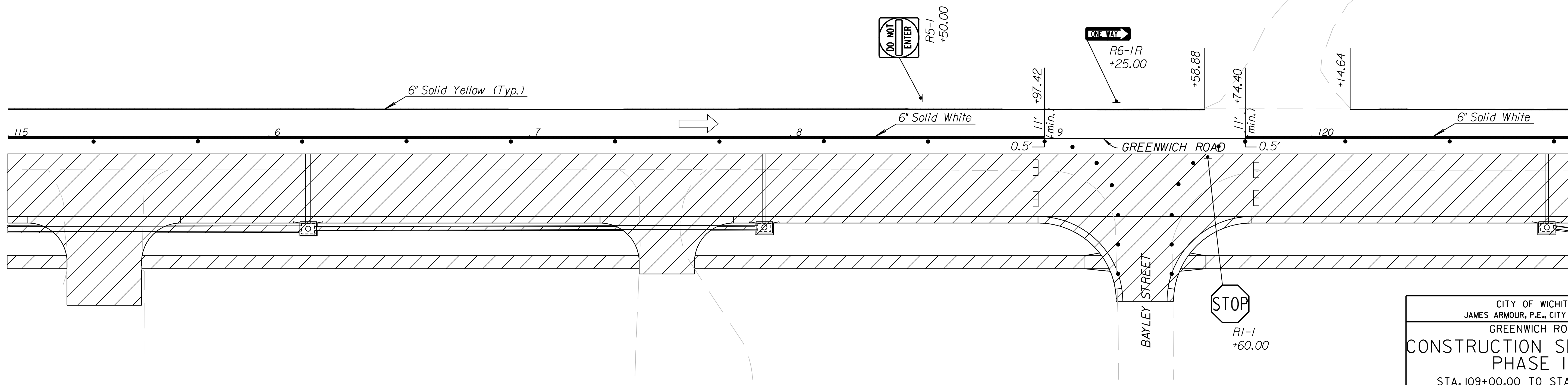
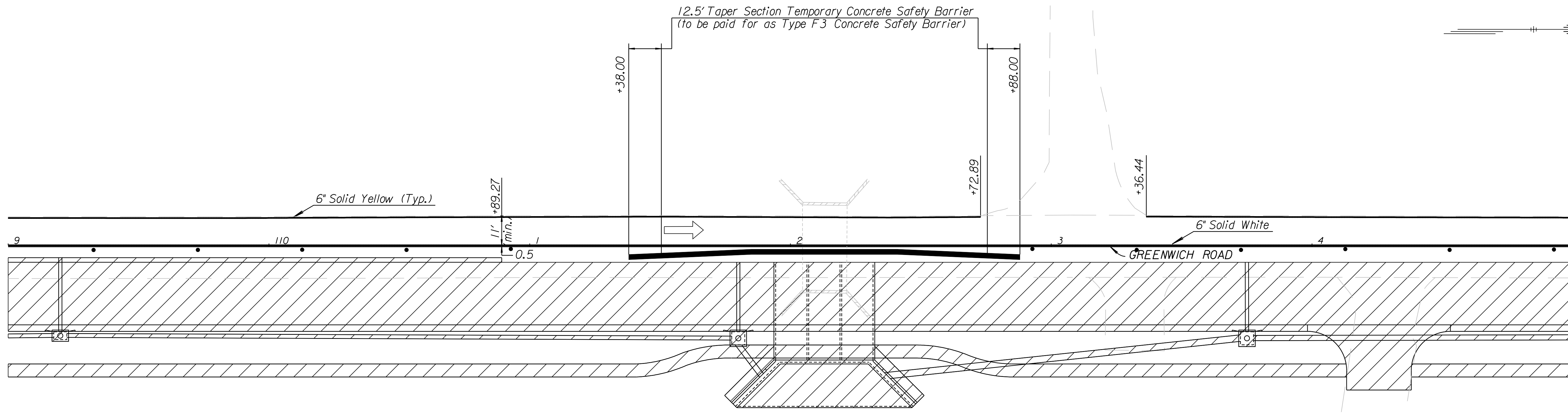


COUNTY	STATE	PROJECT NO.	YEAR	SHEET NO.	TOTAL SHEETS
SEDGWICK	KANSAS	87 N-0386-01	2009	170	255



K:\35751A\CADD\SHEETS\TRAFFIC\SEQUENCE\PHASE 1A\GRNWHPH03A.dgn  
 SURV. PLOT CADD DES. RAN DR. CKD. JJR APP.

CITY OF WICHITA JAMES ARMOUR, P.E., CITY ENGINEER GREENWICH ROAD		
<b>CONSTRUCTION SEQUENCING          PHASE 1A</b> STA. 109+00.00 TO STA. 121+00.00		
PARSONS BRINCKERHOFF Wichita, Kansas		
SCALE 1"=20'	DATE 11/23/2009	DWG. NO. 35751A