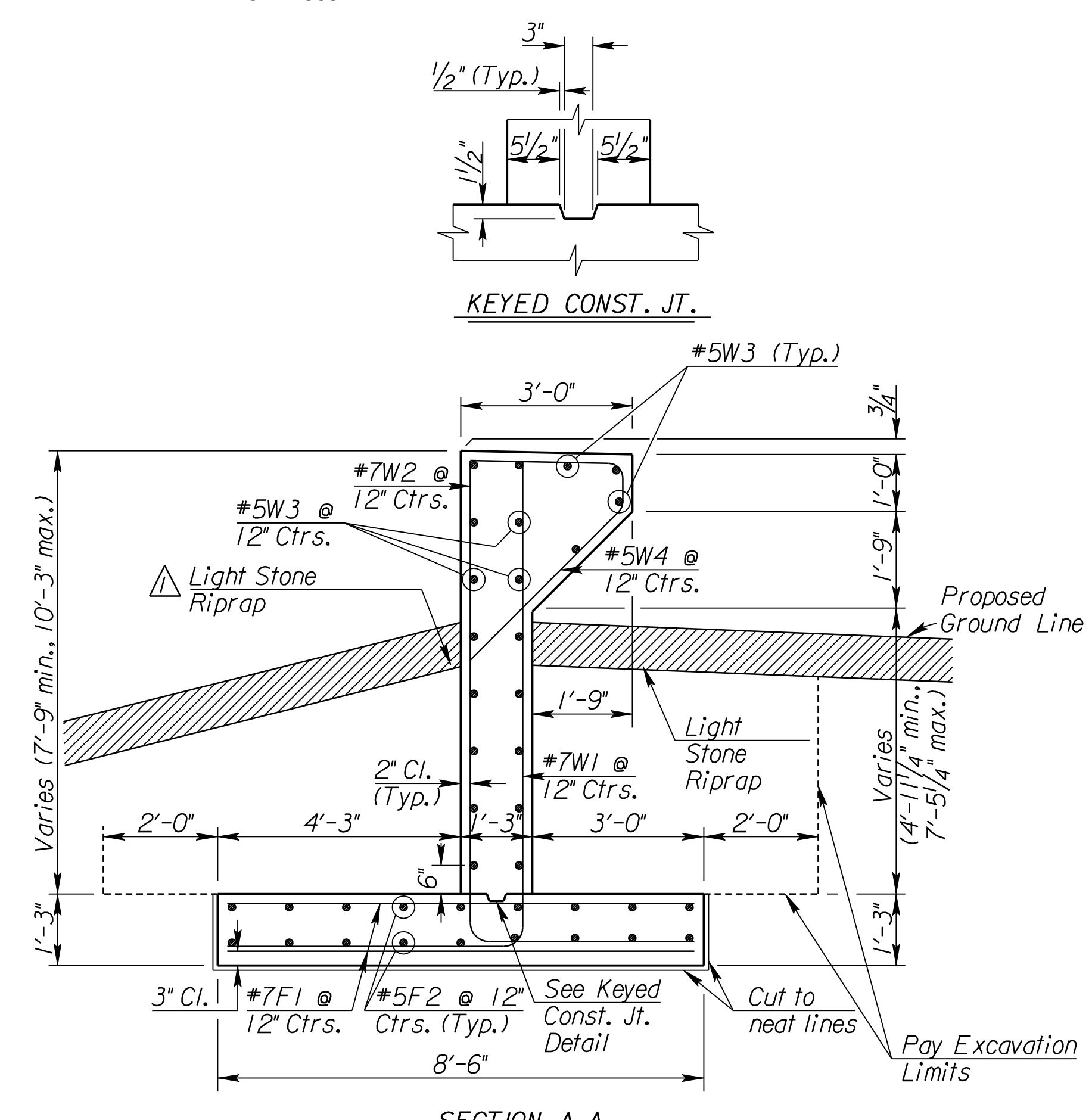
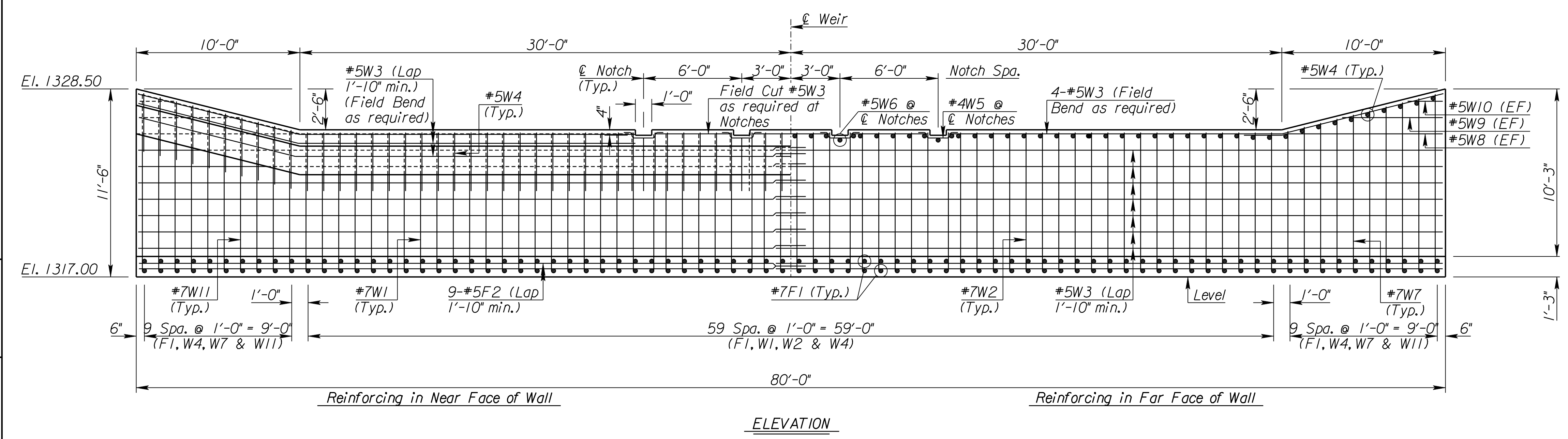
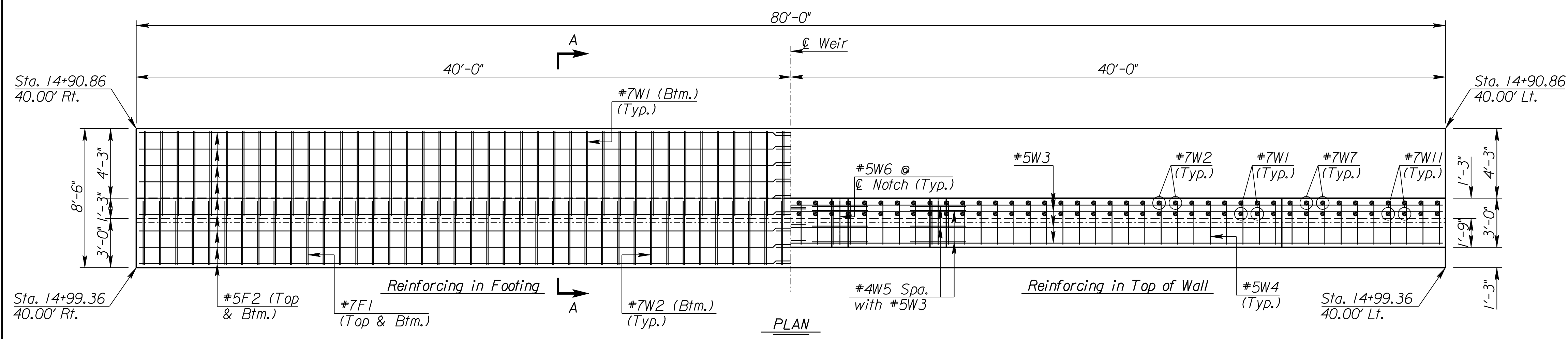


LEGEND
 EF = Each Face
 NF = Near Face
 FF = Far Face

Revised 12/30/2009



SECTION A-A
 Limits and Details for Slope Protection and Articulated Concrete Block Mats shown on other plan sheets. Space 2-#7F1 with #7W1, #7W2 & #5W4 as shown in Elevation.

GENERAL NOTES

EXCAVATION: Excavation limits are to neat concrete lines in the footing; and 2'-0" from footing, vertically from the top of footing to the top of proposed ground. Excavate bottom and sides of footing to neat lines.

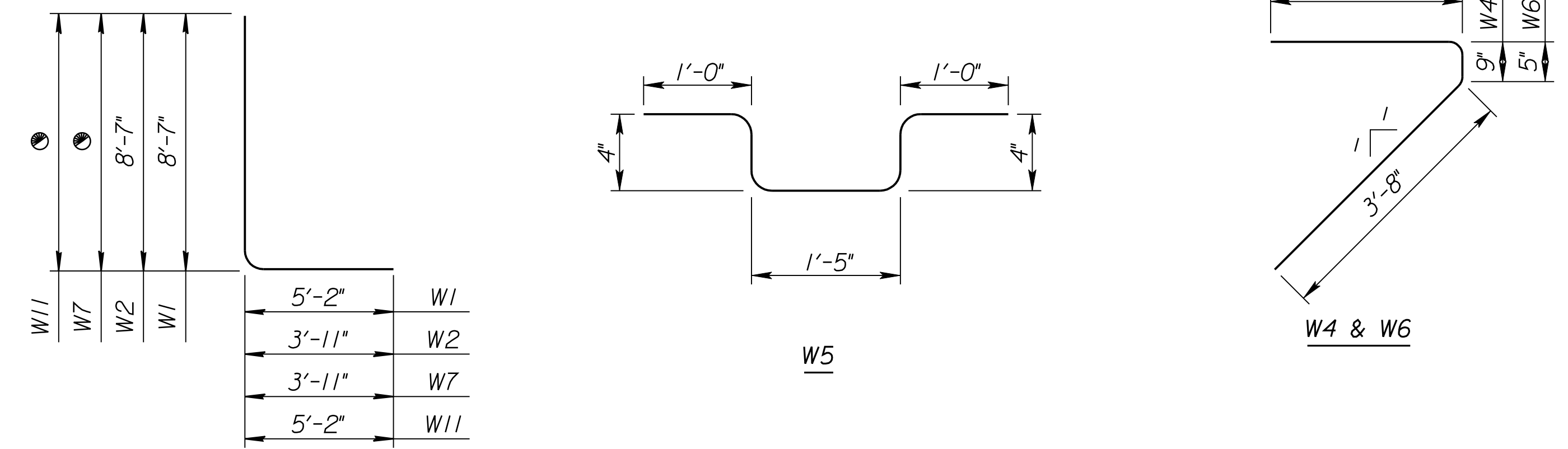
BACKFILL COMPACTION: Compact backfill beneath the slope protection and articulated blocks.

CONCRETE: Retaining wall concrete is bid as Concrete (Grade 4.0)(AE). Bevel all exposed edges of all concrete with a 3/4 inch triangular molding, except as otherwise noted on the plans. Construction joints may only be used at locations shown.

REINFORCING STEEL: All reinforcing steel dimensions are to the centerline of bars unless otherwise noted. All reinforcing steel shall conform to the requirements of ASTM A615, Grade 60.

BAR LIST			
Mark	Size	Number	Length
F1	#7	160	8'-2"
W1	#7	60	13'-9"
W2	#7	60	12'-6"
W7	#7	20	*
W11	#7	20	*
F2	#5	36	40'-9"
W3	#5	40	40'-9"
W4	#5	80	7'-1"
W6	#5	4	6'-9"
W8	#5	4	11'-10"
W9	#5	4	6'-1"
W10	#5	4	2'-1"
W5	#4	16	4'-1"

* See Bending Diagram



W1, W2, W7 & W11
 Increase from 8'-8" to 10'-11" by 3" increments (cut 2 each length)

SUMMARY OF QUANTITIES	
Class III Excavation	211 C.Y.
Concrete (Grade 4.0)(AE)	71.0 C.Y.
Reinforcing Steel	11,040 Lbs.

Slope Protection (Riprap Stone)(24") and Articulated Block quantities are summarized on other plan sheets.

CITY OF WICHITA
 GREENWICH ROAD
WEIR DETAILS

PB PARSONS BRINCKERHOFF
 Wichita, Kansas

SCALE: _____ DATE: 8/25/2009 DWG No. 35751A

K:\35751A\CADD\SHEETS\STRUCTURES\GRNWEIR.dgn APP. CKD. TR. DR. CADD DES. SURV. PLOT