

STORM WATER SEWER & POND TO SERVE

# Killarney Plaza First Addition

Part of Lot 1, Block 1

Private Project Number: 2009 PPS (607861)

CITY OF WICHITA, KANSAS

James Armour, P.E. City Engineer

October 2009

AS\_BUILT PLANS

Contractor: Mies

Inspector: Don Eddingfield, Baughman Co.

pdf's by: KEK, 12/28/09

### General Notes

- Contractor will be required to provide notice to utility companies a minimum of forty-eight (48) hours prior to any excavation, as follows:
  - Kansas One-Call 687-2470
  - The Contractor must notify the following in case of an emergency:
    - Cox Communications 262-4270
    - Kansas Gas Service Company 1-888-482-4950
    - Westar Energy (Electric) 383-8650
    - Black Hills Energy (Gas) 1-800-303-0357
    - AT&T 1-800-286-8313
    - City of Wichita Water Dept. (Water) 262-6000
    - City of Wichita Sewer Maint. (SS) 262-6000
    - City of Wichita Storm Sewer Maint. 268-4090
    - City of Wichita Traffic Maint. 268-4034
- Utility service lines, poles, valve boxes, meters, etcetera are to be adjusted as necessary by others prior to construction unless the plans specifically call for their adjustment by the Contractor or unless the plans specifically identify a utility to be adjusted by its owner during construction. Existing utilities and their location, as shown on the plans represent the best information obtainable for design and shall be field verified. The contractor will be required to work around existing utilities within the right-of-way which do not conflict with proposed construction.
- All storm sewers and appurtenances shall be installed in accordance with the most recent edition of City of Wichita, Kansas Standard Specifications for the Construction of City Projects.
- All disturbed R/W areas not intended for pavement or sidewalk construction shall be seeded with Kansas Premium Fescue Blend at a rate of 8 lb./1000 Sq. Ft., fertilized with a 16-20-6 ratio at a rate of 4 lb./1000 Sq. Ft., and mulched with Prairie Hay at a rate of 92 lb./1000 Sq. Ft. Mulch shall be "patted" with forks or punched into soil to reduce loss due to wind.
- Contractor shall not start work on the project until the project inspector is assigned to the project and is present on the site. Contractor shall not start on the project until all necessary bonds and permits have been obtained. Bonds may include but are not limited to Statutory, Performance & Maintenance for areas in public right-of-way and easement. For projects within the City of Wichita contact Tom Mason (268-4574). Any work done without inspection will be required to be uncovered for inspection.
- Rubble from the removal of miscellaneous structures and excess excavation which is to be wasted shall be disposed of on sites to be provided by the Contractor. These sites shall be approved by the Engineer as to suitability, appearance and site location. Locations that, in the opinion of the Engineer, will leave an unsightly appearance will not be approved. All disposal sites must be approved by the Kansas Department of Health and Environment. Material either stockpiled or disposed of in a flood plain would require a Kansas State Board of Agriculture permit. Any material dumped in waters of the United States or wetlands is subject to U.S. Corps of Engineers permitting regulations. Any material buried or stockpiled beyond approved construction limits would require additional archaeological investigations unless buried in a previously approved borrow location.

### Bench Mark:

"□" Chiseled on Top of Curb Approx. 21' North of NE Property Corner of Lot 1, Block 1 Killarney Plaza First Addition to Wichita, Sedgwick County, Kansas.

Elev. = 1389.58 NGVD 29

### Legal Description

A Parcel 1 of Lot 1, Block 1 Killarney Plaza First Addition to Wichita, Sedgwick County, Kansas

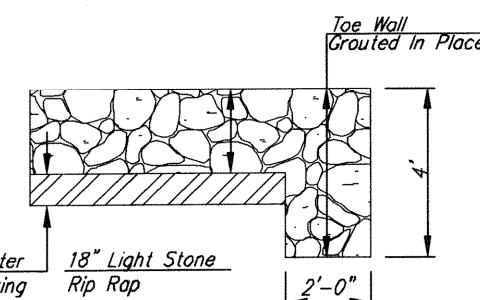
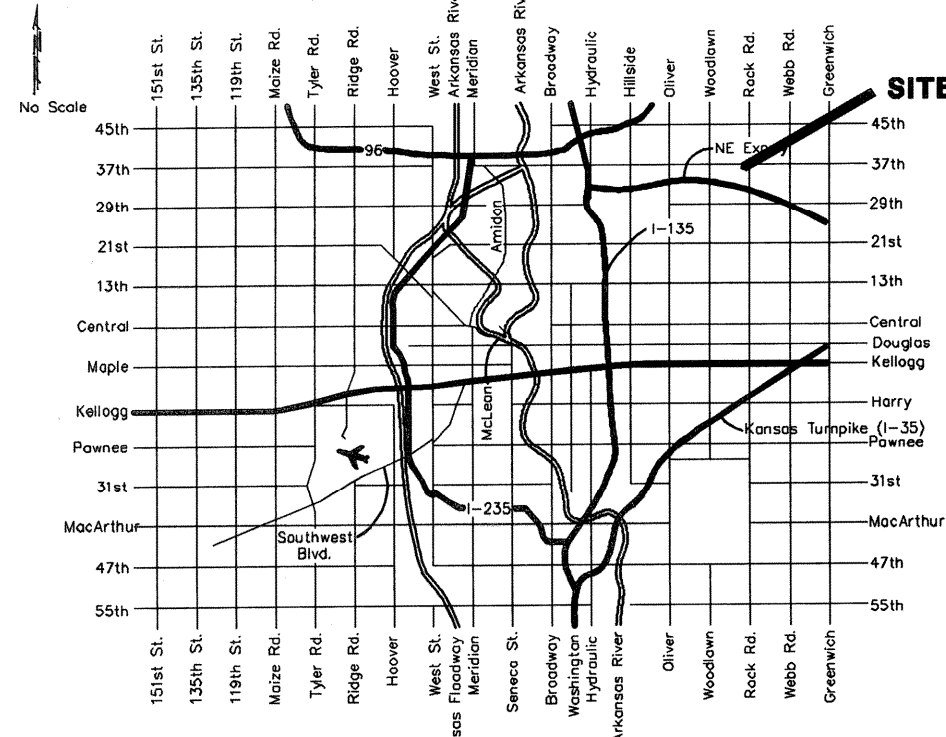
APPROVED AS NOTED  
BY CITY ENGINEER OF WICHITA

Storm Sewers *Julianne Kellerman 10-27-09*

NOTE TO CONTRACTORS

Installation, inspection and testing for this project is to be provided by a Licensed Consulting Engineering Firm under contract with the Owner/Developer. Said inspection to be in accordance with the City of Wichita standard construction engineering practices and certified by a Licensed Professional Engineer. No work shall be performed in dedicated easements or public right-of-way by the Contractor without such inspection nor shall any work be commenced without written authorization by the City Engineer. All Construction and Materials shall comply with the City of Wichita Specifications and Standards (on file and available in the City Engineer's Office).

### Location Map

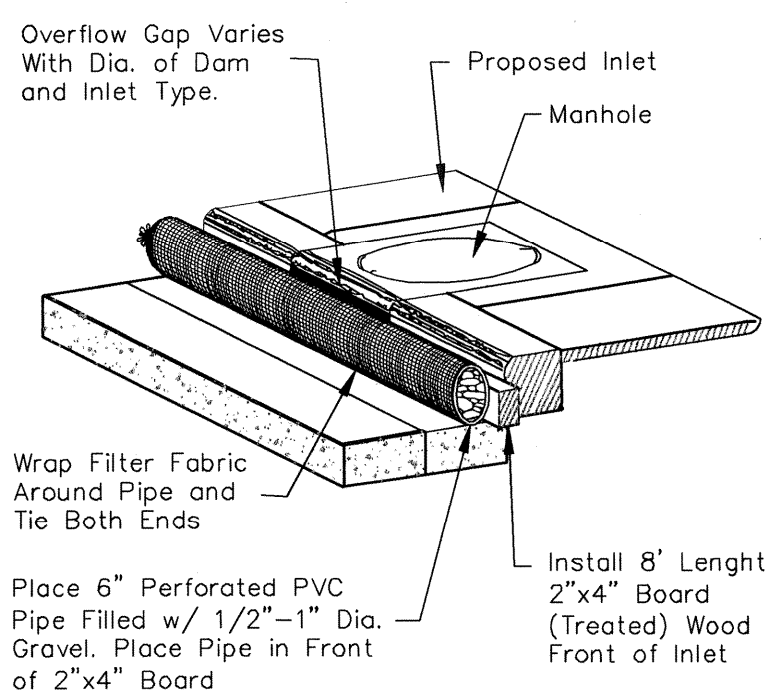


- NOTES:
- TOEWALLS SHALL BE INSTALLED AT LOCATIONS SHOWN IN THE DETAIL.
  - GROUTING OF THE SURFACE RIPRAP SHALL NOT BE PERFORMED.
  - ALL RIPRAP FOR THIS PROJECT SHALL BE NATURAL STONE. NEITHER CONCRETE, FABRIC ENVELOP, NOR PREMIXED DRY PACKAGE CONC. BAG ALTERNATED WILL BE ALLOWED.
  - THE RIPRAP TOEWALL SHALL BE GROUTED IN PLACE FOR THE FULL DEPTH, EXCEPT THE SURFACE.

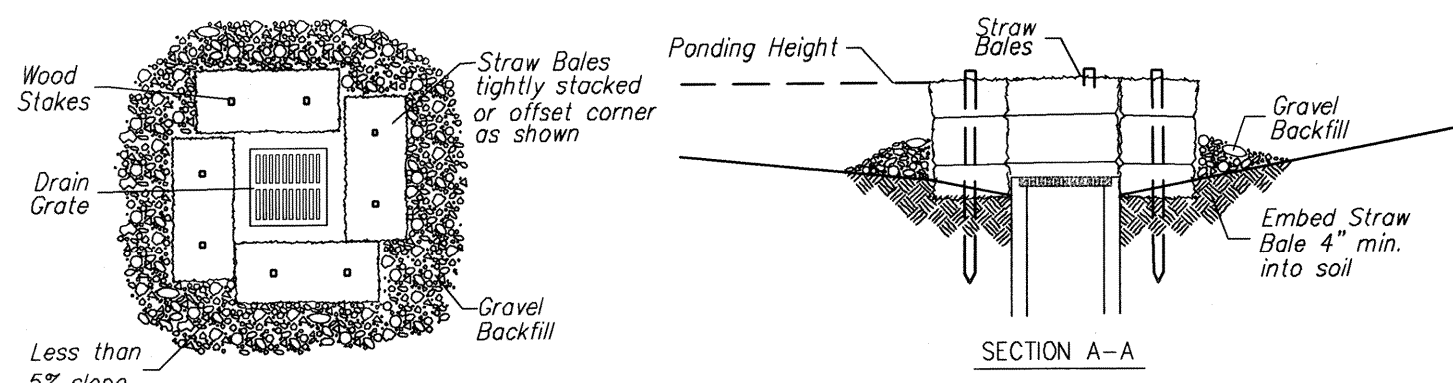
### 1 RIPRAP TOEWALL TYP. SECTION

Contractor To Use Extreme Caution When Excavating Near Utility Lines. Contractor To Hand Dig To Expose All Utility Lines Prior To Construction. Verify Depth To Determine Conflict If Any.

Contractor Shall Follow All Applicable Best Management Practices (BMP) For Erosion Control.



### 3 TYPE 1 INLET PROTECTION



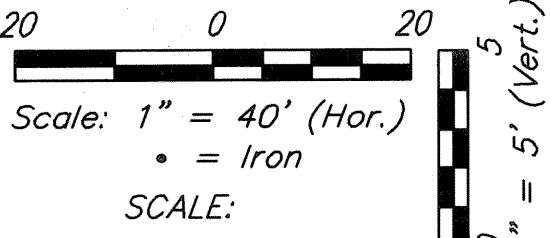
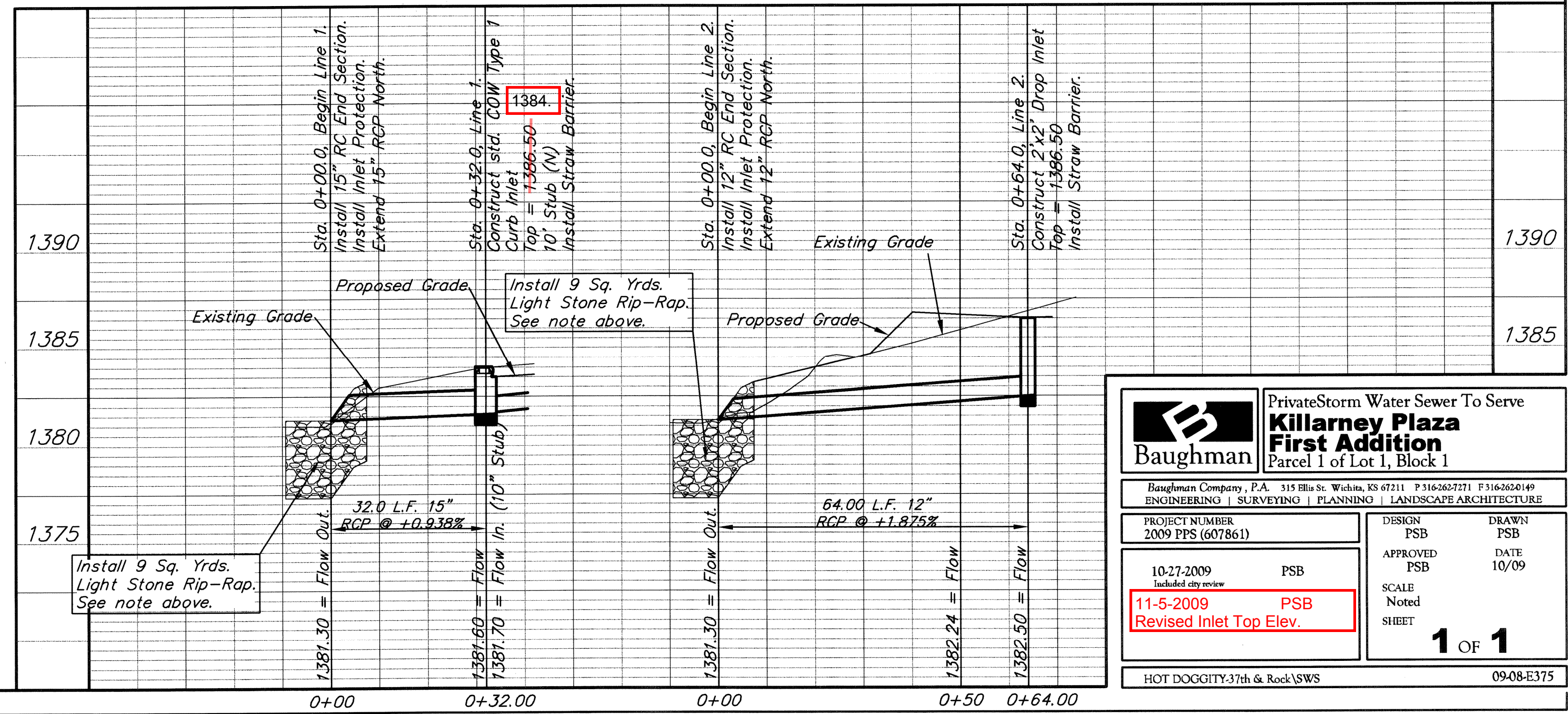
### 2 STRAW BALE BARRIERS FOR AREA INLETS

Sta. 0+00.0, Begin Line 1. Install 15" RC End Section. Install Sediment Barrier. Extend 15" RCP North.

Sta. 0+32.0, Line 1. Construct Std. COW Precast Type I Curb Inlet Top = 1385.00 - 1384.00 10" Stub (N). Install Inlet Protection. (Dimensions to center inside face)

Sta. 0+00.0, Begin Line 2. Install 12" RC End Section. Install Sediment Barrier. Extend 12" RCP North.

Sta. 0+64.0, Line 2. Construct Std. COW precast 2'x2' Area Inlet Top = 1386.50 Install straw bale barrier.



Private Storm Water Sewer To Serve  
**Killarney Plaza First Addition**  
Parcel 1 of Lot 1, Block 1

Baughman Company, P.A. 315 Ellis St. Wichita, KS 67211 P 316-362-7171 F 316-262-0149  
ENGINEERING | SURVEYING | PLANNING | LANDSCAPE ARCHITECTURE

PROJECT NUMBER 2009 PPS (607861)	DESIGN PSB	DRAWN PSB
10-27-2009 Included city review	PSB	DATE 10/09
11-5-2009 Revised Inlet Top Elev.	PSB	SCALE NOTED
		SHEET 1 OF 1

HOT DOGGITY: 37th & Rock/USWS 09-08-E375