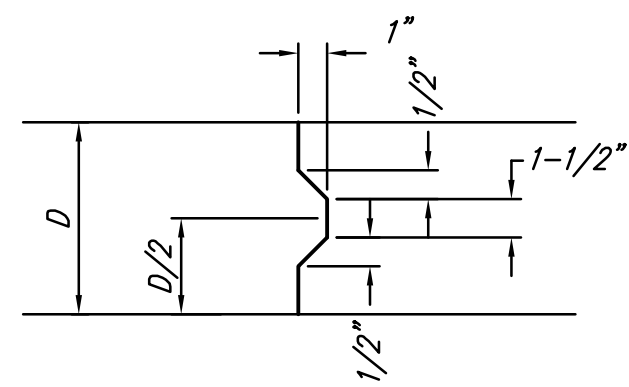
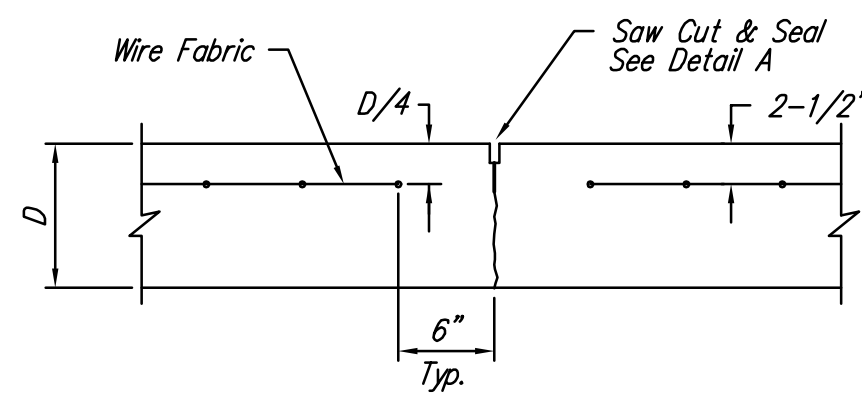


EXPANSION JOINT

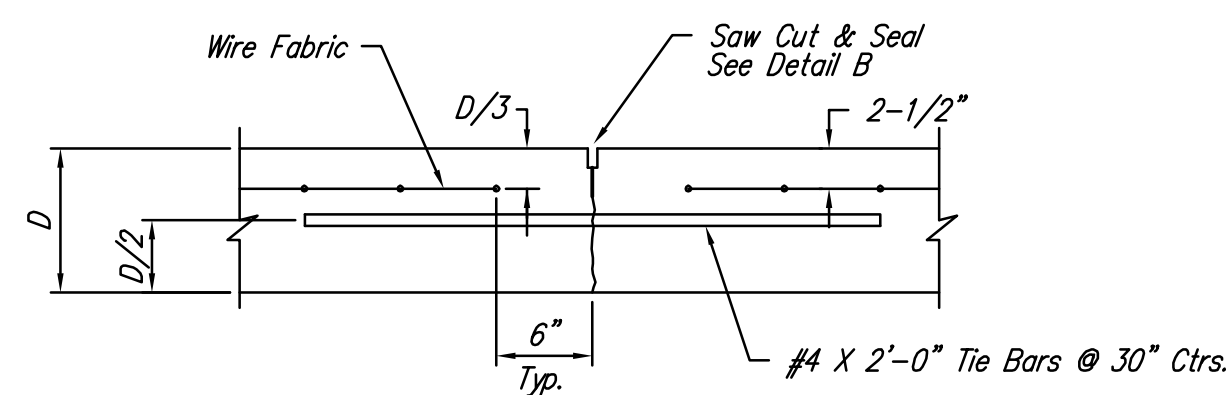
NOTE: Extra Thickness to be Subsidiary to Price of Square Yards Pavement



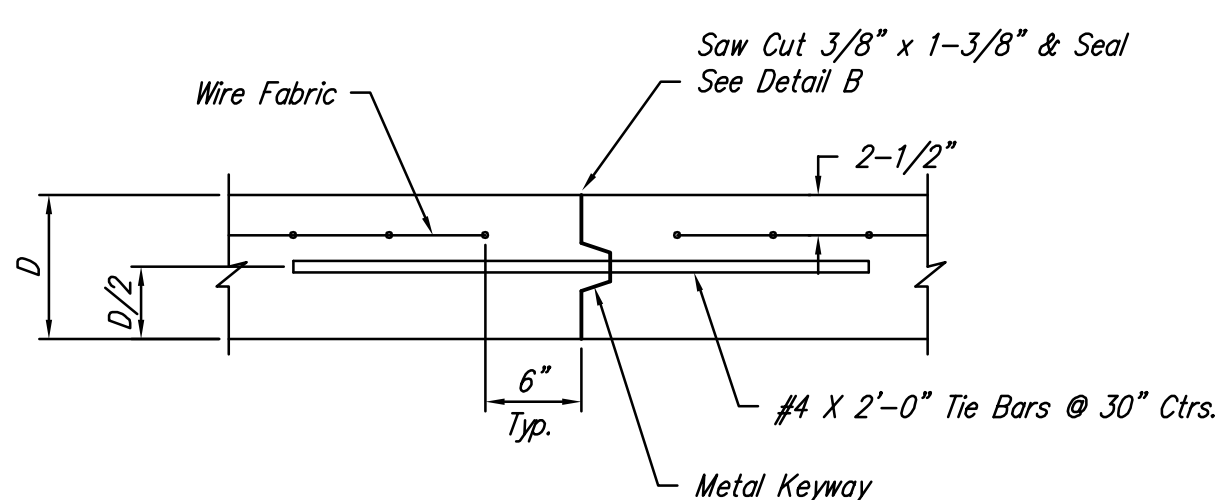
KEYWAY DETAIL



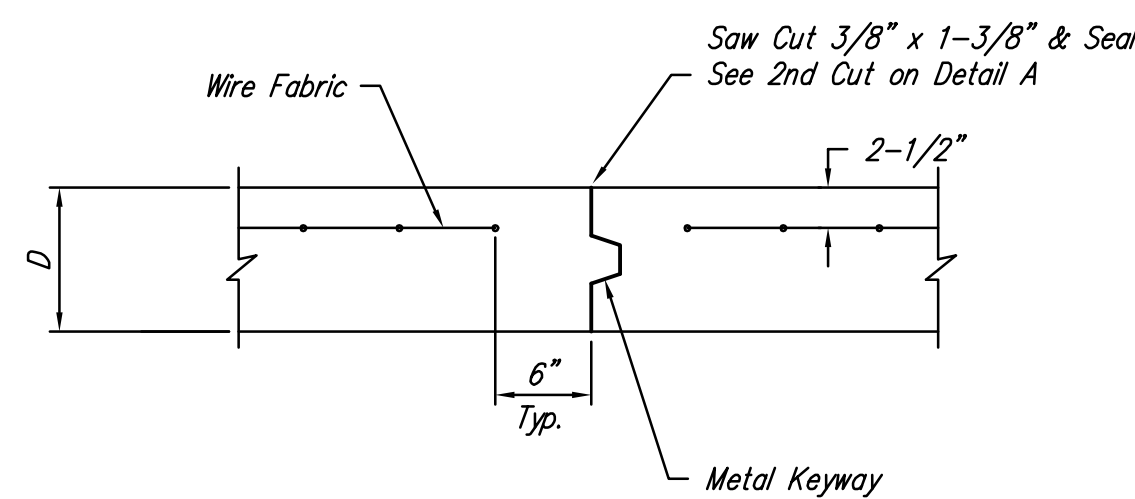
CONTRACTION JOINT DETAIL (C.J.)



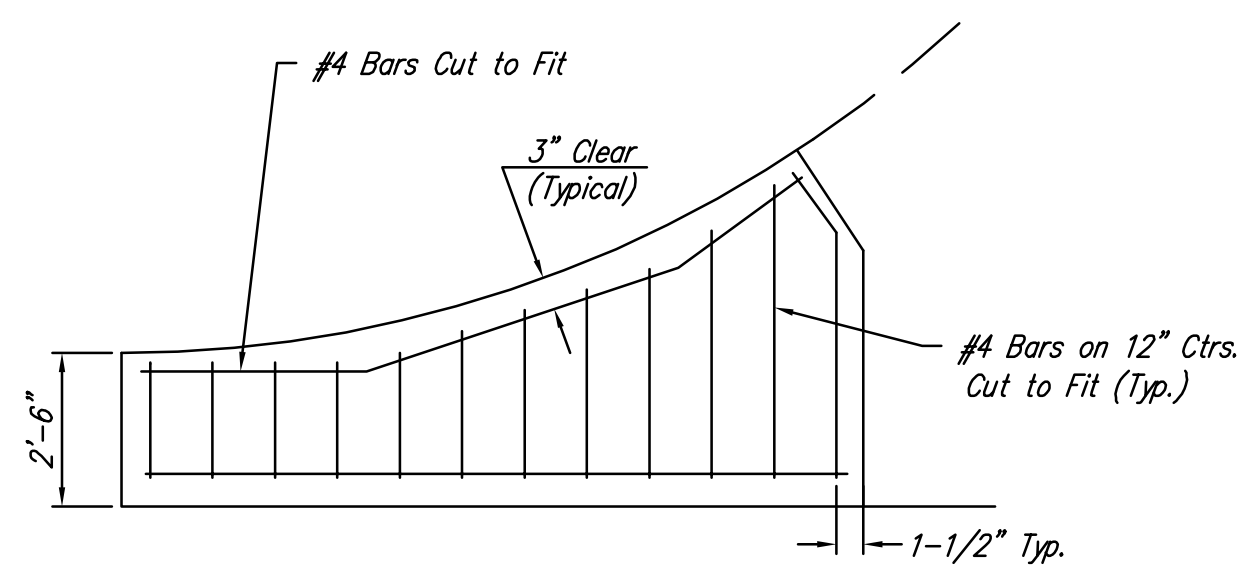
LONGITUDINAL JOINT DETAIL (L.J.)



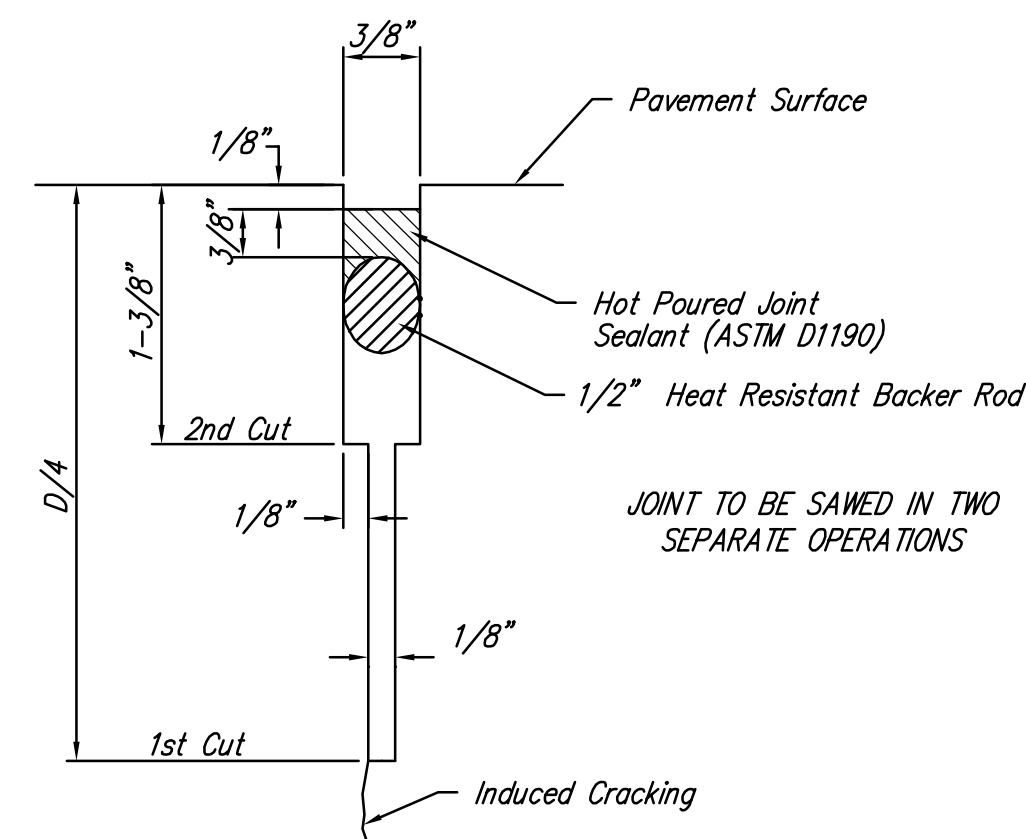
OPTIONAL LONGITUDINAL JOINT DETAIL (L.J.) (CONSTRUCTION JOINT)



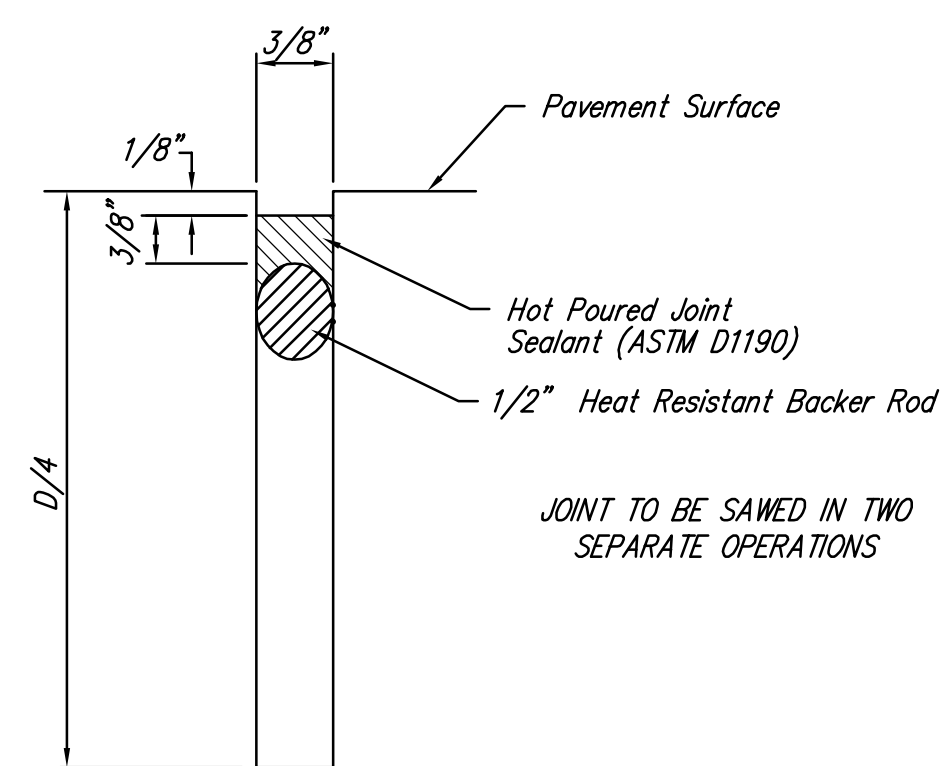
OPTIONAL CONTRACTION JOINT (CONSTRUCTION JOINT)



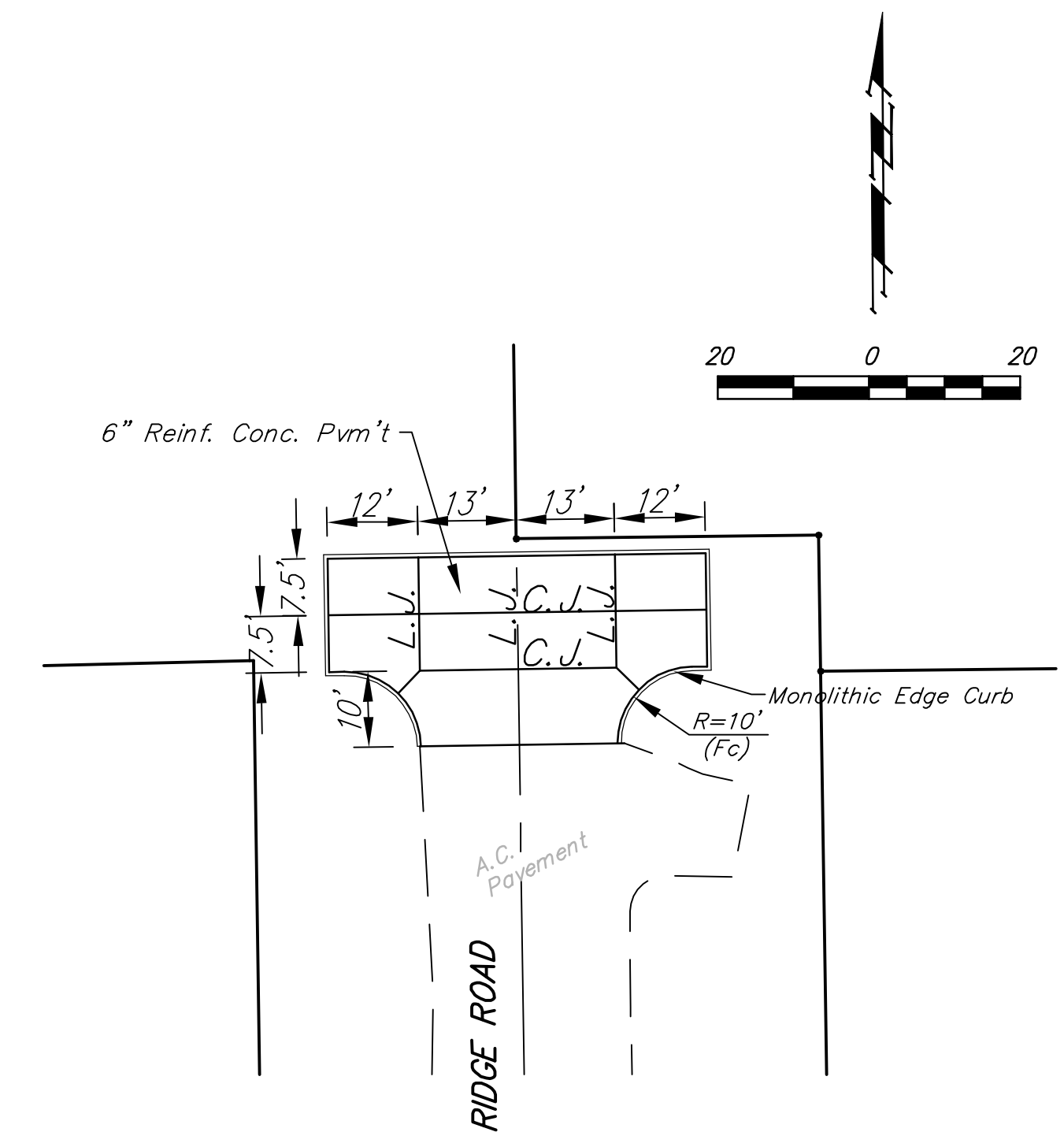
WING REINFORCING DETAIL



SAW JOINT DETAIL "A"



SAW JOINT DETAIL "B"



JOINT DETAILS

		RIDGE 400 ADDITION	
		JOINT DETAILS	
PROJECT NUMBER 472-84798		DESIGN STAFF	DRAWN STAFF
APPROVED		DATE	12/09
REVISIONS:		SCALE	NONE
		SHEET	2 OF 14
E:\envq\Ridge 400\Joins		09-09-E377	